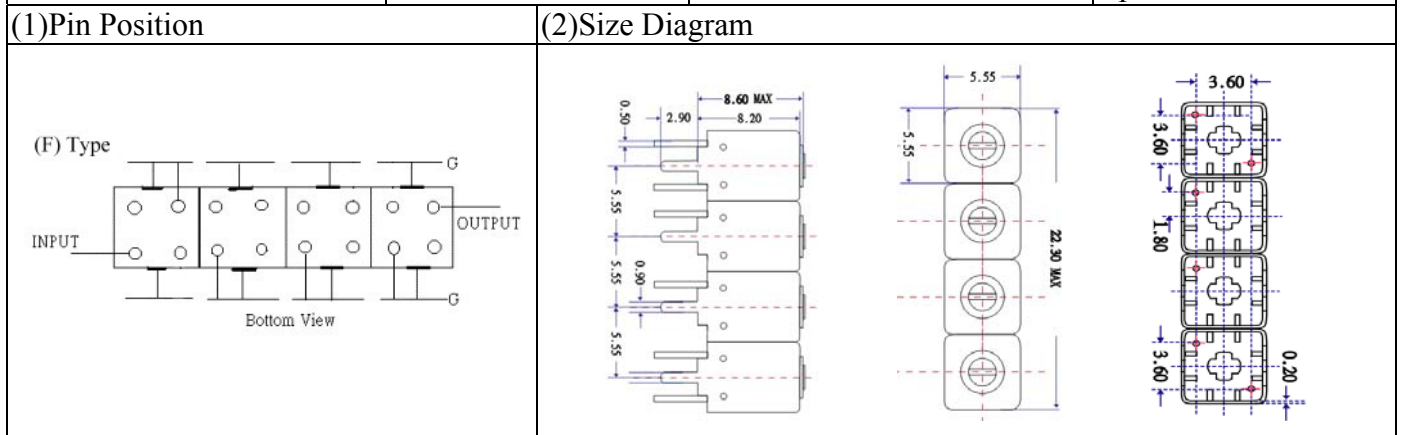


# VHF UHF Helical Filter Specification Sheet

Customer Name		Temwell's Part No.	TFW4510F-987M
Approval No. /dated	201803069CD	Temwell's Print name	4510F 987M
Work Instruction No.	201803069CD	Date	Apr.12.2018



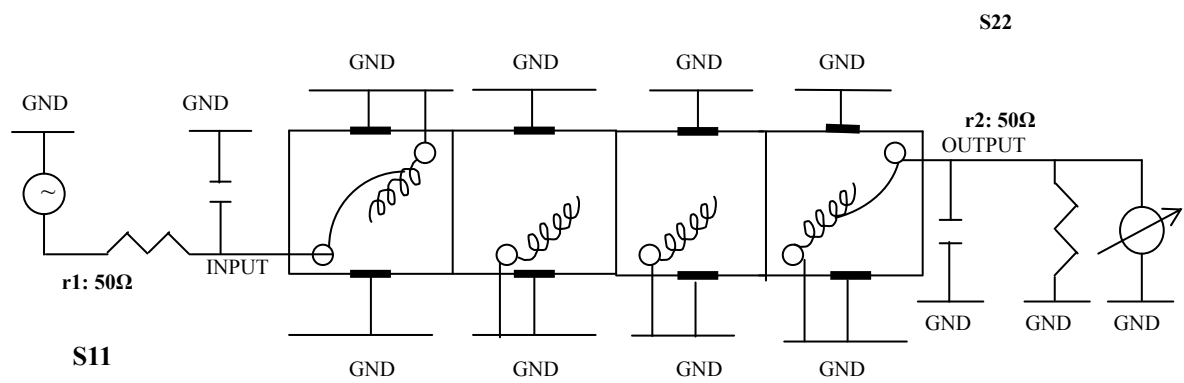
(3) Electric Characteristic			
Item		Specify	Performance
Center Freq.(Fo ) +/- 0.5 %		987 MHz	987 MHz
Insertion Loss		Typ. 3.0 dB	2.64 dB
-3 dB Bandwidth		Typ. 39 MHz	52.4 MHz
Sensitivity (Attenuation)	Fo - 100 MHz	Typ. 55 dBc	60 dBc
	Fo + 100 MHz	Typ. 42 dBc	48 dBc
	Fo - ( )MHz	Typ. dBc	dBc
	Fo +( )MHz	Typ. dBc	dBc
Return Loss		Min. 12 dB	24.4 dB
Ripple		< 1 dB	dB
Impedance		In / Out : 50 Ω	In / Out : 50 Ω

(4) Torque for Tuning Screw > 60gf · cm

(5) Temperature Condition:	
Operating Temperature	0°C ~ +60°C
Storage Temperature	-20°C ~ +70°C

(6) Input Power > 0.5Watt

(7) Measuring Circuit: ※Easy to match Impedance S11/S22 50Ω by parallel with about(- -).



(Bottom View)

Approval	Supervisor	Designer	Aperture size
C.Y.Chang	C.K.Chang	P.H.Chiang	5W4S(3.8*5.1)(5.12) 5HW024RB3-J1

TEMWELL CORPORATION

# Performance-TFW4510F-987M

## 201803069CD

