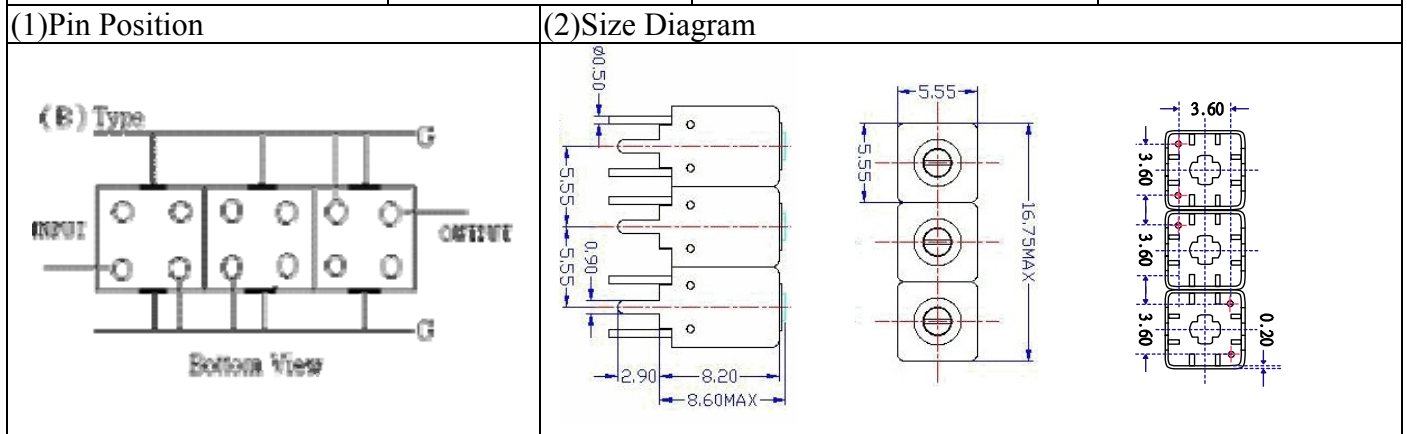


VHF UHF Helical Filter Specification Sheet

Customer Name		Temwell's Part No.	TTW3746B-1675M
Approval No. /dated	201407128CD	Temwell's Print Name.	3746B 1675M
Work Instruction No.	201407128CD	Date	Dec.05.2014



(3) Electric Character		Item	Specify	Performance
		Center Freq.(Fo) +/- 0.5 %	1675 MHz	1675 MHz
		Insertion Loss	Typ. 3.0 dB	2.25 dB
		-3 dB Bandwidth	Typ. 52 MHz	65.7 MHz
Sensitivity (Attenuation)	Fo -100 MHz	Typ. 24 dBc	29 dBc	
	Fo +100MHz	Typ. 16 dBc	21 dBc	
	Fo - ()MHz	Typ. dBc	dBc	
	Fo +()MHz	Typ. dBc	dBc	
		Return Loss	Min. 12 dB	20.7 dB
		Ripple	< 1 dB	dB
		Impedance	In / Out : 50 Ω	In / Out : 50 Ω

(4) Torque for Tuning Screw > 60gf · cm

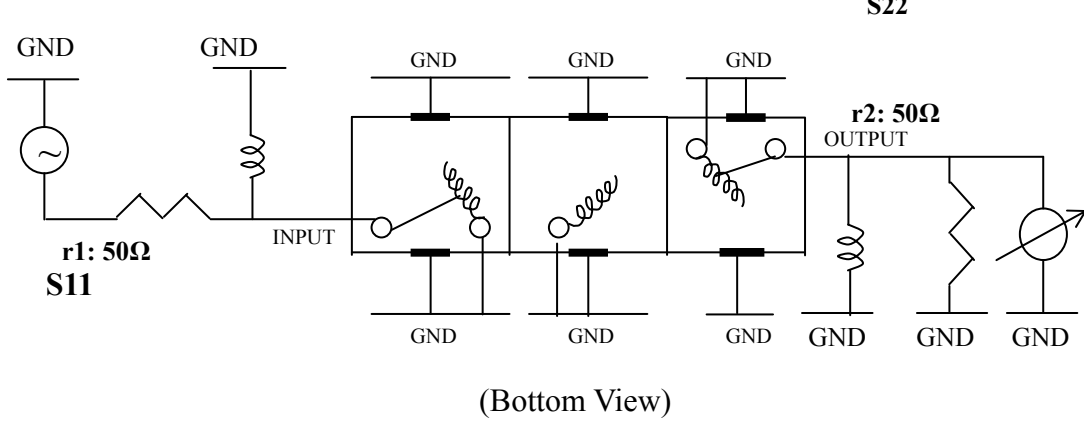
(5) Temperature Condition:

Operating Temperature 0°C ~ +60°C

Storage Temperature -20°C ~ +70°C

(6) Input Power > 0.5Watt

(7) Measuring Circuit: ※Easy to match Impedance S11/S22 50Ω by parallel with about(- -).



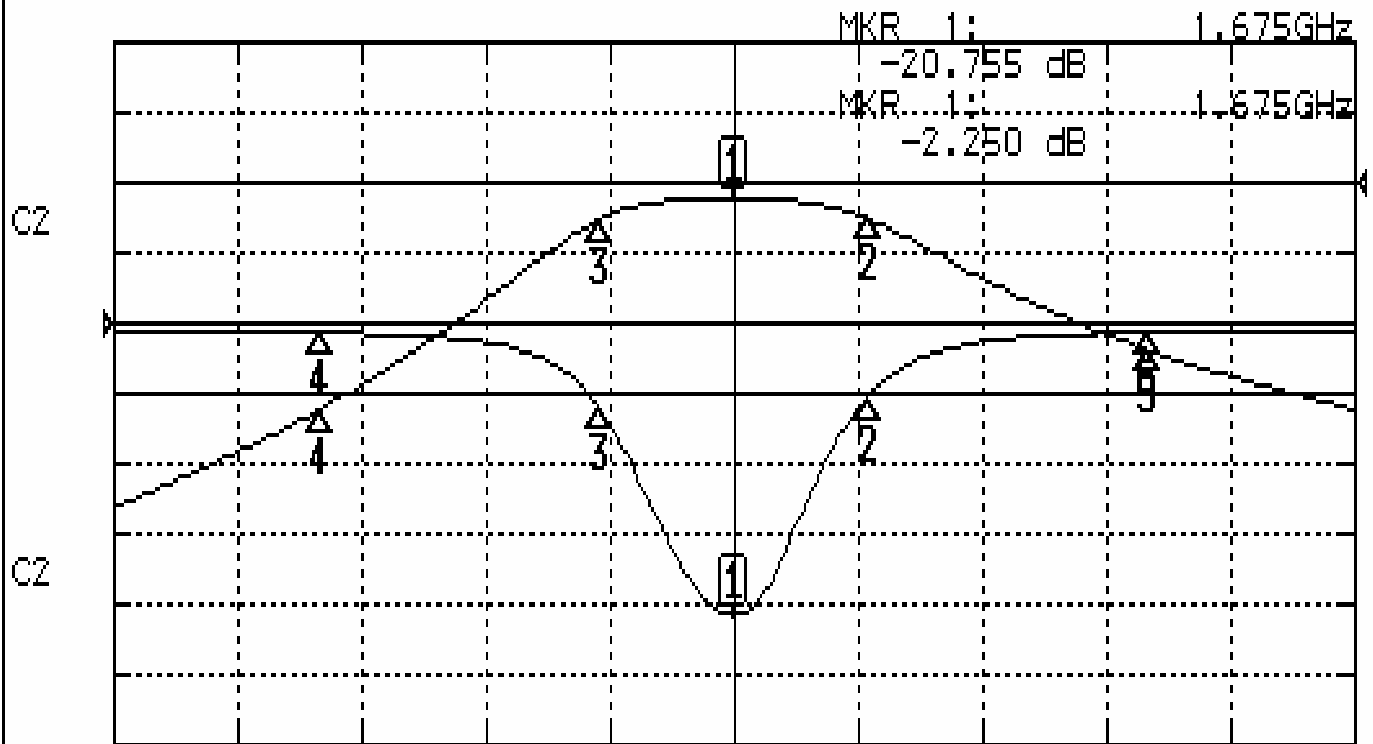
Approval	Supervisor	Designer	Aperture size
C.Y.Chang	C.K.Chang	H.W.Lin	5W3(3.8*4.5)(4.43) 5HW024RB3.2

TEMWELL CORPORATION

Performance-TTW3746B-1675M

201407128CD

CH1 S11 LOG MAG REF 0.000 dB 5.000 dB/
 CH2 S21 LOG MAG REF 0.000 dB 10.000 dB/



CENTER 1.675GHz

[10.00 dBm]

SPAN 300MHz

CH1 MARKER LIST

Marker	Frequency (GHz)	Magnitude (dB)
1:	1.675 000GHz	-20.761 dB
2:	1.707 750GHz	-15.086 dB
3:	1.642 000GHz	-15.791 dB
4:	1.575 000GHz	-0.660 dB
5:	1.775 000GHz	-0.641 dB

CH2 MARKER LIST

Marker	Frequency (GHz)	Magnitude (dB)
1:	1.675 000GHz	-2.250 dB
2:	1.707 750GHz	-15.207 dB
3:	1.642 000GHz	-15.254 dB
4:	1.575 000GHz	-32.111 dB
5:	1.775 000GHz	-23.769 dB