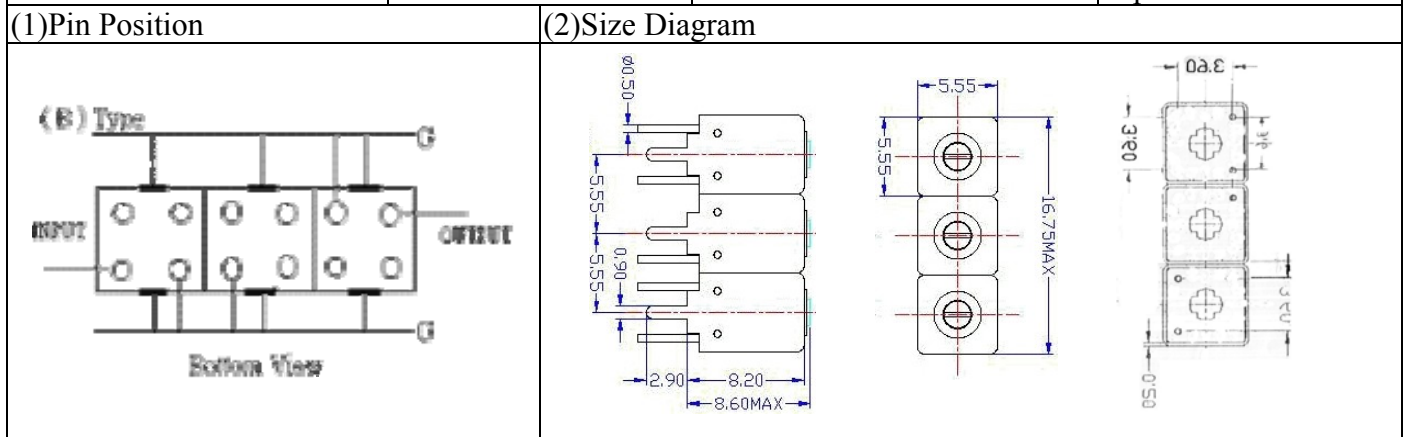
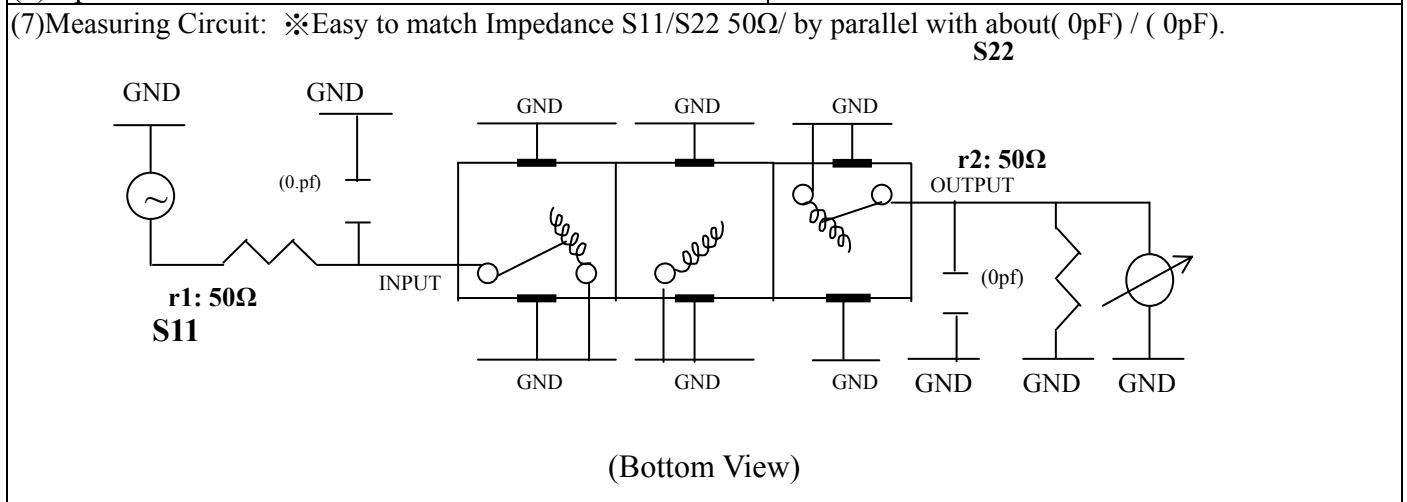


VHF UHF Helical Filter Specification Sheet

Customer Name		Temwell's Part No.	TTW3708B1-2175M
Approval No. /dated	0909002CD	Temwell's print Name.	3708B1 2175M
Work Instruction No.	200909002CD	Date	Sep.16.2009



(3) Electric Characteristic		Item	Specify	Performance
		Center Freq.(Fo) +/- 0.5 %	2175 MHz	2175 MHz
		Insertion Loss	Typ. 4.5 dB	4.07 dB
		-3 dB Bandwidth	Typ. 27 MHz	46.5 MHz
Sensitivity (Attenuation)	Fo - 100 MHz	Typ. 29 dBc		35 dBc
	Fo + 100 MHz	Typ. 21 dBc		25 dBc
	Fo - ()MHz	Typ. dBc		dBc
	Fo +()MHz	Typ. dBc		dBc
		Return Loss	Min. 12 dB	34.2 dB
		Ripple	< 1 dB	dB
		Impedance	In / Out : 50 Ω	In / Out : 50 Ω
(4) Torque for Tuning Screw			> 60gf · cm	
(5) Temperature Condition:				
Operating Temperature			0°C ~ +60°C	
Storage Temperature			-20°C ~ +70°C	
(6) Input Power			> 0.5Watt	



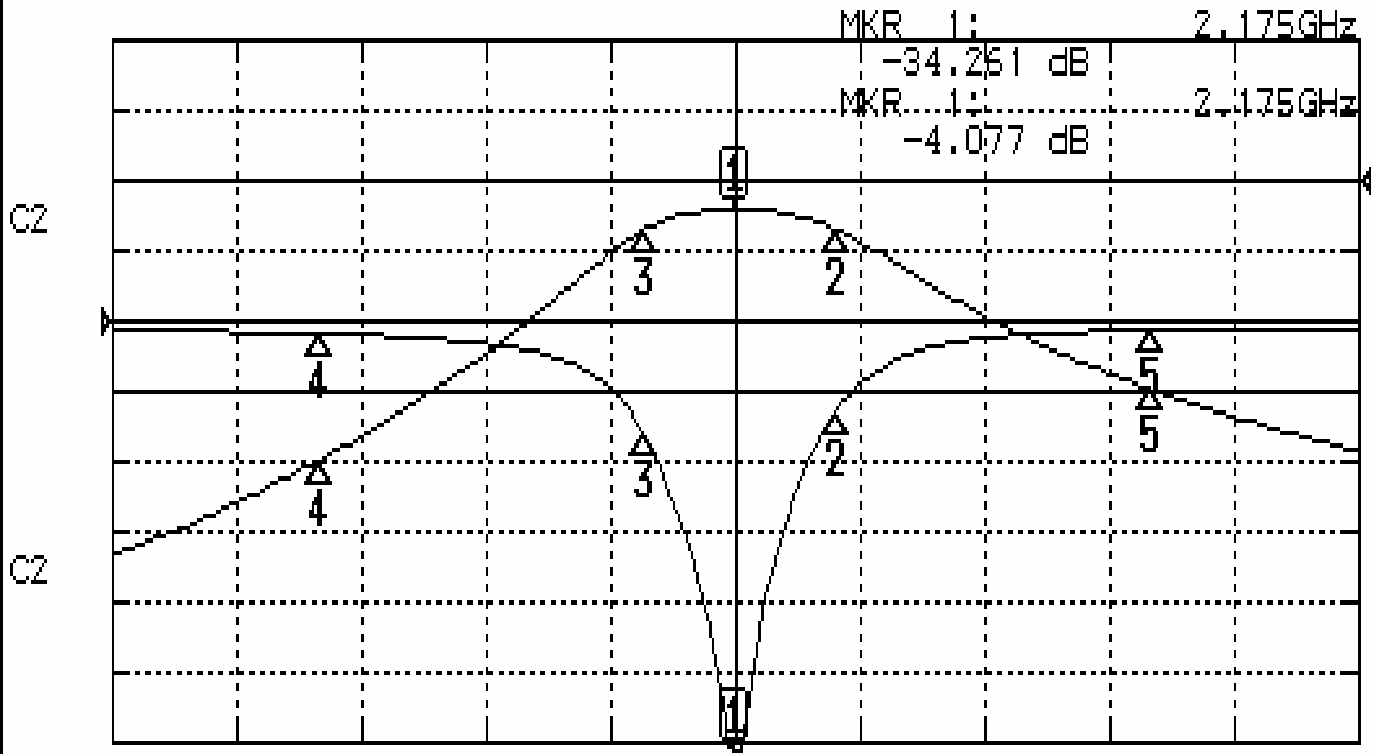
Approval	Supervisor	Designer	Aperture size
C.Y.Chang	C.K.Chang	C.H.Yeh	5W3S(3.8*4.0)(4.10) 5HW024RB3

TEMWELL CORPORATION

Performance-TTW3708B1-2175M

200909002CD

CH1	S11	LOG MAG	REF	0.000 dB	5.000 dB/
CH2	S21	LOG MAG	REF	0.000 dB	10.000 dB/



CENTER 2.175GHz

[10.00 dBm]

SPAN 300MHz

CH1 MARKER LIST

1:	2.175 000GHz	-34.261	dB
2:	2.199 500GHz	-6.404	dB
3:	2.153 000GHz	-7.912	dB
4:	2.075 000GHz	-0.873	dB
5:	2.275 000GHz	-0.628	dB

CH2 MARKER LIST

1:	2.175 000GHz	-4.077	dB
2:	2.199 500GHz	-7.055	dB
3:	2.153 000GHz	-7.040	dB
4:	2.075 000GHz	-39.711	dB
5:	2.275 000GHz	-29.694	dB