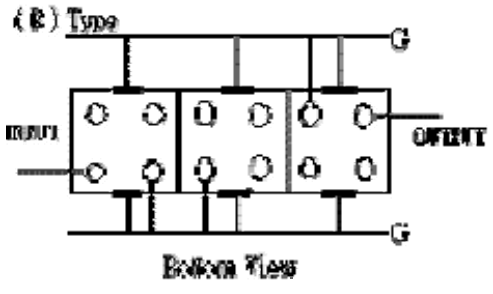
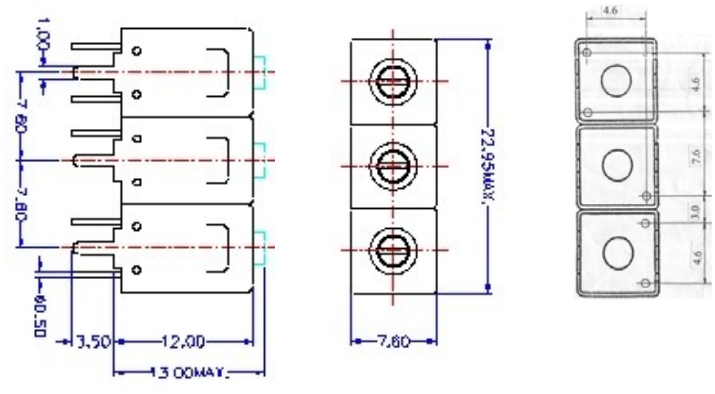


VHF UHF Helical Filter Specification Sheet

Customer Name		Temwell's Part No.	TT67501B-650M
Approval No. /dated	20112106DC	Acceptable Specify Fo. Range	641~660MHz
Work Instruction No.	20112106DC	Date	Jan.03.2002

<p>(1) Pin Position</p>  <p style="text-align: center;">(B) Type</p> <p style="text-align: center;">Bottom View</p>	<p>(2) Size Diagram</p> 
--	--

(3) Electric Character

Item	Specify	Performance	
Center Freq.(Fo) +/- 0.5 %	650 MHz	650 MHz	
Tunable Range	650±3 MHz	650±3 MHz	
Insertion Loss	Typ. 2.0 dB	1.0 dB	
-3 dB Bandwidth	Typ. 60 MHz	67 MHz	
Sensitivity (Attenuation)	Fo - 100 MHz	Typ. 29 dBc	31 dBc
	Fo + 100 MHz	Typ. 21 dBc	24 dBc
	Fo - ()MHz	Typ. dBc	dBc
	Fo +()MHz	Typ. dBc	dBc
Return Loss	Min. 12 dB	19 dB	
Ripple	< 1 dB	dB	
Impedance	In / Out : 50 Ω	In / Out : 50 Ω	
(4) Torque for Tuning Screw	> 100gf • cm		

(5) Temperature Condition:

Operating Temperature	0°C ~ +60°C
Storage Temperature	-20°C ~ +70°C
(6) Input Power	> 1Watt

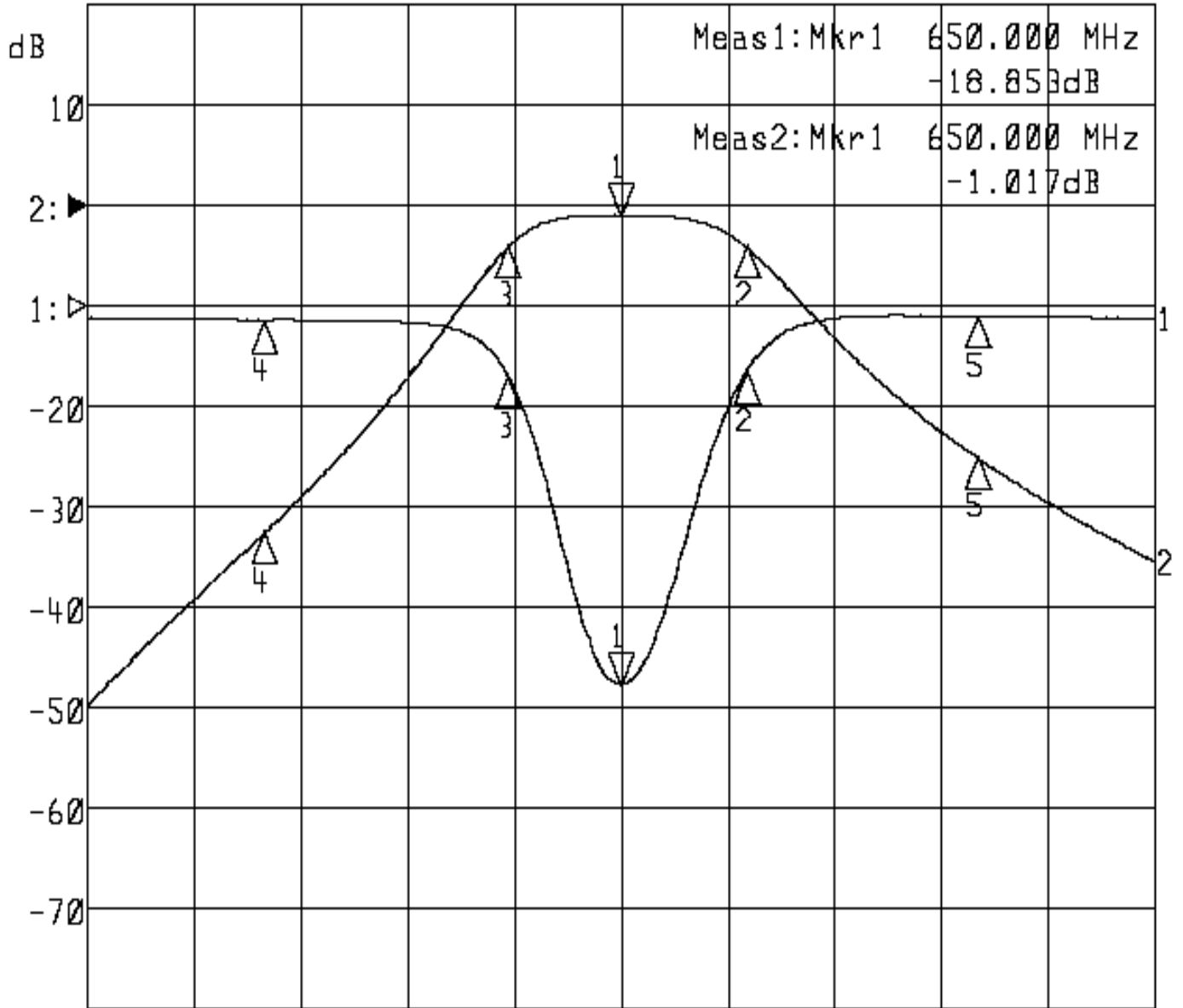
Approval	Supervisor	Designer	Aperture size
C.Y.Chang	C.S.Chang	Enlan	7H3S 4*7.5 7H046LB4 聚 3

TEMWELL CORPORATION

Performance-TT67501B-650M

20112106DC

▶1:S11 Refl Port1 Log Mag 5.0 dB/ Ref 0.00 dB C
 ▶2:S21 Fwd Trans Log Mag 10.0 dB/ Ref 0.00 dB C



Center 650.000 MHz

Span 300.000 MHz

1: Mkr (MHz)	dB	2: Mkr (MHz)	dB
1> 650.0000	-18.853	1> 650.0000	-1.017
2: 685.1000	-3.266	2: 685.1000	-4.072
3: 618.4000	-3.478	3: 618.4000	-4.077
4: 550.0000	-0.717	4: 550.0000	-32.575
5: 750.0000	-0.532	5: 750.0000	-25.065