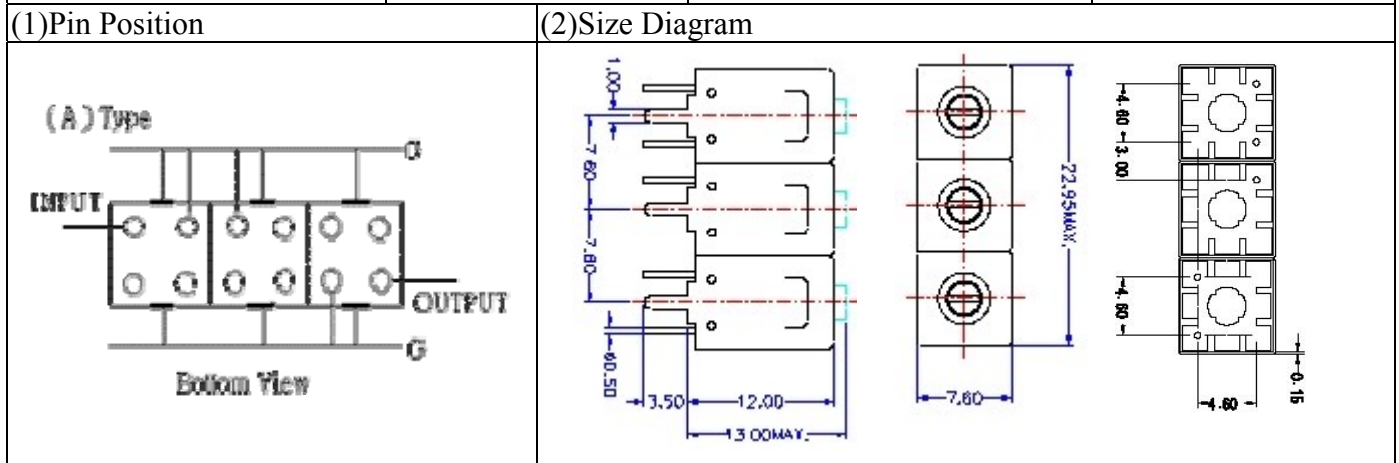


VHF UHF Helical Filter Specification Sheet

Customer Name		Temwell's Part No.	TT67464A-813.5M
Approval No. /dated		Customer's Print Name.	67464A 813.5M
Work Instruction No.	200903034CD	Date	Mar.23.2009



(3) Electric Characteristic

Item	Specify	Performance	
Center Freq.(Fo) +/- 0.5 %	813.5 MHz	813.5 MHz	
Tunable Range:	813.5±10 MHz	813.5±10 MHz	
Insertion Loss	Typ. 3.0 dB	1.87 dB	
-3 dB Bandwidth	Typ. 25 MHz	29.8 MHz	
Sensitivity (Attenuation)	Fo - 50 MHz	Typ. 33 dBc	36 dBc
	Fo + 50 MHz	Typ. 24 dBc	27 dBc
	Fo - ()MHz	Typ. dBc	dBc
	Fo + ()MHz	Typ. dBc	dBc
Return Loss	Min. 12 dB	28.0 dB	
Ripple	< 1 dB	dB	
Impedance	In / Out : 50 Ω	In / Out : 50 Ω	

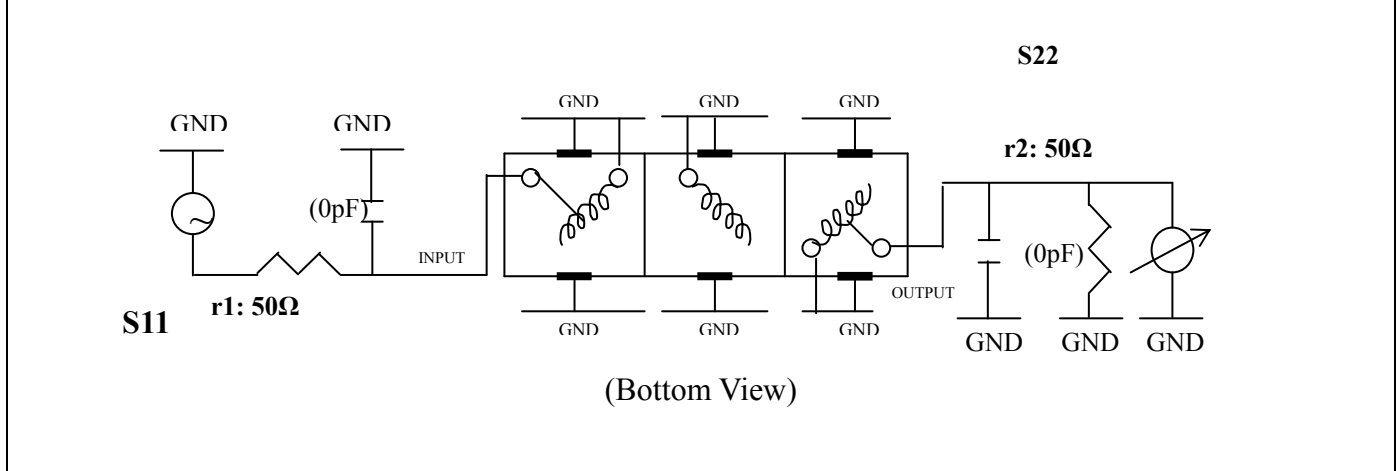
(4) Torque for Tuning Screw > 100gf · cm

(5) Temperature Condition:

Operating Temperature	-0°C ~ +60°C
Storage Temperature	-20°C ~ +70°C

(6) Input Power > 1Watt

(7) Measuring Circuit: ※Easy to match Impedance S11/S22 50Ω by parallel with about(0pF) / (0pF).



Approval	Supervisor	Designer	Aperture size
C.Y.Chang	C.K.Chang	C.S.Chang	7H3(4*5.5F)(5.57) 7H046LB4.3 聚 3

TEMWELL CORPORATION

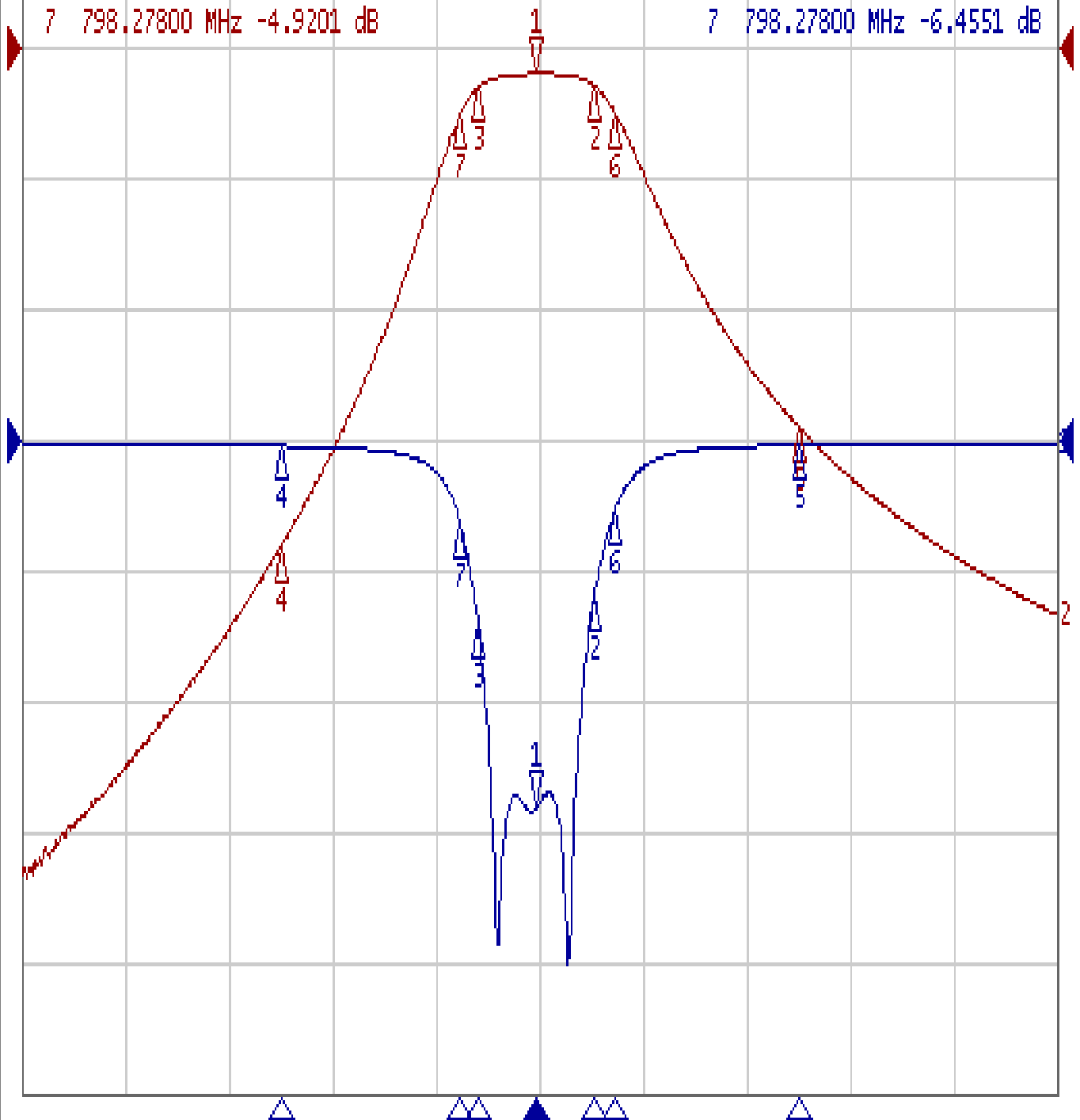
Performance-TT67464A-813.5M

200903034CD

▶ Tr1 S11 Log Mag 10.00dB/ Ref 0.000dB [F2]
Tr2 S21 Log Mag 10.00dB/ Ref 0.000dB [F2]

1	813.00000 MHz	-1.8760 dB
2	824.08900 MHz	-2.8117 dB
3	801.55600 MHz	-2.9256 dB
4	763.50000 MHz	-38.104 dB
5	863.50000 MHz	-28.912 dB
6	828.00100 MHz	-4.8259 dB
7	798.27800 MHz	-4.9201 dB

>1	813.00000 MHz	-28.079 dB
2	824.08900 MHz	-11.980 dB
3	801.55600 MHz	-13.958 dB
4	763.50000 MHz	-0.3838 dB
5	863.50000 MHz	-0.3276 dB
6	828.00100 MHz	-5.3835 dB
7	798.27800 MHz	-6.4551 dB



1 Center 813.5 MHz

IFBW 10 kHz

Span 200 MHz

