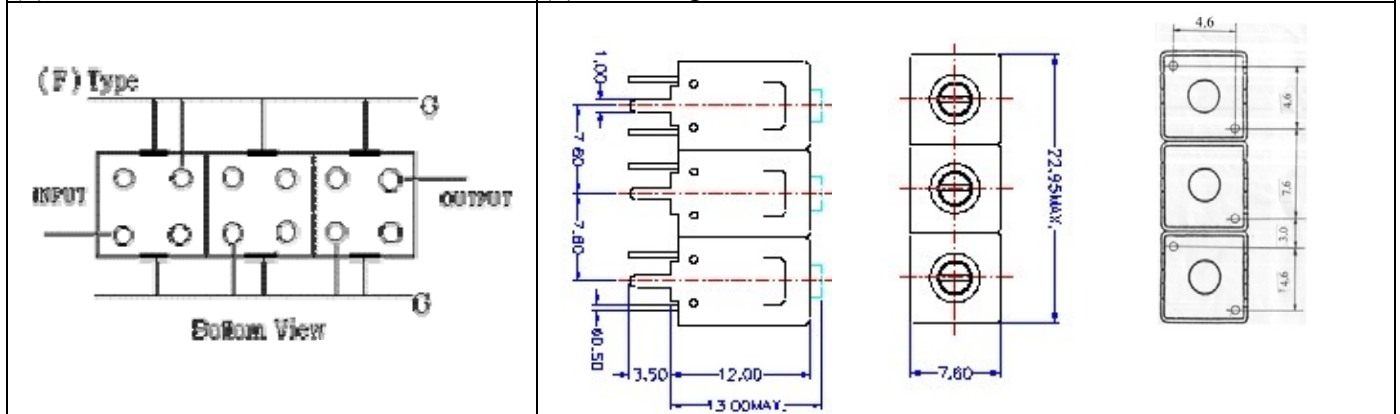


# VHF UHF Helical Filter Specification Sheet

Customer Name		Temwell's Part No.	TT67449F-947.5M
Approval No. /dated	0607065DC	Acceptable Specify Fo Range	931~950MHz
Work Instruction No.	0607065DC	Date	Aug.07.2006

(1) Pin Position (2) Size Diagram



(3) Electric Character

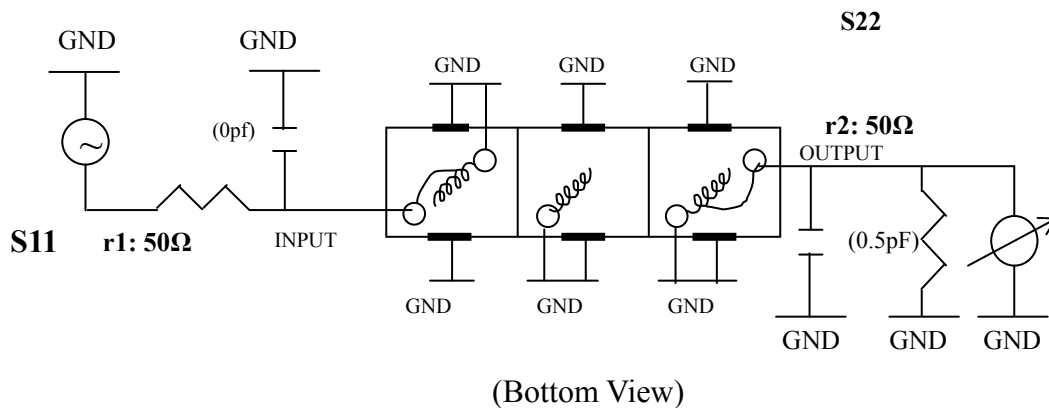
Item	Specify	Performance	
Center Freq.(Fo) +/- 0.5 %	947.5 MHz	947.5 MHz	
Tunable Range	947.5±10 MHz	947.5±10 MHz	
Insertion Loss	Typ. 3.0 dB	2.28 dB	
-1 dB Bandwidth	Typ. 17 MHz	22.5 MHz	
-3 dB Bandwidth	Typ. 22 MHz	28 MHz	
Sensitivity (Attenuation)	Fo - 50 MHz	Typ. 33 dBc	37 dBc
	Fo + 50 MHz	Typ. 20 dBc	23 dBc
	Fo - ( )MHz	Typ. dBc	dBc
	Fo +( )MHz	Typ. dBc	dBc
Return Loss	Min. 12 dB	24.9 dB	
Ripple	< 1 dB	dB	
Impedance	In / Out : 50 Ω	In / Out : 50 Ω	
(4) Torque for Tuning Screw	> 100gf · cm		

(5) Temperature Condition:

Operating Temperature	0°C ~ +60°C
Storage Temperature	-20°C ~ +70°C

(6) Input Power > 1 Watt

(7) Measuring Circuit: ※Easy to match Impedance S11/S22 50Ω/ by parallel with about(0) / (0.5pf).



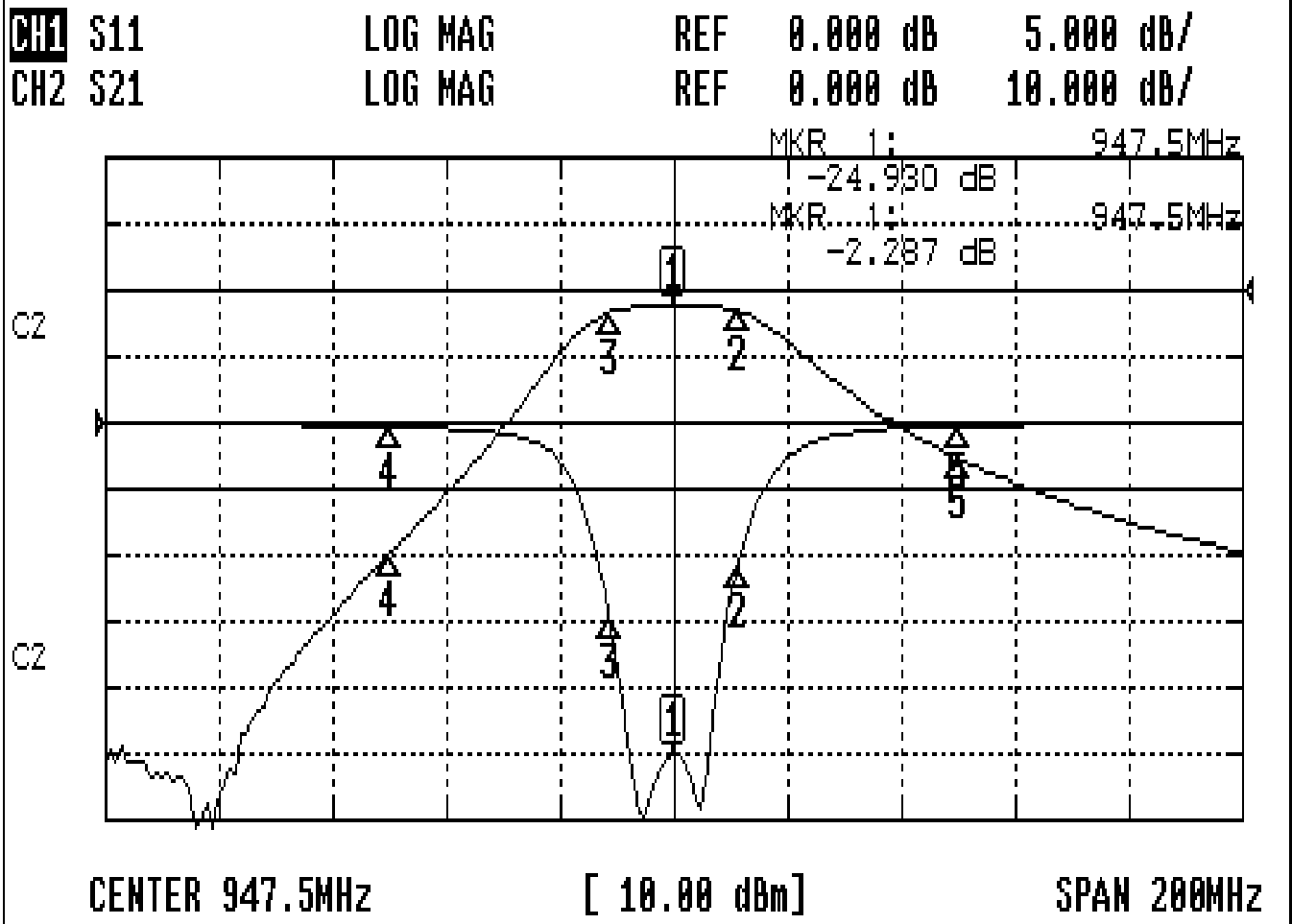
Approval	Supervisor	Designer	Aperture size
C.Y.Chang	C.S.Chang	P.H.Chiang	7H3(4*6.5)(6.58) 7H046LB4 聚 3

TEMWELL CORPORATION

TEMWELL RP(P.H)

# Performance-TT67449F-947.5M

## 0607065DC



### CH1 MARKER LIST

1:	947.500MHz	-24.930 dB
2:	958.833MHz	-10.959 dB
3:	936.333MHz	-14.783 dB
4:	897.500MHz	-0.261 dB
5:	997.500MHz	-0.221 dB

### CH2 MARKER LIST

1:	947.500MHz	-2.287 dB
2:	958.833MHz	-13.259 dB
3:	936.333MHz	-13.277 dB
4:	897.500MHz	-39.908 dB
5:	997.500MHz	-25.394 dB