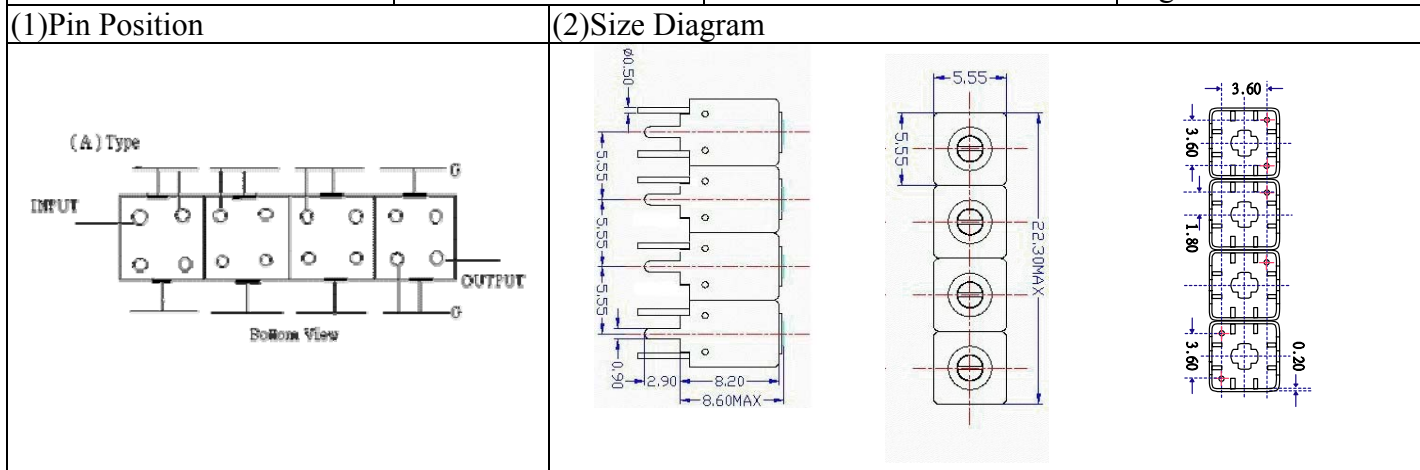


VHF UHF Helical Filter Specification Sheet

Customer Name		Temwell's Part No.	TFW4996A-1880M
Approval No. /dated		Temwell,s print Name	4996A 1880M
Work Instruction No.	201607038CD	Date	Aug.11.2016



(3)Electric Chararistic

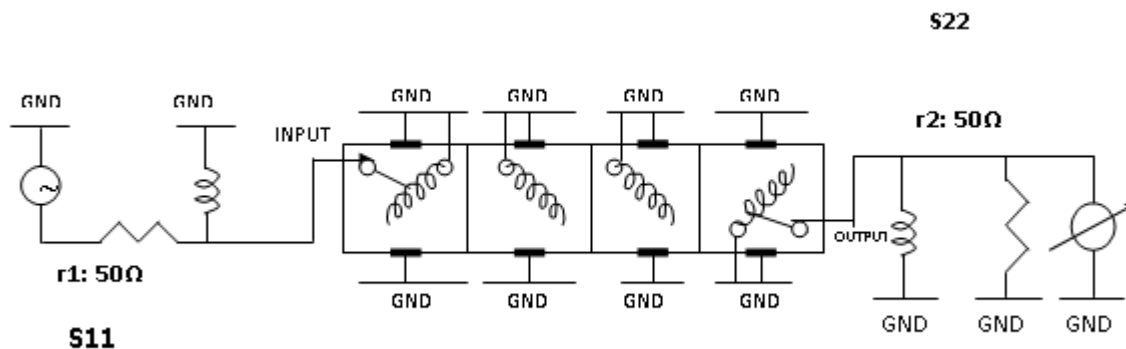
Item	Specify	Performance	
Center Freq.(Fo) +/- 0.5 %	1880 MHz	1880 MHz	
Insertion Loss	Typ. 5.0 dB	3.90 dB	
-3 dB Bandwidth	Typ. 59 MHz	71.9 MHz	
Sensitivity (Attenuation)	Fo - 100 MHz	Typ. 40 dBc	47 dBc
	Fo +100 MHz	Typ. 30 dBc	37 dBc
	Fo - ()MHz	Typ. dBc	dBc
	Fo +()MHz	Typ. dBc	dBc
Return Loss	Min. 12 dB	25.5 dB	
Ripple	< 1 dB	dB	
Impedance	In / Out : 50 Ω	In / Out : 50 Ω	
(4)Torque for Tuning Screw	> 60gf • cm		

(5)Temperature Condition:

Operating Temperature	0°C ~ +60°C
Storage Temperature	-20°C ~ +70°C

(6)Input Power

(7) Measuring Circuit: ※Easy to match Impedance S11/S22 50Ω by parallel with about(- -).



(Bottom View)

Approval	Supervisor	Designer	Aperture size
C.Y.Chang	C.K.Chang	P.H.Chiang	5W4S(3.8*4.0)(4.08) 5HW046LB3.2-J1

TEMWELL CORPORATION

Performance-TFW4996A-1880M

201607038CD

