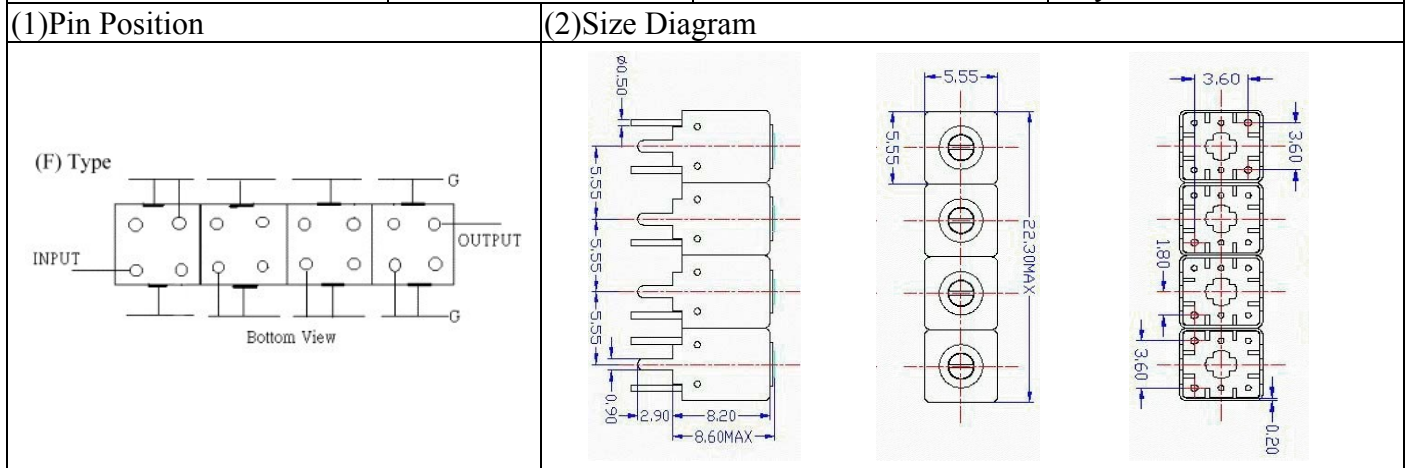
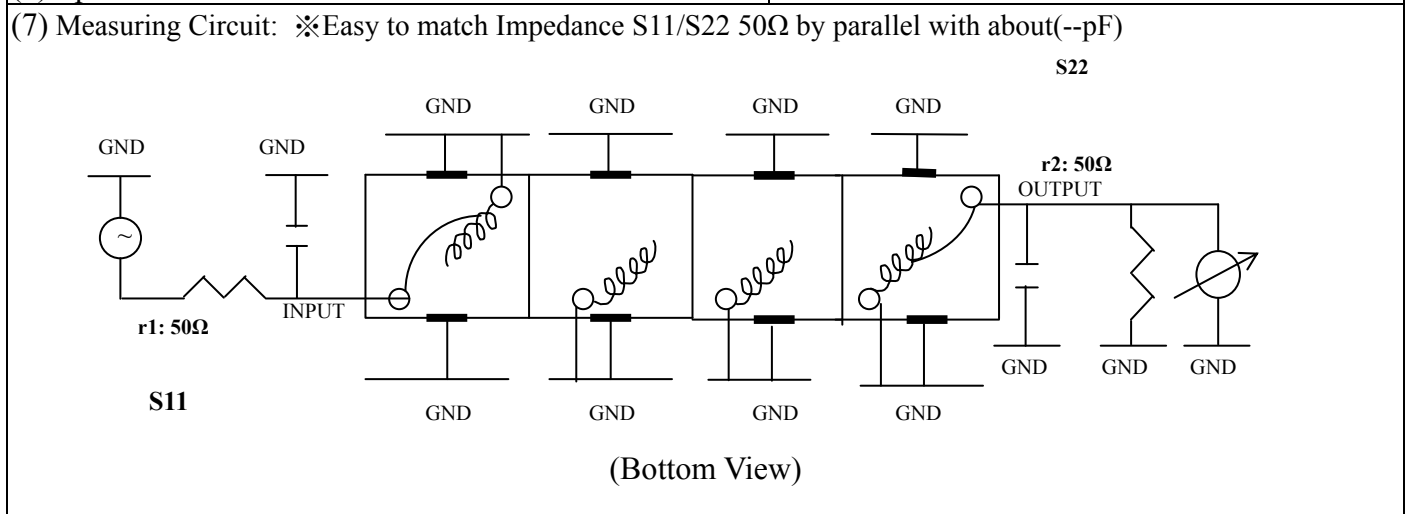


# VHF UHF Helical Filter Specification Sheet

Customer Name		Temwell's Part No.	TFW4949F-2072.5M
Approval No. /dated	201110055CD	Temwell,s print Name	4949F 2072.5M
Work Instruction No.	201110055CD	Date	May.22.2011



(3) Electric Charasteric			
Item		Specify	Performance
Center Freq.(Fo ) +/- 0.5 %		2072.5 MHz	2072.5 MHz
Insertion Loss		Typ. 3.0 dB	2.21 dB
-3 dB Bandwidth		Typ. 95 MHz	115.6 MHz
Sensitivity (Attenuation)	Fo -100 MHz	Typ. 14 dBc	17 dBc
	Fo +100 MHz	Typ. 16 dBc	19 dBc
	Fo MHz	Typ. dB	dB
	Fo MHz	Typ. dB	dB
Return Loss		Min. 12 dB	18.8 dB
Ripple		< 1 dB	dB
Impedance		In / Out : 50 Ω	In / Out : 50 Ω
(4) Torque for Tuning Screw		> 60gf · cm	
(5) Temperature Condition:			
Operating Temperature		0°C ~ +60°C	
Storage Temperature		-20°C ~ +70°C	
(6) Input Power		> 0.5Watt	



Approval	Supervisor	Designer	Aperture size
C.Y.Chang	C.K.Chang	C.S.Chang	5W4(3.8*5.1)(5.14)J1 5HW046R3.2

TEMWELL CORPORATION

# Performance-TFW4949F-2072.5M

## 201110055CD

