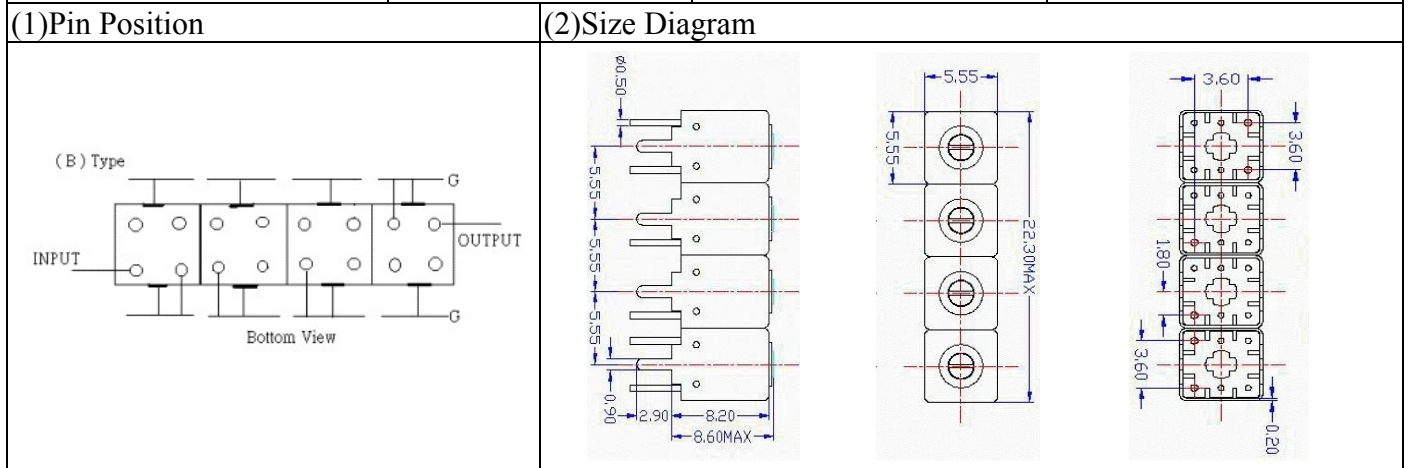
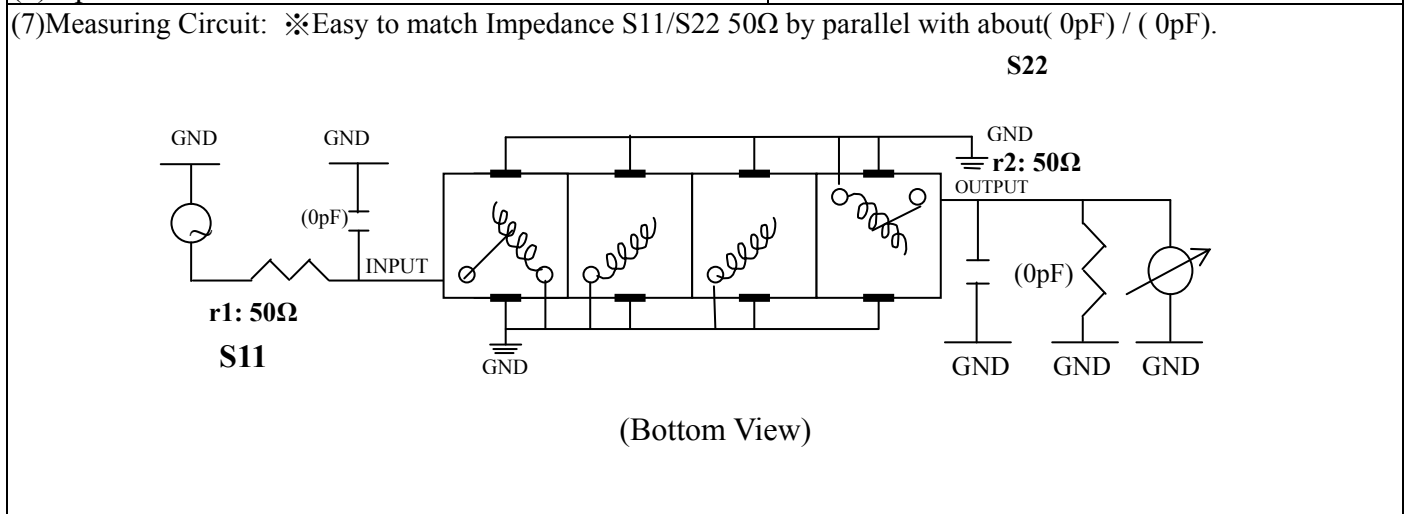


VHF UHF Helical Filter Specification Sheet

Customer Name		Temwell's Part No.	TFW4922B-2437M
Approval No. /dated	0911062APR	Temwell,s print Name	4922B 2437M
Work Instruction No.	200911062BD	Date	Nov.19.2009



(3) Electric Charasteric			
Item		Specify	Performance
Center Freq.(Fo) +/- 0.5 %		2437 MHz	2437 MHz
Insertion Loss		Typ. 5.5 dB	4.84 dB
-3 dB Bandwidth		Typ. 50 MHz	64.2 MHz
Sensitivity (Attenuation)	Fo - 100 MHz	Typ. 34 dBc	37 dBc
	Fo + 100 MHz	Typ. 25 dBc	28 dBc
	Fo - ()MHz	Typ. dBc	dBc
	Fo +()MHz	Typ. dBc	dBc
Return Loss		Min. 12 dB	25.7 dB
Ripple		< 1 dB	dB
Impedance		In / Out : 50 Ω	In / Out : 50 Ω
(4) Torque for Tuning Screw		> 100gf · cm	
(5) Temperature Condition:			
Operating Temperature		0°C ~ +60°C	
Storage Temperature		-20°C ~ +70°C	
(6) Input Power		> 0.5Watt	



Approval	Supervisor	Designer	Aperture size
C.Y.Chang	C.K.Chang	C.S.Chang	5W4(3.8*4.0)(4.10) 5W046RB3.2

TEMWELL CORPORATION

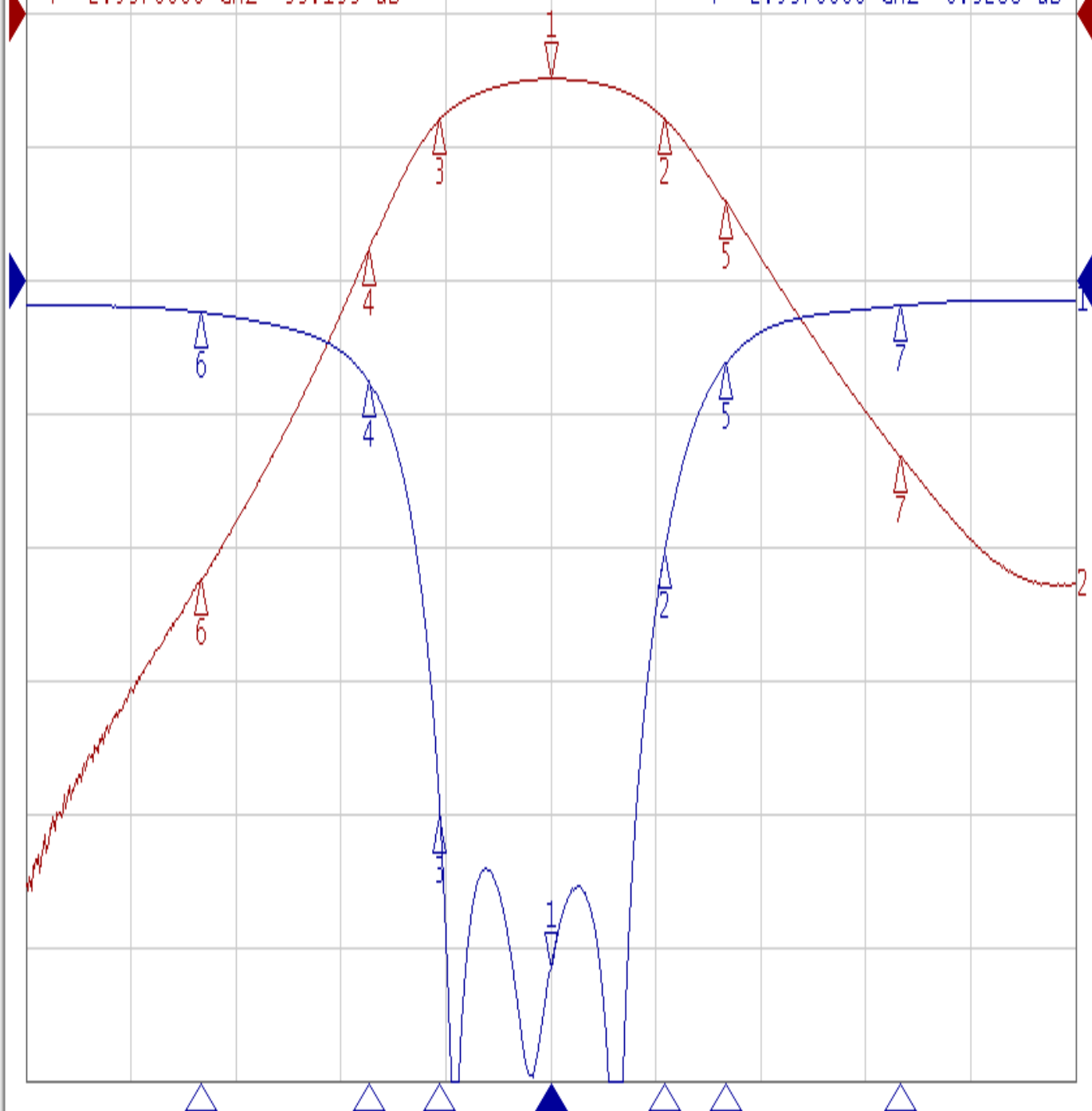
Performance-TFW4922B-2437M

200911062BD

Tr1 S11 Log Mag 5.000dB/ Ref 0.000dB [F2]
Tr2 S21 Log Mag 10.00dB/ Ref 0.000dB [F2]

1	2.4370000	GHz	-4.8422	dB
2	2.4695280	GHz	-7.8354	dB
3	2.4053478	GHz	-7.8482	dB
4	2.3850000	GHz	-17.722	dB
5	2.4870000	GHz	-14.089	dB
6	2.3370000	GHz	-42.431	dB
7	2.5370000	GHz	-33.193	dB

>1	2.4370000	GHz	-25.747	dB
2	2.4695280	GHz	-10.217	dB
3	2.4053478	GHz	-20.133	dB
4	2.3850000	GHz	-3.7658	dB
5	2.4870000	GHz	-3.0905	dB
6	2.3370000	GHz	-1.1744	dB
7	2.5370000	GHz	-0.9288	dB



1 Center 2.437 GHz

IFBW 10 kHz

Span 300 MHz Cor !