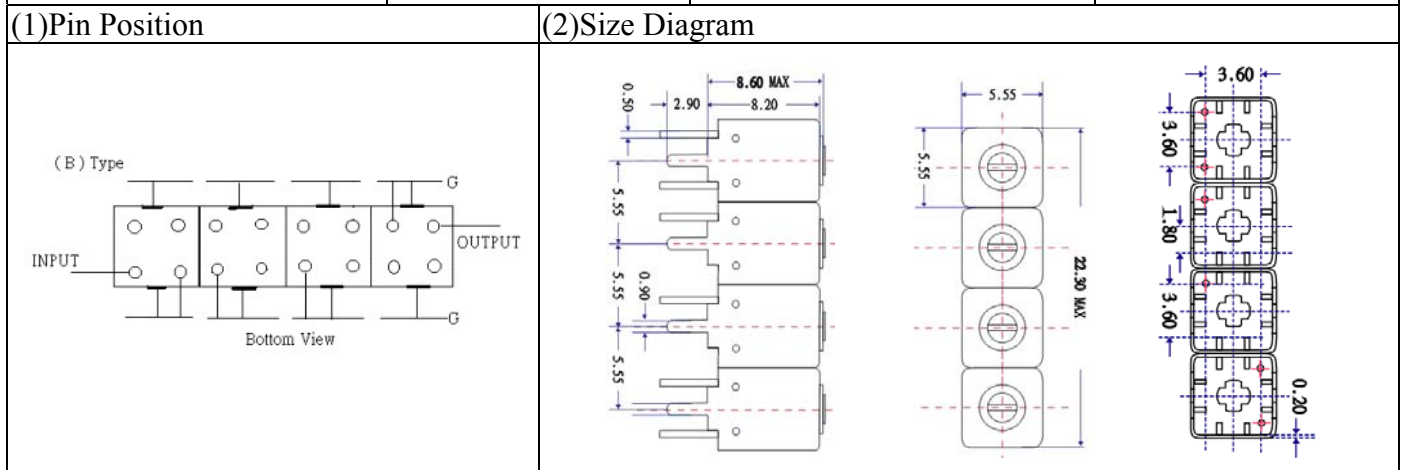


# VHF UHF Helical Filter Specification Sheet

Customer Name		Temwell's Part No.	TFW4918B-425M
Approval No. /dated	201801049CD	Temwell's Print name	4918B 425M
Work Instruction No.	201801049CD	Date	Jan.25.2018



### (3)Electric Charasteric

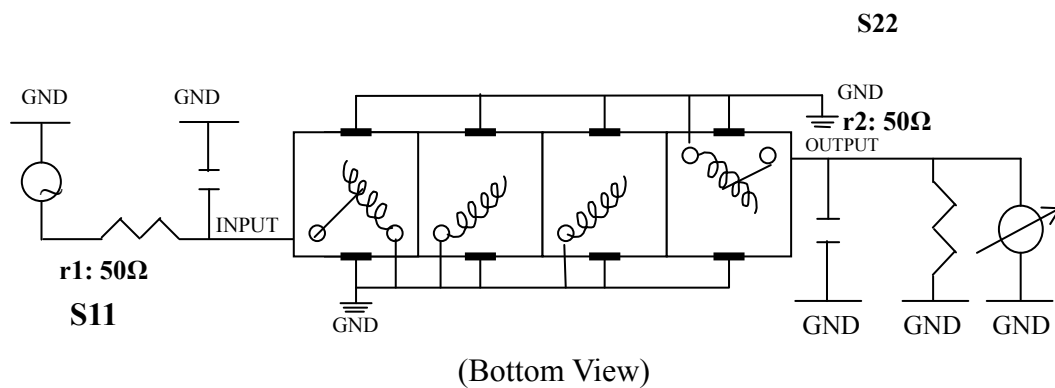
Item	Specify	Performance	
Center Freq.(Fo ) +/- 0.5 %	425 MHz	425 MHz	
Insertion Loss	Typ. 2.5 dB	1.61 dB	
-3 dB Bandwidth	Typ. 50 MHz	54.2 MHz	
Sensitivity (Attenuation)	Fo - 100 MHz	Typ. 55 dBc	60 dBc
	Fo + 100 MHz	Typ. 48 dBc	53 dBc
	Fo - ( )MHz	Typ. dBc	dBc
	Fo +( )MHz	Typ. dBc	dBc
Return Loss	Min. 12 dB	26.7 dB	
Ripple	< 1 dB	dB	
Impedance	In / Out : 50 Ω	In / Out : 50 Ω	
(4)Torque for Tuning Screw	> 60gf · cm		

### (5)Temperature Condition:

Operating Temperature	0°C ~ +60°C
Storage Temperature	-20°C ~ +70°C

### (6)Input Power

(7)Measuring Circuit: ※Easy to match Impedance S11/S22 50Ω by parallel with about(- -).

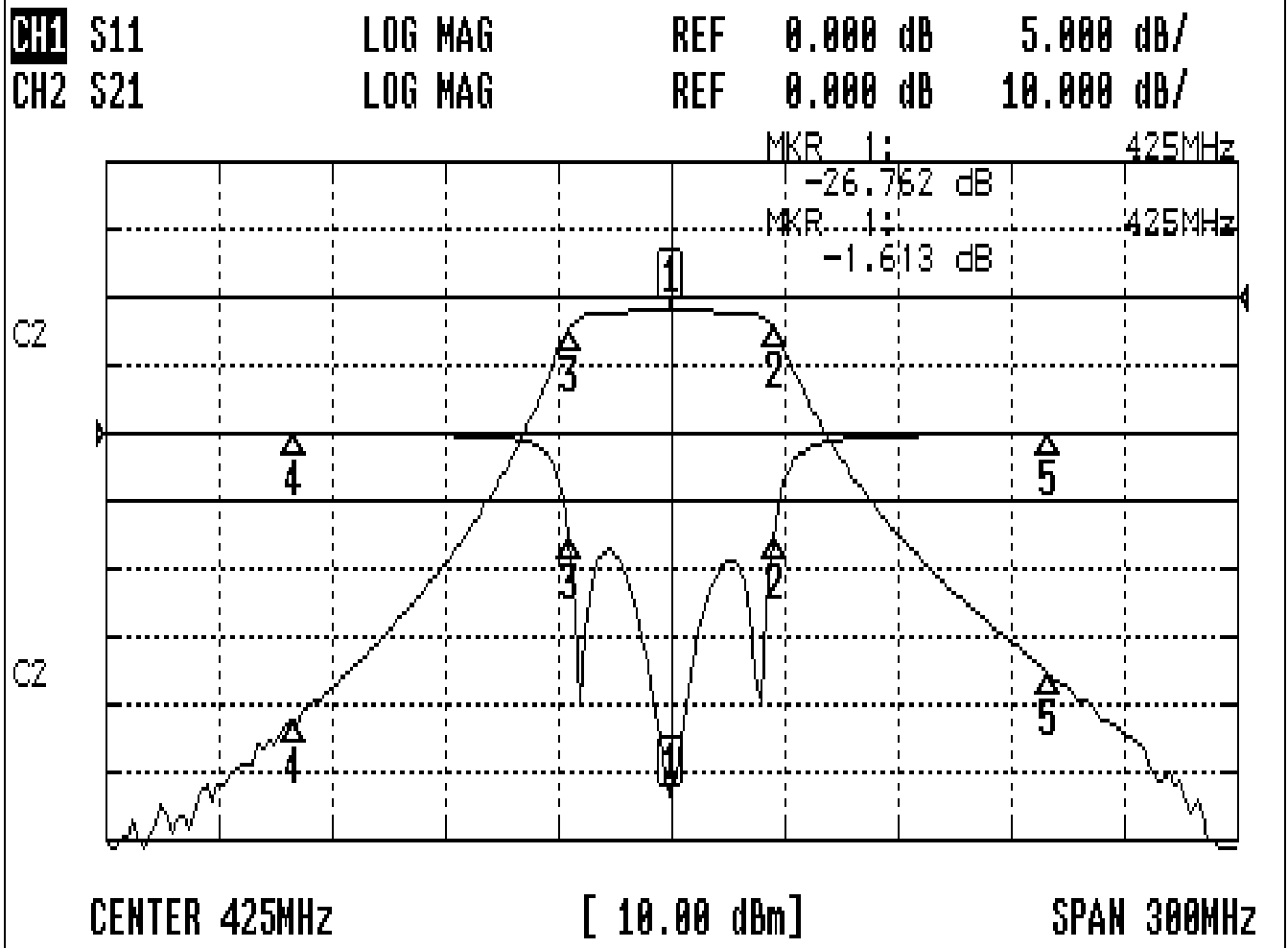


Approval	Supervisor	Designer	Aperture size
C.Y.Chang	C.K.Chang	M.Y.Kang	5W4S(3.8*4.0)(4.10) 5HW020RB4.5

TEMWELL CORPORATION

# Performance-TFW4918B-425M

## 201801049CD



### CH1 MARKER LIST

1	425.000MHz	-26.762	dB
2	452.250MHz	-7.499	dB
3	398.000MHz	-7.652	dB
4	325.000MHz	-0.040	dB
5	525.000MHz	-0.006	dB

### CH2 MARKER LIST

1	425.000MHz	-1.613	dB
2	452.250MHz	-4.639	dB
3	398.000MHz	-4.611	dB
4	325.000MHz	-62.448	dB
5	525.000MHz	-55.246	dB