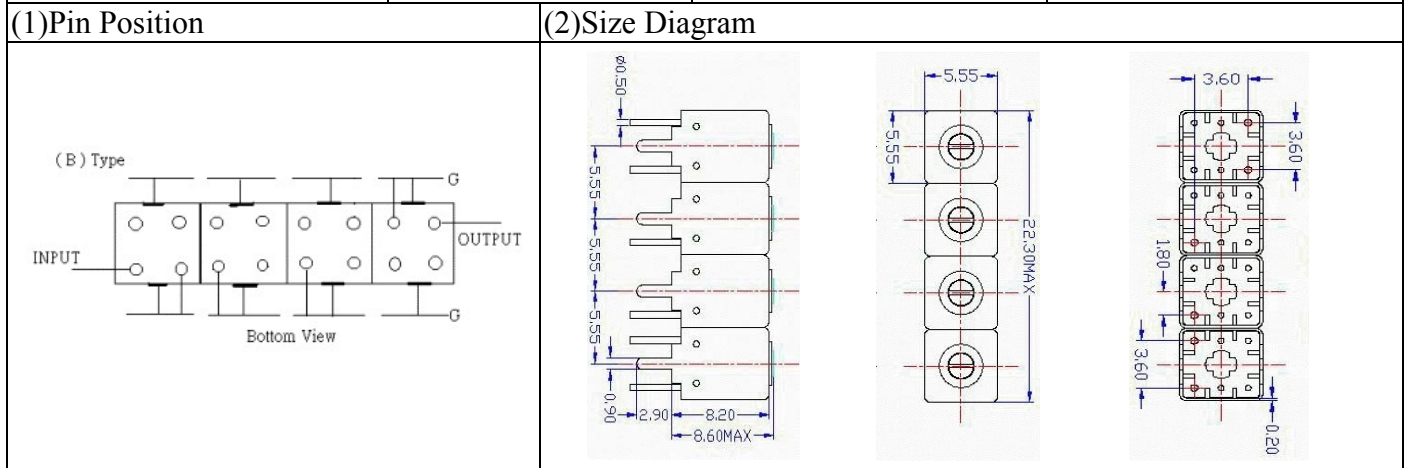


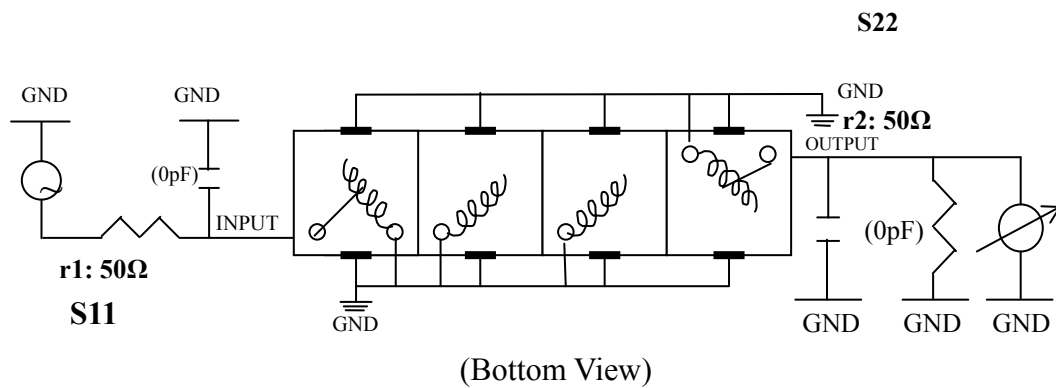
VHF UHF Helical Filter Specification Sheet

Customer Name		Temwell's Part No.	TFW4917B-1680M
Approval No. /dated	0902143APR	Temwell,s print Name	4917B 1680M
Work Instruction No.	200902143BD	Date	Mar.02.2009



(3) Electric Charasteric			
Item		Specify	Performance
Center Freq.(Fo) +/- 0.5 %		1680 MHz	1680 MHz
Insertion Loss		Typ. 5.5 dB	4.53 dB
-3 dB Bandwidth		Typ. 35 MHz	46.7 MHz
Sensitivity (Attenuation)	Fo - 50 MHz	Typ. 25 dBc	28 dBc
	Fo + 50 MHz	Typ. 19 dBc	22 dBc
	Fo - ()MHz	Typ. dBc	dBc
	Fo +()MHz	Typ. dBc	dBc
Return Loss		Min. 12 dB	24.6 dB
Ripple		< 1 dB	dB
Impedance		In / Out : 50 Ω	In / Out : 50 Ω
(4) Torque for Tuning Screw		> 100gf • cm	
(5) Temperature Condition:			
Operating Temperature		0°C ~ +60°C	
Storage Temperature		-20°C ~ +70°C	
(6) Input Power		> 0.5Watt	

(7) Measuring Circuit: ※Easy to match Impedance S11/S22 50Ω by parallel with about(0pF) / (0pF).



Approval	Supervisor	Designer	Aperture size
C.Y.Chang	C.K.Chang	C.S.Chang	5W4(3.8*3.5)(3.58) 5W046RB3.2

TEMWELL CORPORATION

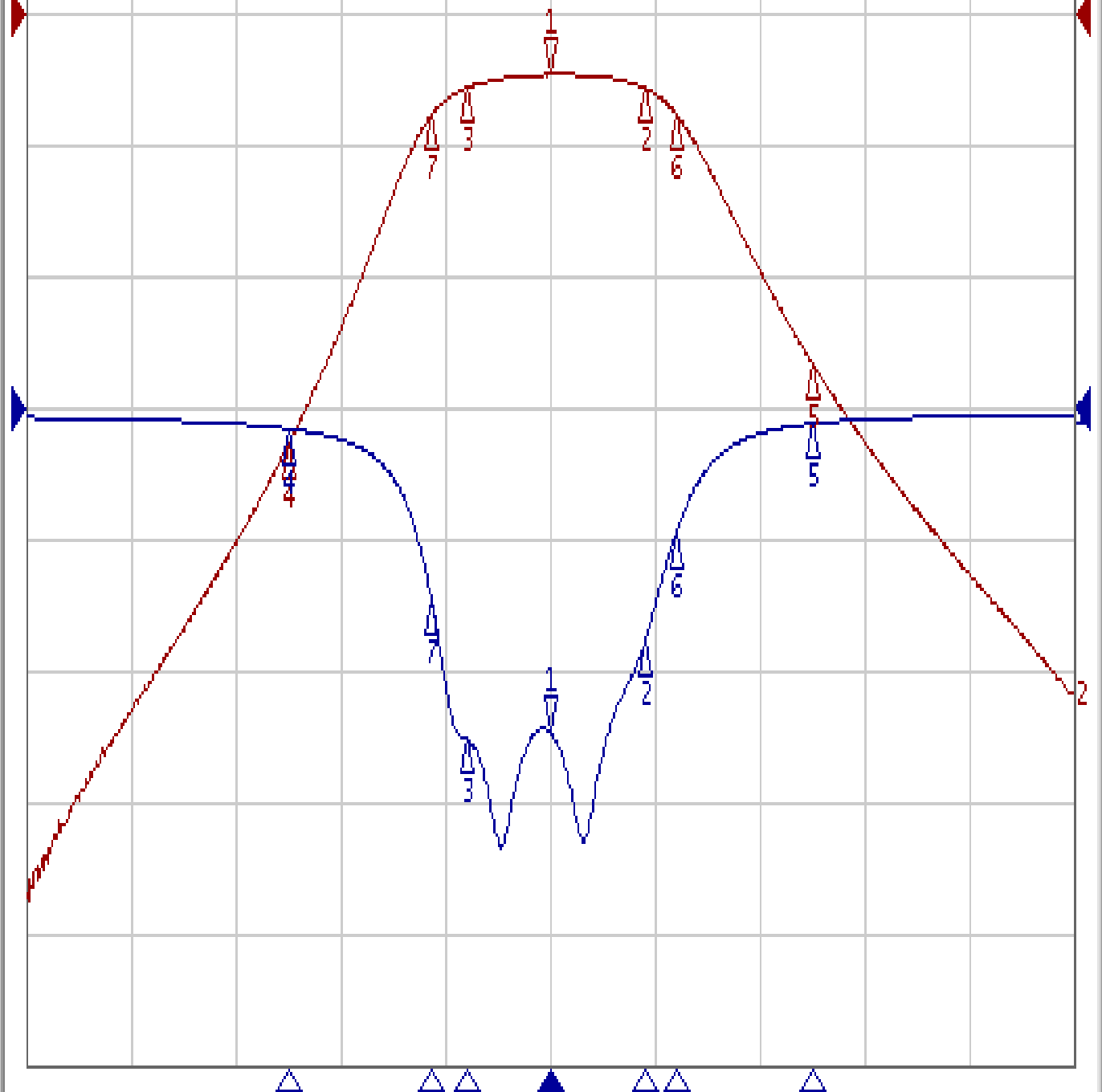
Performance-TFW4917B-1680M

200902143BD

▶ Tr1 S11 Log Mag 10.00dB/ Ref 0.000dB [F2]
Tr2 S21 Log Mag 10.00dB/ Ref 0.000dB [F2]

1	1.6800000 GHz	-4.5318 dB
2	1.6981475 GHz	-5.5489 dB
3	1.6641050 GHz	-5.5269 dB
4	1.6300000 GHz	-32.731 dB
5	1.7300000 GHz	-26.505 dB
6	1.7040560 GHz	-7.5630 dB
7	1.6573990 GHz	-7.5765 dB

>1	1.6800000 GHz	-24.638 dB
2	1.6981475 GHz	-17.670 dB
3	1.6641050 GHz	-25.179 dB
4	1.6300000 GHz	-1.5087 dB
5	1.7300000 GHz	-1.1090 dB
6	1.7040560 GHz	-9.4243 dB
7	1.6573990 GHz	-14.586 dB



1 Center 1.68 GHz

IFBW 10 kHz

Span 200 MHz

