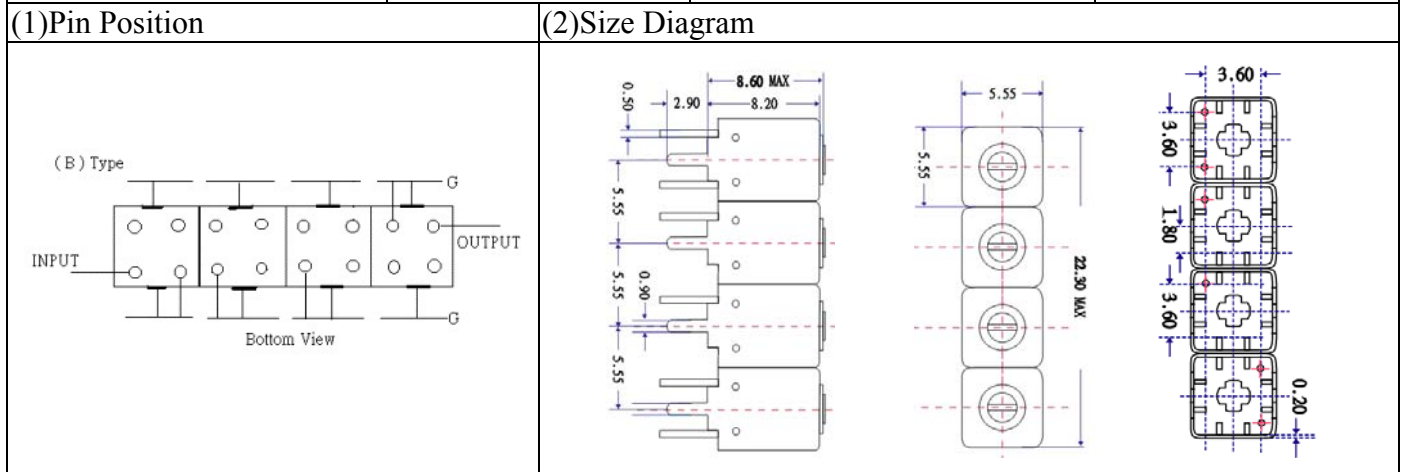


VHF UHF Helical Filter Specification Sheet

Customer Name		Temwell's Part No.	TFW4907B-475M
Approval No. /dated	201801055CD	Temwell's Print name	4907B 475M
Work Instruction No.	201801055CD	Date	Mar.06.2018



(3) Electric Characteristic

Item	Specify	Performance	
Center Freq.(Fo) +/- 0.5 %	475 MHz	475 MHz	
Insertion Loss	Typ. 3.0 dB	2.18 dB	
-3 dB Bandwidth	Typ. 40 MHz	44.0 MHz	
Sensitivity (Attenuation)	Fo - 50 MHz	Typ. 27 dBc	32 dBc
	Fo + 50 MHz	Typ. 25 dBc	30 dBc
	Fo - ()MHz	Typ. dBc	dBc
	Fo +()MHz	Typ. dBc	dBc
Return Loss	Min. 12 dB	34.1 dB	
Ripple	< 1 dB	dB	
Impedance	In / Out : 50 Ω	In / Out : 50 Ω	

(4) Torque for Tuning Screw > 60gf · cm

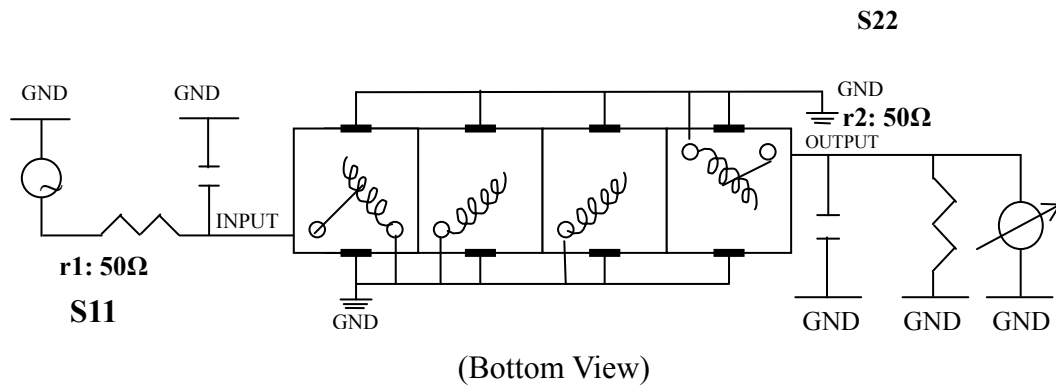
(5) Temperature Condition:

Operating Temperature 0°C ~ +60°C

Storage Temperature -20°C ~ +70°C

(6) Input Power > 0.5Watt

(7) Measuring Circuit: ※Easy to match Impedance S11/S22 50Ω by parallel with about(- -).

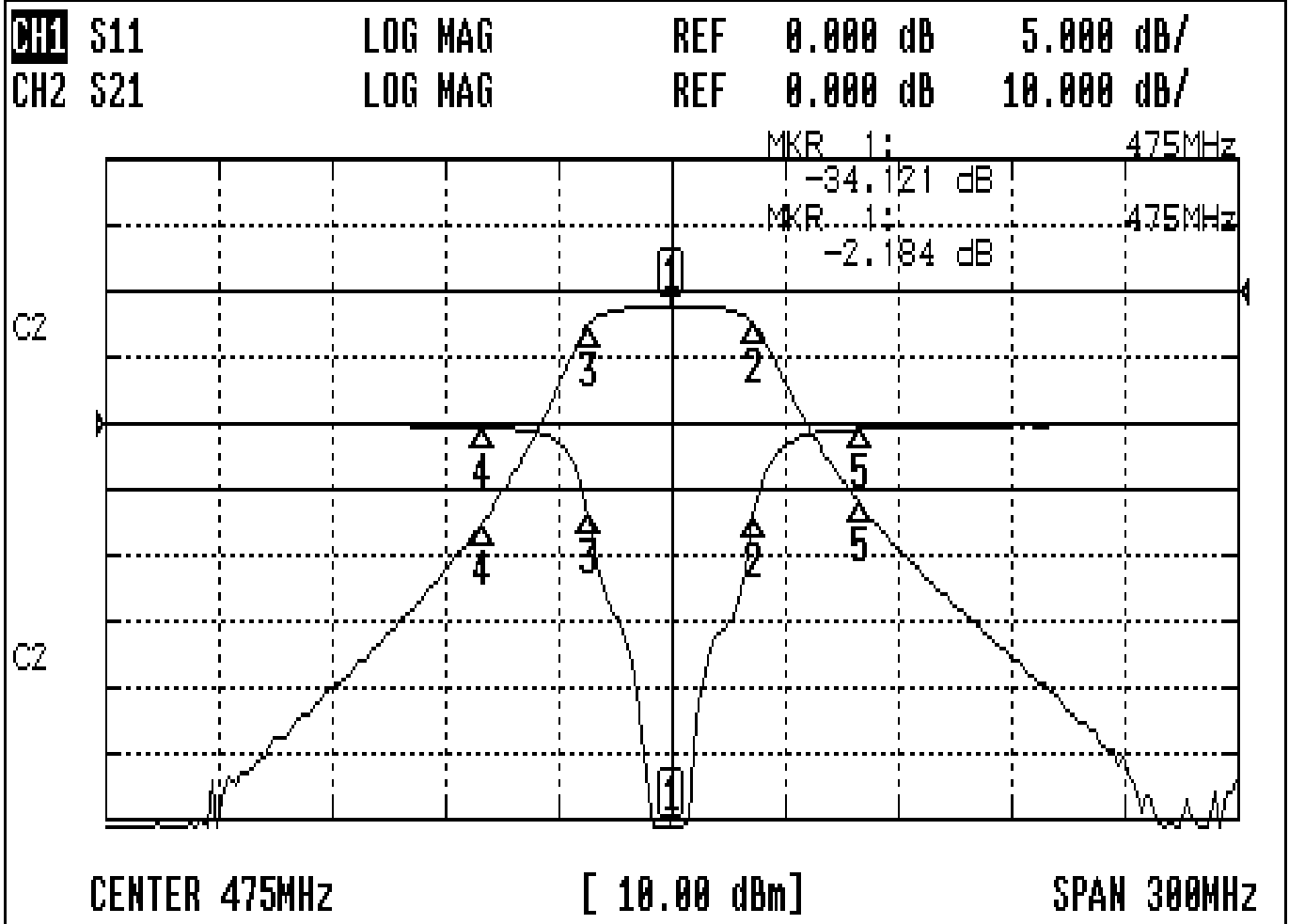


Approval	Supervisor	Designer	Aperture size
C.Y.Chang	C.K.Chang	C.H.Yeh	5W4S(3.8*3.5)(3.53) 5HW020LB4.5

TEMWELL CORPORATION

Performance-TFW4907B-475M

201801055CD



CH1 MARKER LIST

1:	475.000MHz	-34.121 dB
2:	497.000MHz	-7.042 dB
3:	453.000MHz	-6.754 dB
4:	425.000MHz	-0.287 dB
5:	525.000MHz	-0.417 dB

CH2 MARKER LIST

1:	475.000MHz	-2.189 dB
2:	497.000MHz	-5.114 dB
3:	453.000MHz	-5.202 dB
4:	425.000MHz	-34.885 dB
5:	525.000MHz	-32.245 dB