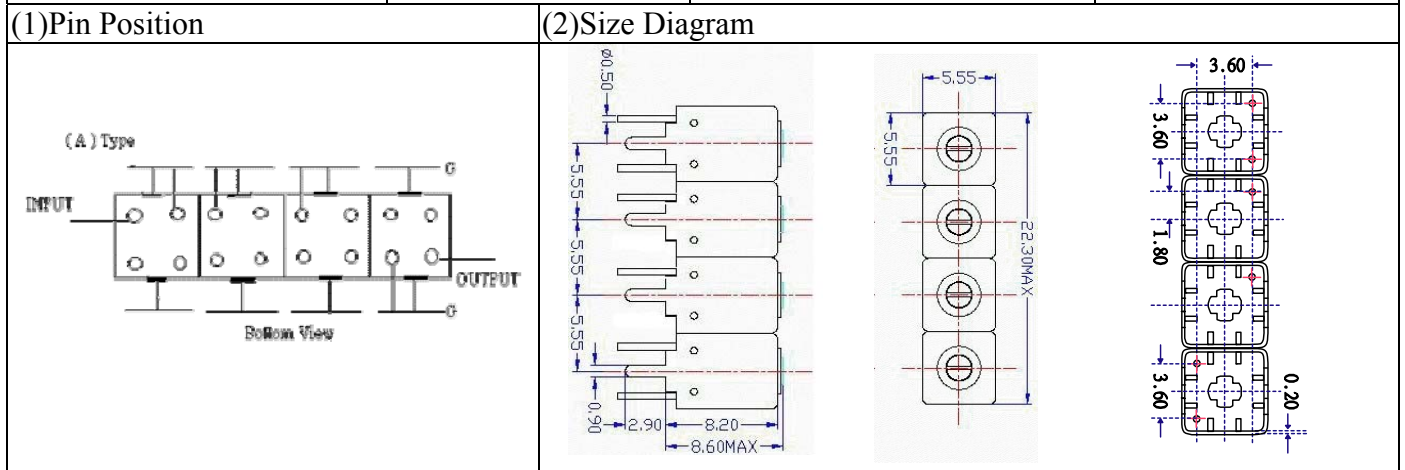


VHF UHF Helical Filter Specification Sheet

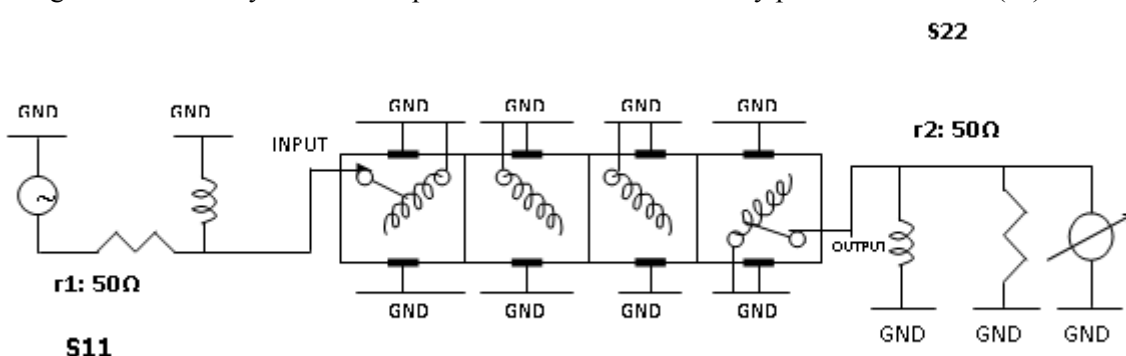
Customer Name		Temwell's Part No.	TFW4893A-575M
Approval No. /dated	201801059CD	Temwell,s print Name	4893A 575M
Work Instruction No.	201801059CD	Date	Feb.21.2018



(3)Electric Charasteric

Item	Specify	Performance	
Center Freq.(Fo) +/- 0.5 %	575 MHz	575 MHz	
Insertion Loss	Typ. 5.5 dB	4.55 dB	
-3 dB Bandwidth	Typ. 10 MHz	16.5 MHz	
Sensitivity (Attenuation)	Fo - 50 MHz	Typ. 68 dBc	73 dBc
	Fo + 50 MHz	Typ. 50 dBc	55 dBc
	Fo - ()MHz	Typ. dBc	dBc
	Fo +()MHz	Typ. dBc	dBc
Return Loss	Min. 12 dB	32.6 dB	
Ripple	< 1 dB	dB	
Impedance	In / Out : 50 Ω	In / Out : 50 Ω	
(4)Torque for Tuning Screw	> 60gf · cm		
(5)Temperature Condition:			
Operating Temperature	0°C ~ +60°C		
Storage Temperature	-20°C ~ +70°C		
(6)Input Power	> 0.5Watt		

(7) Measuring Circuit: ※Easy to match Impedance S11/S22 50Ω/50Ω by parallel with about(- -).



(Bottom View)

Approval	Supervisor	Designer	Aperture size
C.Y.Chang	C.K.Chang	C.H.Yeh	5W4S(3.8*3.5)(3.52) 5HW020RB3.5(J2)

TEMWELL CORPORATION

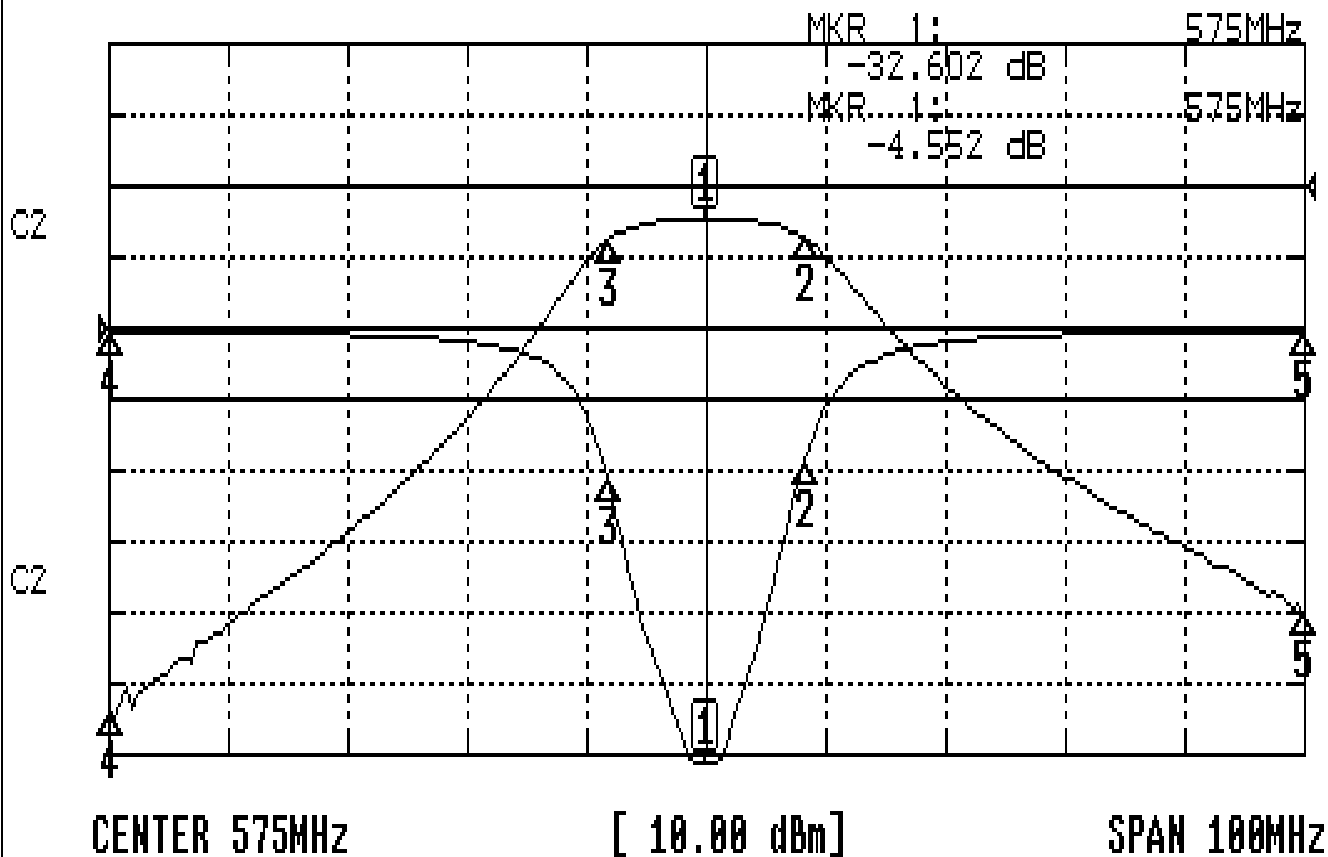
TEMWELL

Form10-5H4A Vision D(C.H.Y)

Performance-TFW4893A-575M

201801059CD

CH1 S11 LOG MAG REF 0.000 dB 5.000 dB/
CH2 S21 LOG MAG REF 0.000 dB 10.000 dB/



CH1 MARKER LIST

Marker	Frequency (MHz)	Amplitude (dB)
1	575.000	-32.602
2	583.350	-9.095
3	566.820	-10.686
4	525.000	-0.202
5	625.000	-0.188

CH2 MARKER LIST

Marker	Frequency (MHz)	Amplitude (dB)
1	575.000	-4.552
2	583.350	-7.524
3	566.820	-7.524
4	525.000	-78.301
5	625.000	-60.026