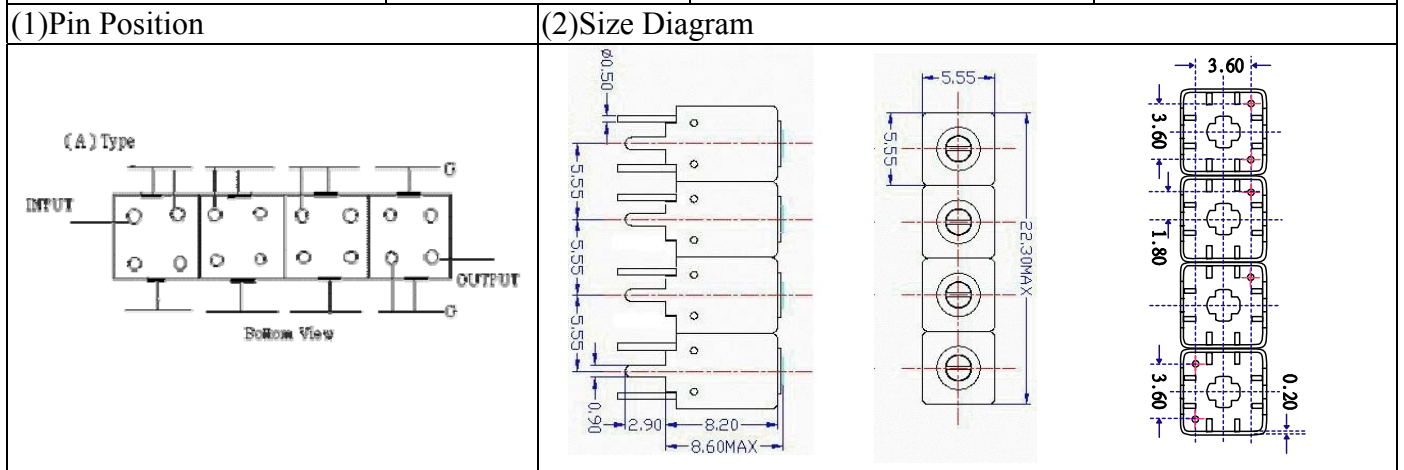


VHF UHF Helical Filter Specification Sheet

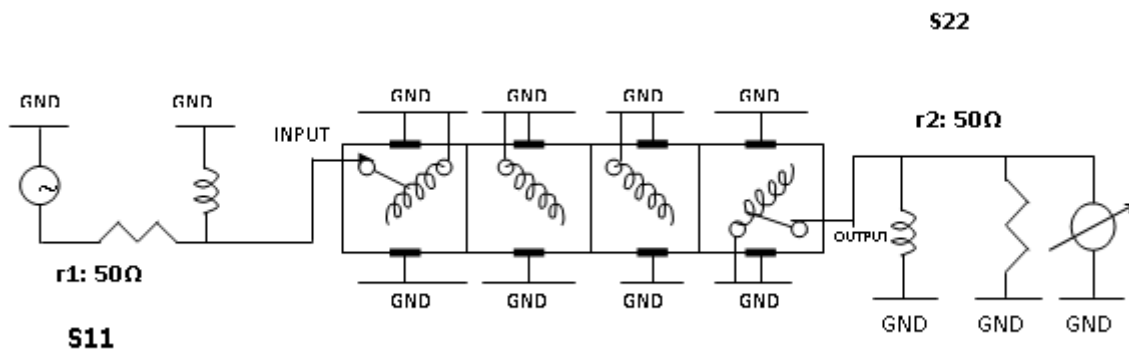
Customer Name		Temwell's Part No.	TFW4892A-525M
Approval No. /dated	201801056CD	Temwell,s print Name	4892A 525M
Work Instruction No.	201801056CD	Date	Mar.05.2018



(3)Electric Charasteric

Item	Specify	Performance	
Center Freq.(Fo) +/- 0.5 %	525 MHz	525 MHz	
Insertion Loss	Typ. 5.5 dB	4.51 dB	
-3 dB Bandwidth	Typ. 10 MHz	16.5 MHz	
Sensitivity (Attenuation)	Fo - 50 MHz	Typ. 59 dBc	64 dBc
	Fo + 50 MHz	Typ. 48 dBc	53 dBc
	Fo - ()MHz	Typ. dBc	dBc
	Fo +()MHz	Typ. dBc	dBc
Return Loss	Min. 12 dB	21.1 dB	
Ripple	< 1 dB	dB	
Impedance	In / Out : 50 Ω	In / Out : 50 Ω	
(4)Torque for Tuning Screw	> 60gf · cm		
(5)Temperature Condition:			
Operating Temperature	0°C ~ +60°C		
Storage Temperature	-20°C ~ +70°C		
(6)Input Power	> 0.5Watt		

(7) Measuring Circuit: ※Easy to match Impedance S11/S22 50Ω/50Ω by parallel with about(- -).



(Bottom View)

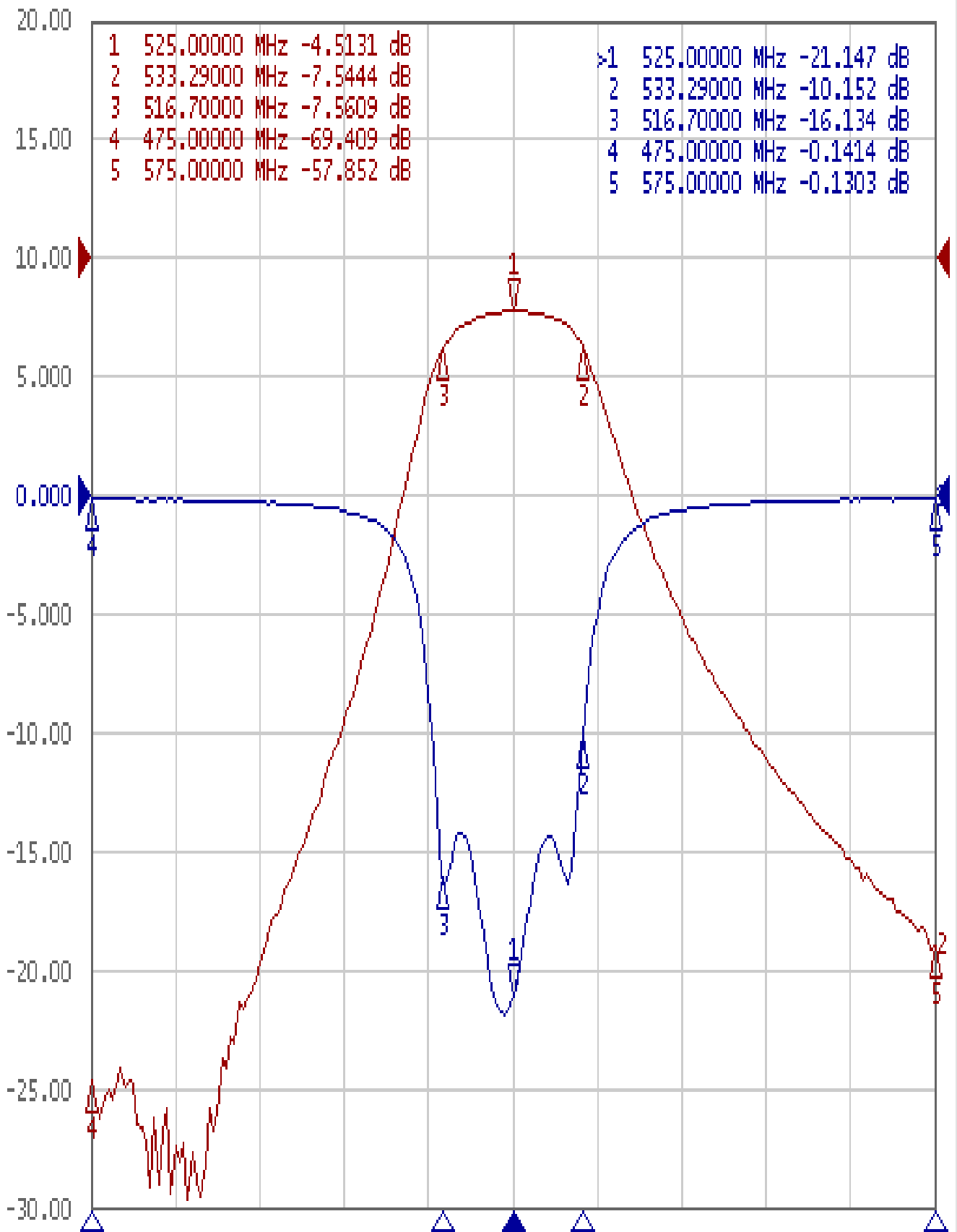
Approval	Supervisor	Designer	Aperture size
C.Y.Chang	C.K.Chang	W.W.Wang	5W4S(3.8*4.0)(4.03) 5HW024LB3

TEMWELL CORPORATION

Performance-TFW4892A-525M

201801056CD

Tr1 S11 Log Mag 5.000dB/ Ref 0.000dB [F2]
Tr2 S21 Log Mag 10.00dB/ Ref 0.000dB [F2]



1 Center 525 MHz

IFBW 70 kHz

Span 100 MHz Cor !