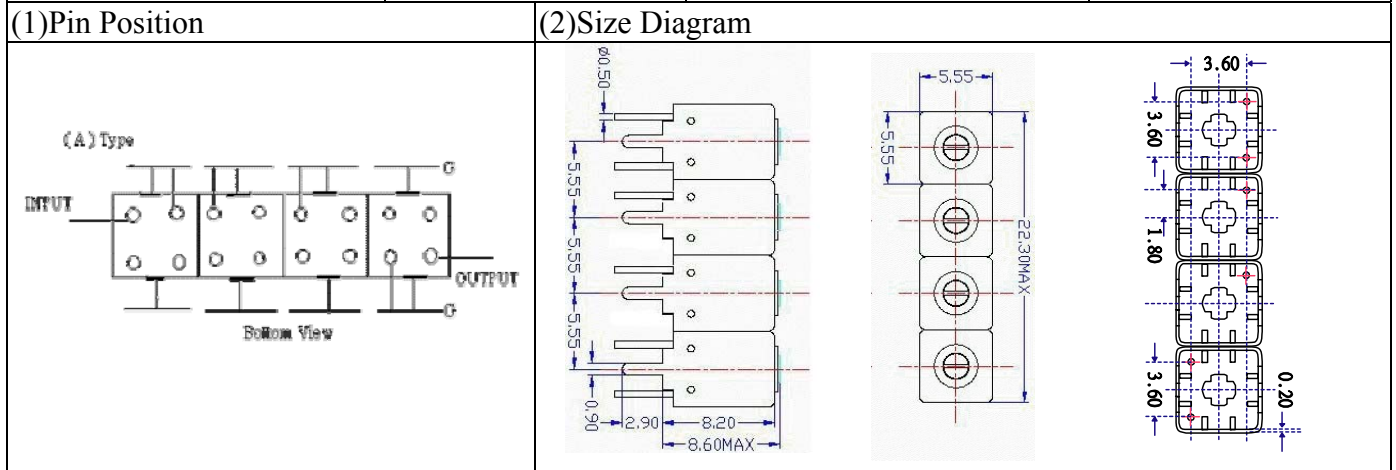


# VHF UHF Helical Filter Specification Sheet

Customer Name		Temwell's Part No.	TFW4888A-325M
Approval No. /dated	201801033CD	Temwell,s print Name	4888A 325M
Work Instruction No.	201801033CD	Date	Jan.29.2018



### (3)Electric Charasteric

Item	Specify	Performance	
Center Freq.(Fo ) +/- 0.5 %	325 MHz	325 MHz	
Insertion Loss	Typ. 5.0 dB	4.08 dB	
-3 dB Bandwidth	Typ. 10 MHz	12.4 MHz	
Sensitivity (Attenuation)	Fo - 50 MHz	Typ. 61 dBc	71 dBc
	Fo + 50 MHz	Typ. 71 dBc	81 dBc
	Fo - ( )MHz	Typ. dBc	dBc
	Fo +( )MHz	Typ. dBc	dBc
Return Loss	Min. 12 dB	37.9 dB	
Ripple	< 1 dB	dB	
Impedance	In / Out : 50 Ω	In / Out : 50 Ω	

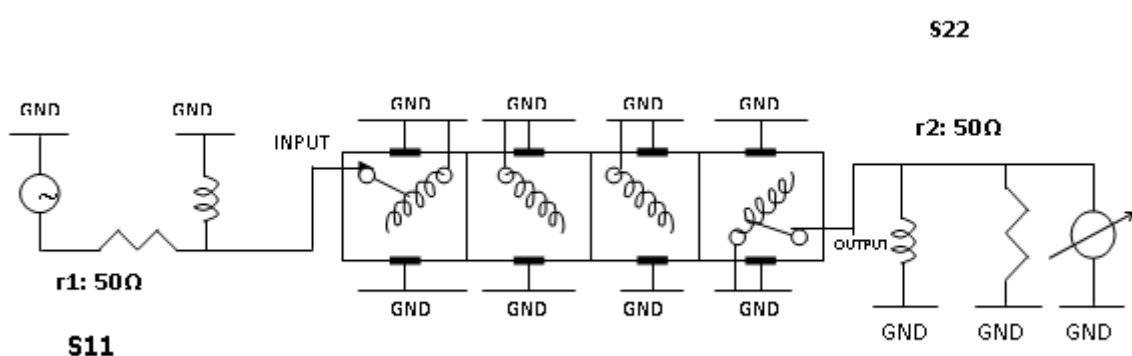
(4)Torque for Tuning Screw > 60gf • cm

### (5)Temperature Condition:

Operating Temperature	0°C ~ +60°C
Storage Temperature	-20°C ~ +70°C

(6)Input Power > 0.5Watt

(7) Measuring Circuit: ※Easy to match Impedance S11/S22 50Ω/50Ω by parallel with about(- -).



(Bottom View)

Approval	Supervisor	Designer	Aperture size
C.Y.Chang	C.K.Chang	C.H.Yeh	5W4S(3.8*3.5)(3.52) 5HW020RB3.5

TEMWELL CORPORATION

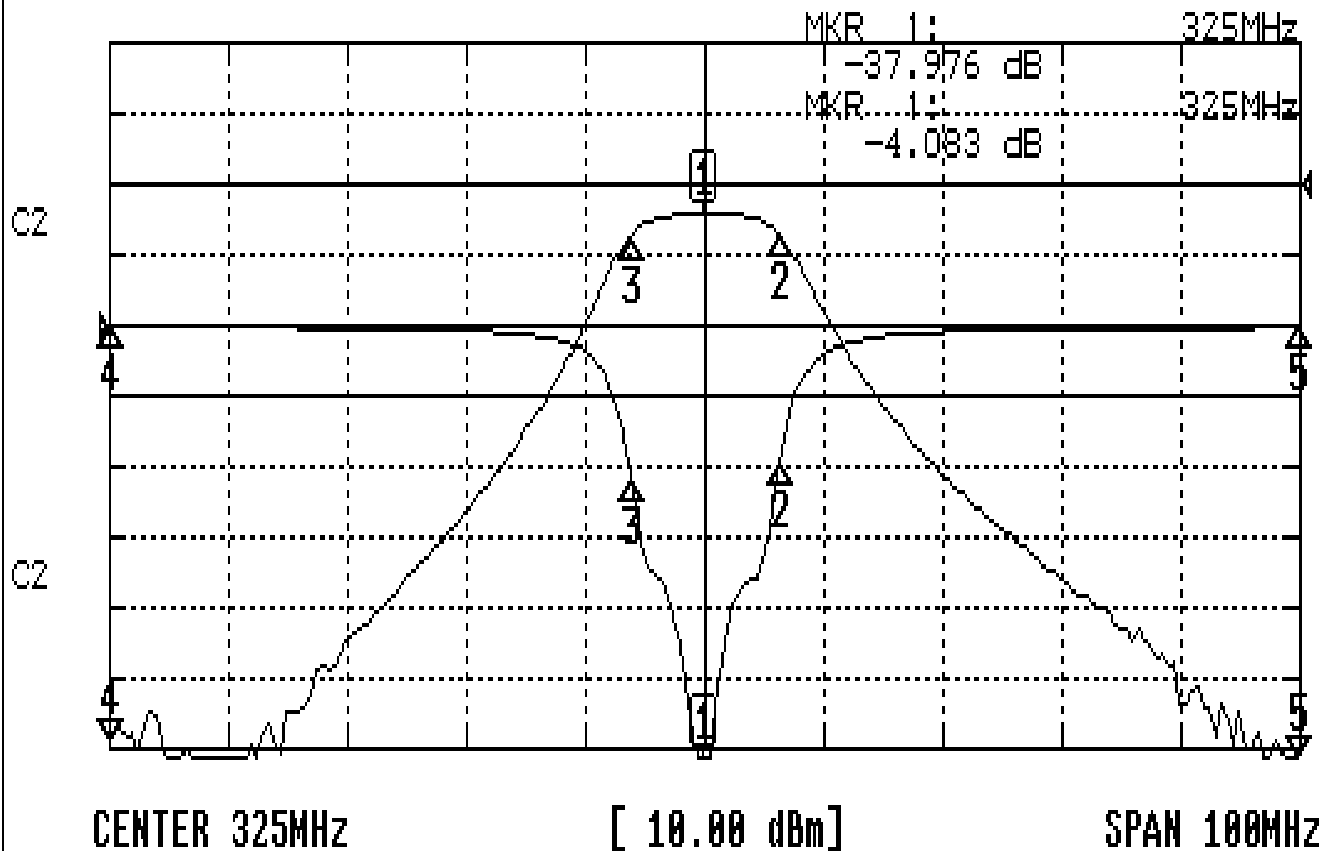
TEMWELL

Form10-5H4A Vision D(C.H.Y)

# Performance-TFW488A-325M

## 201801033CD

CH1 S11 LOG MAG REF 0.000 dB 5.000 dB/  
CH2 S21 LOG MAG REF 0.000 dB 10.000 dB/



### CH1 MARKER LIST

1	325.000MHz	-37.976 dB
2	331.320MHz	-9.876 dB
3	318.916MHz	-11.058 dB
4	275.000MHz	-0.094 dB
5	375.000MHz	-0.134 dB

### CH2 MARKER LIST

1	325.000MHz	-4.082 dB
2	331.320MHz	-7.066 dB
3	318.916MHz	-7.089 dB
4	275.000MHz	-75.754 dB
5	375.000MHz	-85.213 dB