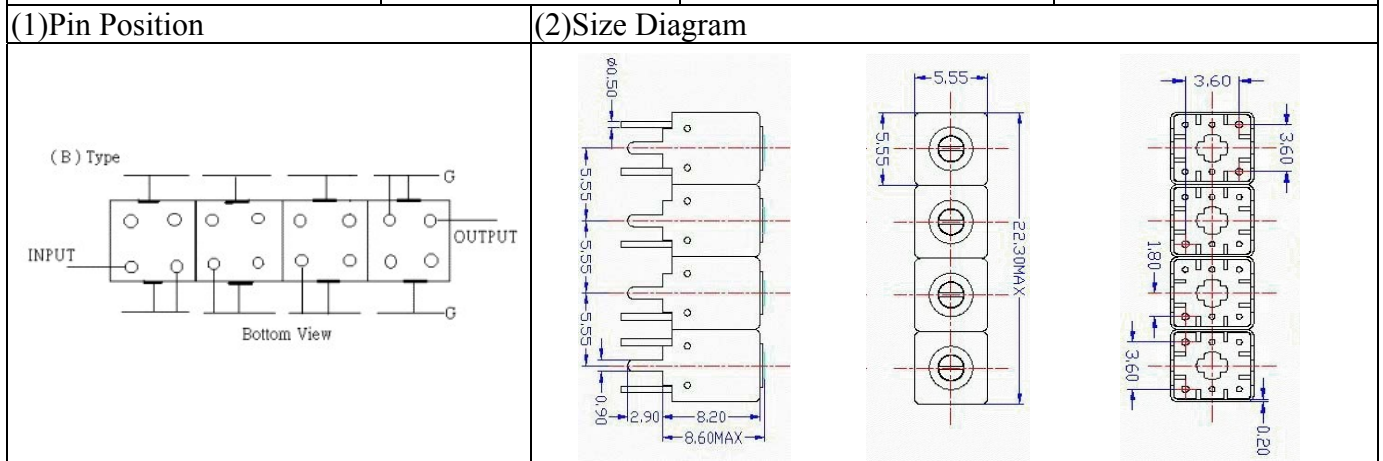
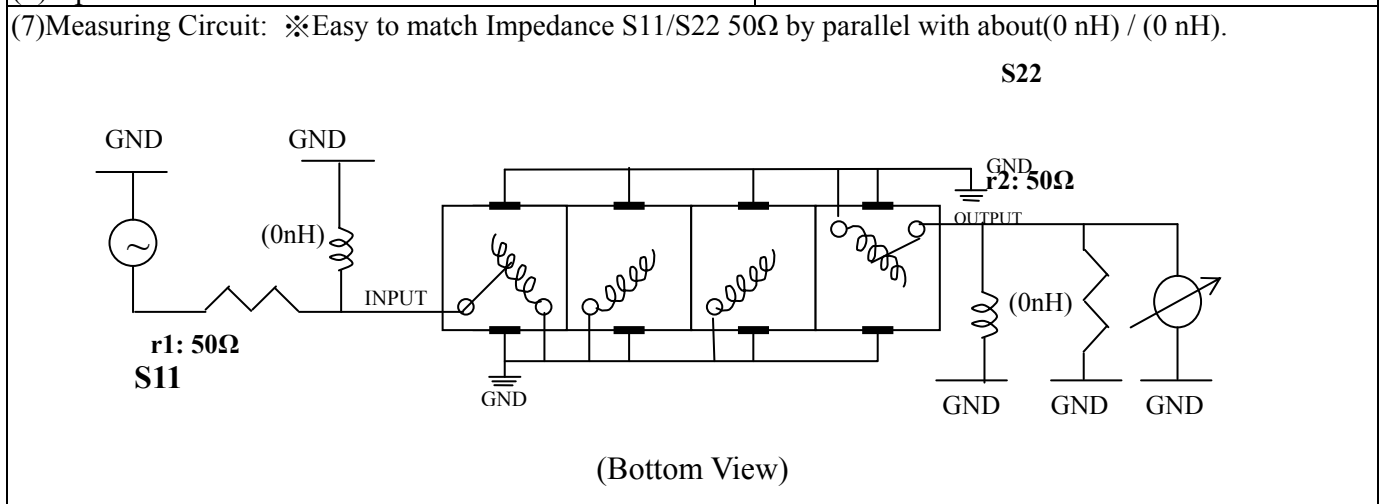


VHF UHF Helical Filter Specification Sheet

Customer Name		Temwell's Part No.	TFW4877B-2416M
Approval No. /dated	0610063APR	Acceptable Fo Specify Range	2401-2500MHz
Work Instruction No.	0610063DB	Date	Nov.15.2006



(3) Electric Characteristic		Item	Specify	Performance
		Center Freq.(Fo) +/- 0.5 %	2416 MHz	2416 MHz
		Insertion Loss	Typ. 3.0 dB	1.94 dB
		-1 dB Bandwidth	Typ. 170 MHz	182 MHz
		-3 dB Bandwidth	Typ. 175 MHz	187 MHz
Sensitivity (Attenuation)	Fo - 200 MHz	Typ. 24 dBc	27 dBc	
	Fo + 200 MHz	Typ. 14 dBc	17 dBc	
	Fo - ()MHz	Typ. dBc	dBc	
	Fo + ()MHz	Typ. dBc	dBc	
		Return Loss	Min. 12 dB	21.0 dB
		Ripple	< 1 dB	dB
		Impedance	In / Out : 50 Ω	In / Out : 50 Ω
(4) Torque for Tuning Screw		> 60gf · cm		
(5) Temperature Condition:				
Operating Temperature		0°C ~ +60°C		
Storage Temperature		-20°C ~ +70°C		
(6) Input Power		> 0.5Watt		

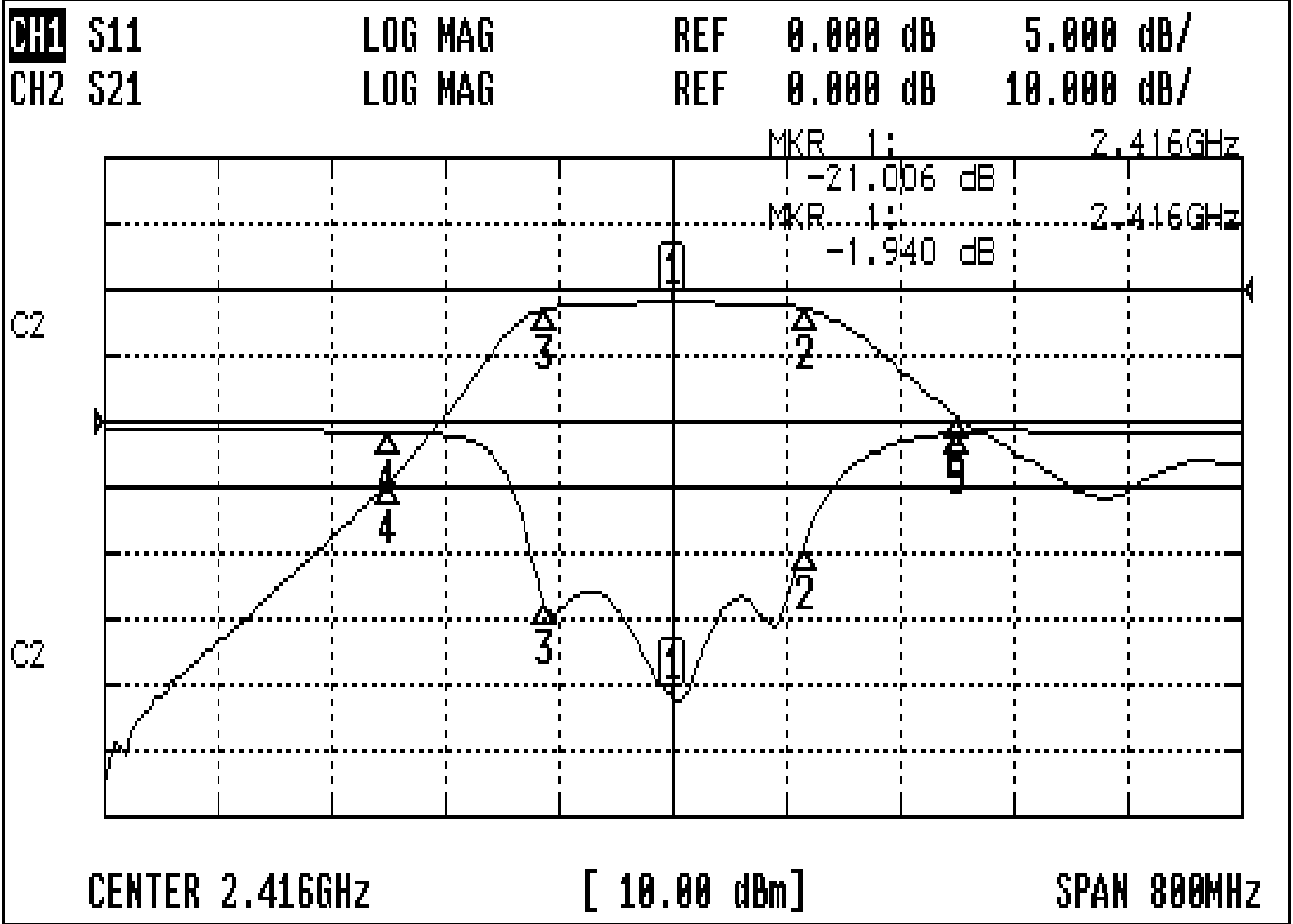


Approval	Supervisor	Designer	Aperture size
C.Y.Chang	C.S.Chang	C.S.Chang	5W4(3.8*5.1)(5.14) 5HW046RB4

TEMWELL CORPORATION

Performance-TFW4877B-2416M

0610063DB



CH1 MARKER LIST

1	2.416	000GHz	-21.006	dB
2	2.508	000GHz	-19.506	dB
3	2.326	000GHz	-13.843	dB
4	2.216	000GHz	-0.886	dB
5	2.616	000GHz	-0.846	dB

CH2 MARKER LIST

1	2.416	000GHz	-1.940	dB
2	2.508	000GHz	-2.929	dB
3	2.326	000GHz	-2.936	dB
4	2.216	000GHz	-29.365	dB
5	2.616	000GHz	-19.196	dB