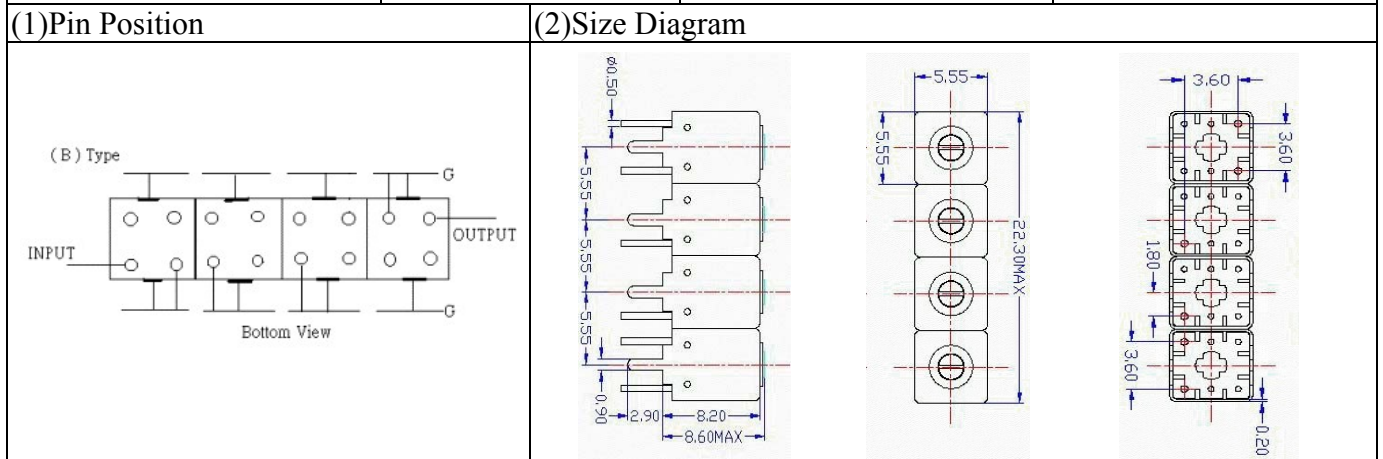
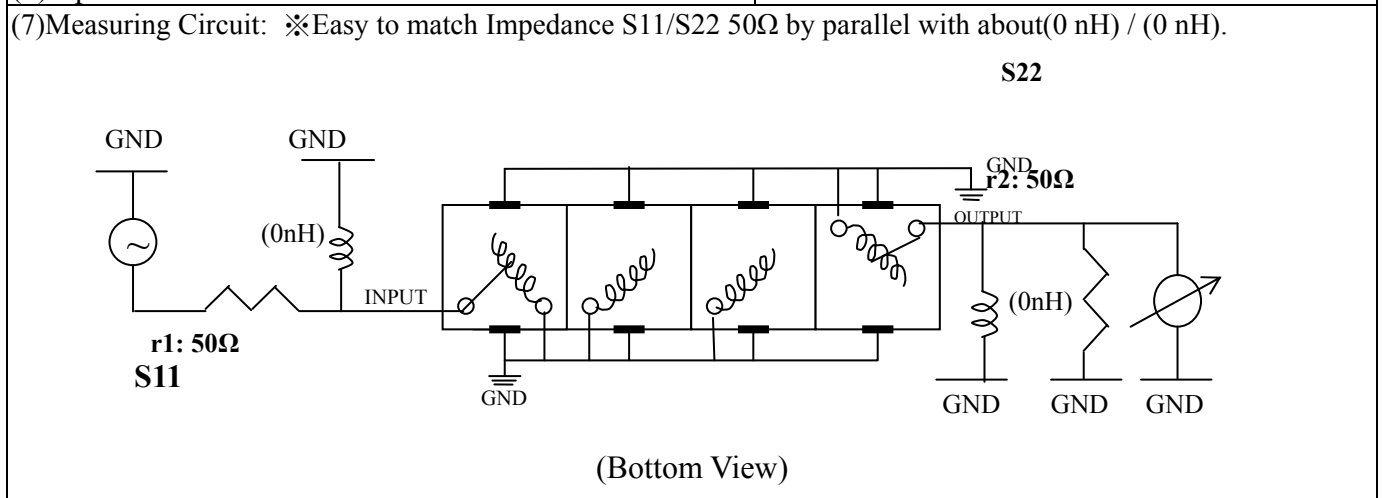


# VHF UHF Helical Filter Specification Sheet

Customer Name		Temwell's Part No.	TFW4874B-2101M
Approval No. /dated	0610060APR	Acceptable Fo Specify Range	2101-2150MHz
Work Instruction No.	0610060DB	Date	Nov.15.2006



Item		Specify	Performance
Center Freq.(Fo ) +/- 0.5 %		2101 MHz	2101 MHz
Insertion Loss		Typ. 3.0 dB	1.98 dB
-1 dB Bandwidth		Typ. 162 MHz	173 MHz
-3 dB Bandwidth		Typ. 167 MHz	178 MHz
Sensitivity (Attenuation)	Fo - 200 MHz	Typ. 29 dBc	32 dBc
	Fo + 200 MHz	Typ. 15 dBc	18 dBc
	Fo - ( )MHz	Typ. dBc	dBc
	Fo + ( )MHz	Typ. dBc	dBc
Return Loss		Min. 12 dB	21.2 dB
Ripple		< 1 dB	dB
Impedance		In / Out : 50 Ω	In / Out : 50 Ω
(4) Torque for Tuning Screw		> 60gf • cm	
(5) Temperature Condition:			
Operating Temperature		0°C ~ +60°C	
Storage Temperature		-20°C ~ +70°C	
(6) Input Power		> 0.5Watt	



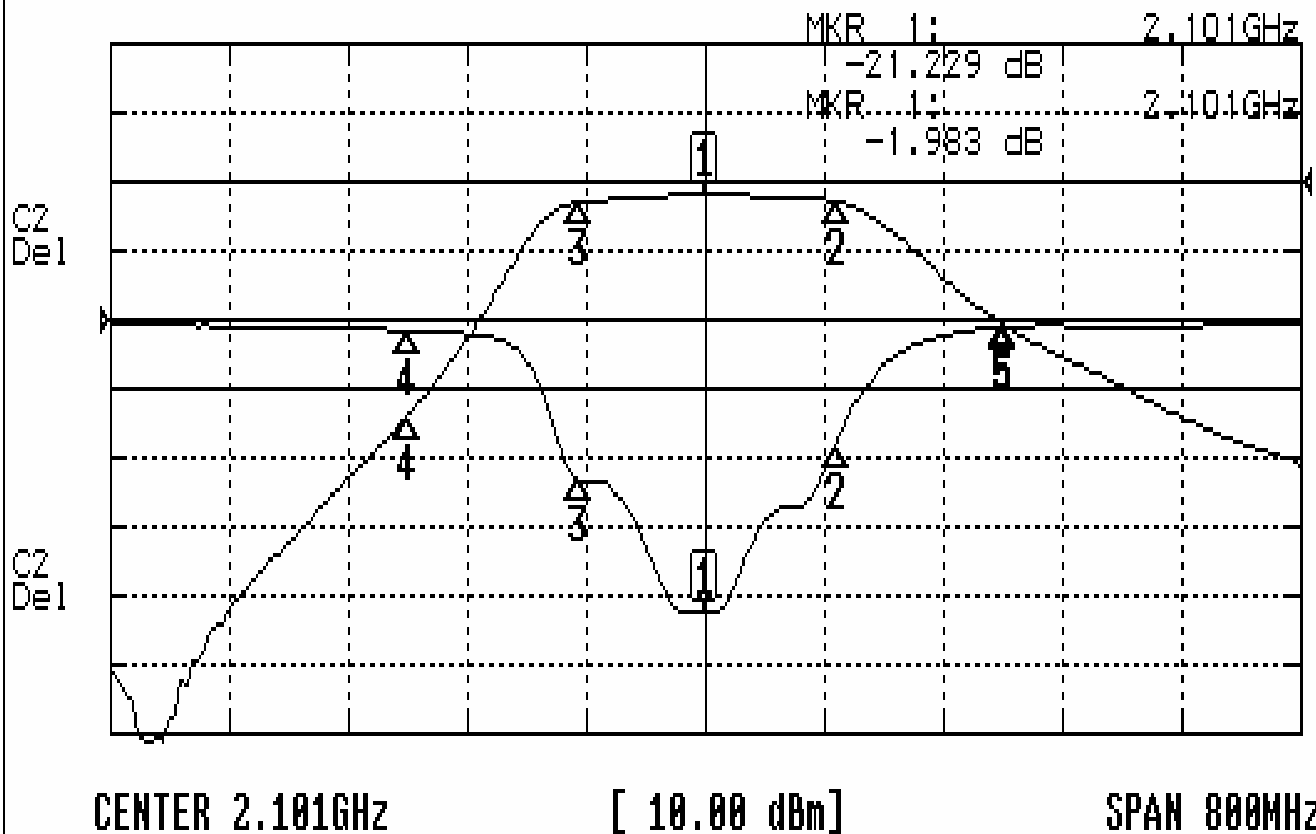
Approval	Supervisor	Designer	Aperture size
C.Y.Chang	C.S.Chang	C.S.Chang	5W4(3.8*5.1)(5.14) 5HW046RB4

TEMWELL CORPORATION

# Performance-TFW4874B-2101M

## 0610060DB

CH1 S11 LOG MAG REF 0.000 dB 5.000 dB/  
CH2 S21 LOG MAG REF 0.000 dB 10.000 dB/



### CH1 MARKER LIST

1:	2.101 000GHz	-21.229 dB
2:	2.189 666GHz	-8.922 dB
3:	2.016 333GHz	-11.612 dB
4:	1.901 000GHz	-0.810 dB
5:	2.301 000GHz	-0.550 dB

### CH2 MARKER LIST

1:	2.101 000GHz	-1.982 dB
2:	2.189 666GHz	-2.967 dB
3:	2.016 333GHz	-2.981 dB
4:	1.901 000GHz	-33.984 dB
5:	2.301 000GHz	-20.790 dB