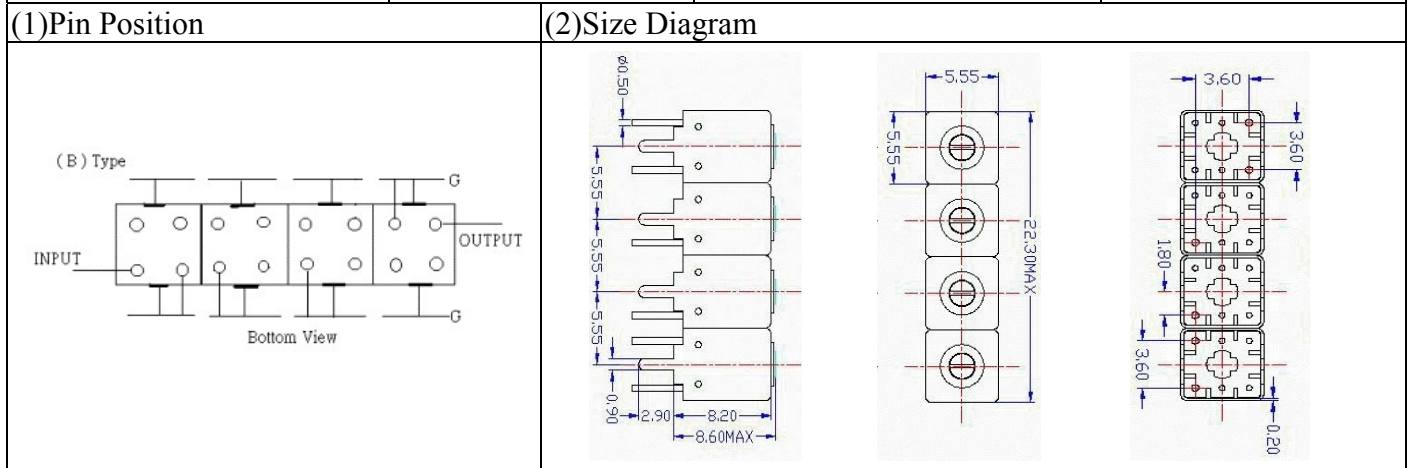


VHF UHF Helical Filter Specification Sheet

| | | | |
|----------------------|--------------|----------------------|----------------|
| Customer Name | | Temwell's Part No. | TFW4818B-1884M |
| Approval No. /dated | 200902141APR | Temwell,s print Name | 4818B 1884M |
| Work Instruction No. | 200902141BD | Date | Mar.03.2009 |



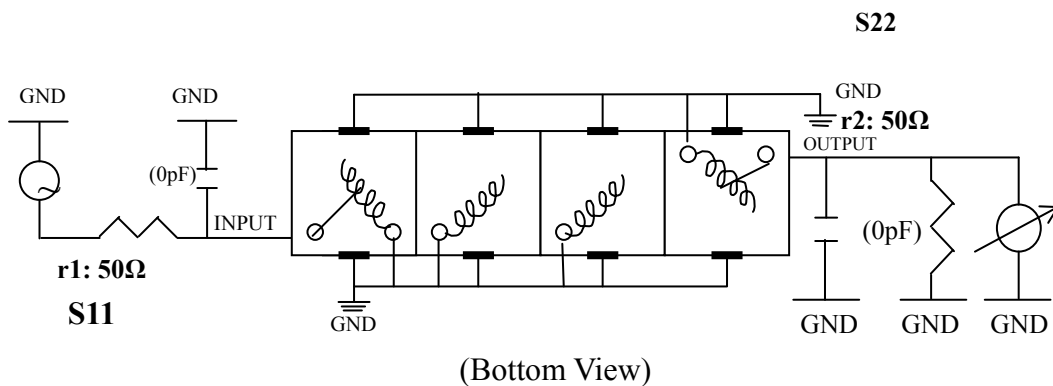
(3) Electric Charasteric

| Item | Specify | Performance | |
|------------------------------|-----------------|-----------------|--------|
| Center Freq.(Fo) +/- 0.5 % | 1884 MHz | 1884 MHz | |
| Insertion Loss | Typ. 3.5 dB | 2.62 dB | |
| -3 dB Bandwidth | Typ. 70 MHz | 88.2 MHz | |
| Sensitivity (Attenuation) | Fo - 100 MHz | Typ. 36 dBc | 39 dBc |
| | Fo + 100 MHz | Typ. 25 dBc | 28 dBc |
| | Fo - ()MHz | Typ. dBc | dBc |
| | Fo +()MHz | Typ. dBc | dBc |
| Return Loss | Min. 12 dB | 23.7 dB | |
| Ripple | < 1 dB | dB | |
| Impedance | In / Out : 50 Ω | In / Out : 50 Ω | |
| (4) Torque for Tuning Screw | > 100gf · cm | | |

(5) Temperature Condition:

| | |
|-----------------------|---------------|
| Operating Temperature | 0°C ~ +60°C |
| Storage Temperature | -20°C ~ +70°C |
| (6) Input Power | > 0.5Watt |

(7) Measuring Circuit: ※Easy to match Impedance S11/S22 50Ω by parallel with about(0pF) / (0pF).



| | | | |
|-----------|------------|-----------|------------------------------------|
| Approval | Supervisor | Designer | Aperture size |
| C.Y.Chang | C.K.Chang | C.S.Chang | 5W4S(3.8*4.0)(4.05) 5HW046RB3.2 |

TEMWELL CORPORATION

Performance-TFW4818B-1884M

200902141BD

▶ Tr1 S11 Log Mag 5.000dB/ Ref 0.000dB [F2]
Tr2 S21 Log Mag 10.00dB/ Ref 0.000dB [F2]

| | | | | | |
|---|---------------|------------|----|---------------|------------|
| 1 | 1.8840000 GHz | -2.6222 dB | >1 | 1.8840000 GHz | -23.704 dB |
| 2 | 1.9193690 GHz | -3.6098 dB | 2 | 1.9193690 GHz | -22.420 dB |
| 3 | 1.8536870 GHz | -3.6496 dB | 3 | 1.8536870 GHz | -12.695 dB |
| 4 | 1.7840000 GHz | -42.499 dB | 4 | 1.7840000 GHz | -0.7934 dB |
| 5 | 1.9840000 GHz | -30.765 dB | 5 | 1.9840000 GHz | -0.5569 dB |
| 6 | 1.9282000 GHz | -5.6238 dB | 6 | 1.9282000 GHz | -8.5875 dB |
| 7 | 1.8400700 GHz | -5.6474 dB | 7 | 1.8400700 GHz | -16.079 dB |



1 Center 1.884 GHz

IFBW 10 kHz

Span 400 MHz