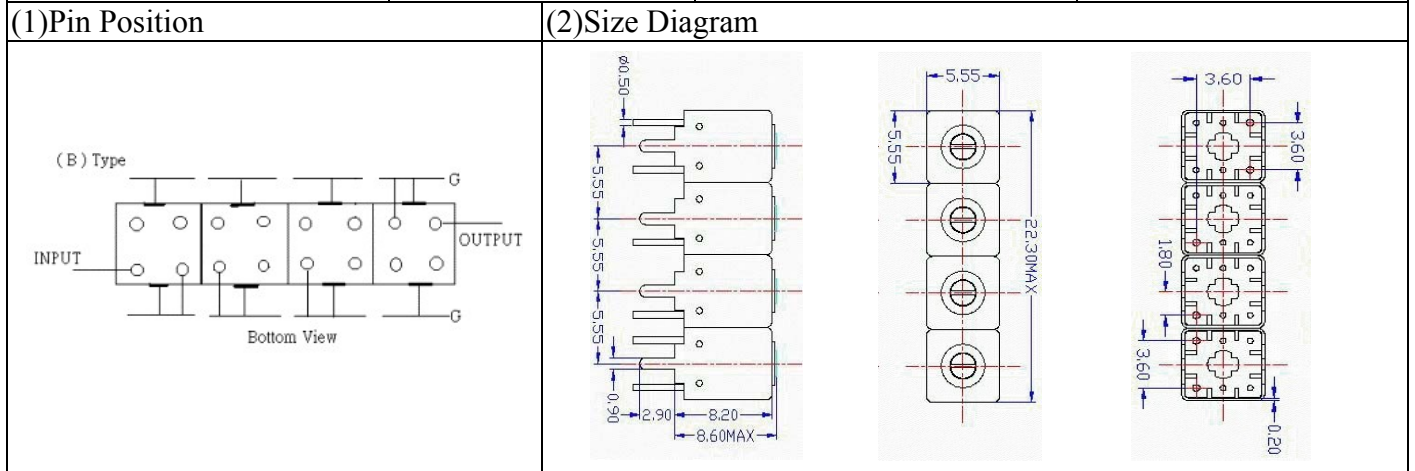


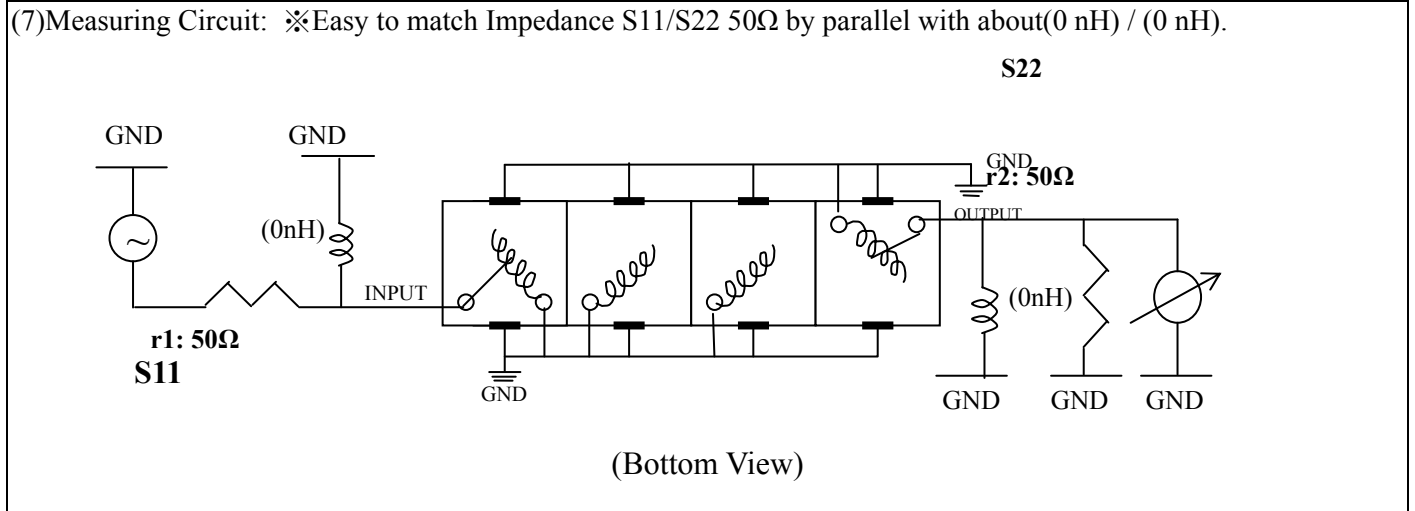
VHF UHF Helical Filter Specification Sheet

Customer Name		Temwell's Part No.	TFW4796B-2125M
Approval No. /dated	0707273APR	Acceptable Fo Specify Range	2101-2150MHz
Work Instruction No.	0707273DB	Date	Jul.26.2007



(3) Electric Characteristic			
Item		Specify	Performance
Center Freq.(Fo) +/- 0.5 %		2125 MHz	2125 MHz
Insertion Loss		Typ. 4.5 dB	3.77 dB
-3 dB Bandwidth		Typ. 66 MHz	77 MHz
Sensitivity (Attenuation)	Fo - 100 MHz	Typ. 36 dBc	39 dBc
	Fo + 100 MHz	Typ. 26 dBc	29 dBc
	Fo - ()MHz	Typ. dBc	dBc
	Fo +()MHz	Typ. dBc	dBc
Return Loss		Min. 12 dB	16.0 dB
Ripple		< 1 dB	dB
Impedance		In / Out : 50 Ω	In / Out : 50 Ω
(4) Torque for Tuning Screw		> 60gf • cm	

(5) Temperature Condition:	
Operating Temperature	0°C ~ +60°C
Storage Temperature	-20°C ~ +70°C
(6) Input Power	> 0.5Watt

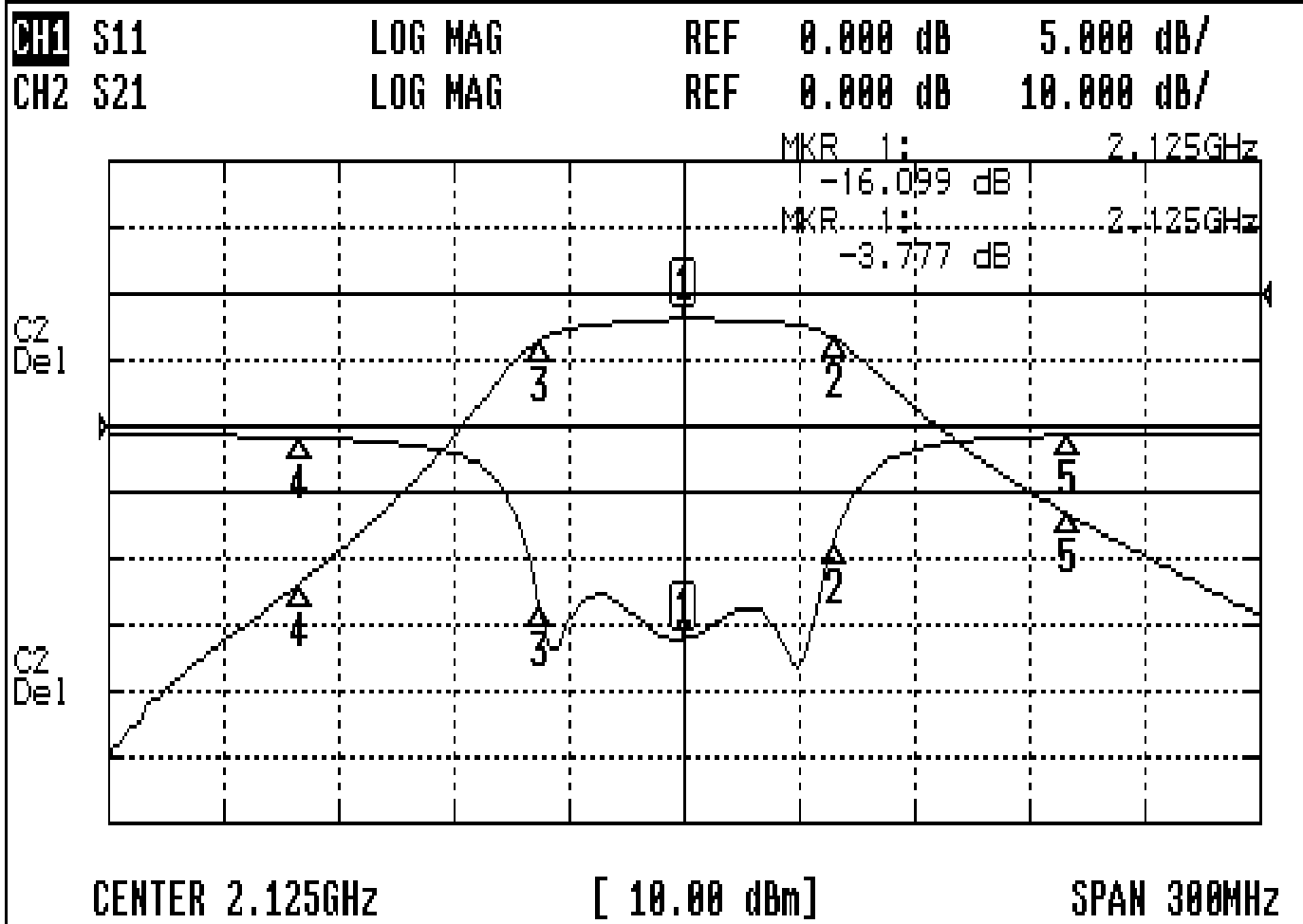


Approval	Supervisor	Designer	Aperture size
C.Y.Chang	C.S.Chang	C.S.Chang	5W4(3.8*4.0) 5HW046RB3.2

TEMWELL CORPORATION

Performance-TFW4796B-2125M

0707273DB



CH1 MARKER LIST

Marker	Freq (GHz)	Magnitude (dB)
1	2.125000	-16.099
2	2.164000	-10.842
3	2.087500	-13.639
4	2.025000	-0.865
5	2.225000	-0.692

CH2 MARKER LIST

Marker	Freq (GHz)	Magnitude (dB)
1	2.125000	-3.777
2	2.164000	-6.727
3	2.087500	-6.778
4	2.025000	-43.686
5	2.225000	-33.274