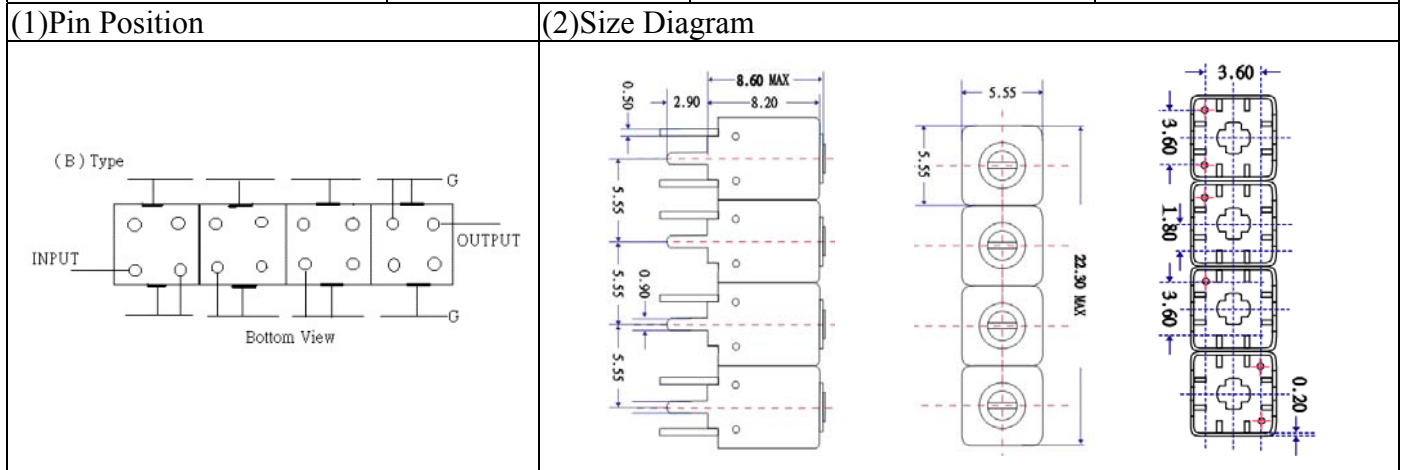


# VHF UHF Helical Filter Specification Sheet

Customer Name		Temwell's Part No.	TFW4788B-875M
Approval No. /dated	201803061CD	Temwell's Print name	4788B 875M
Work Instruction No.	201803061CD	Date	Apr.10.2018



(3) Electric Characteristic

Item	Specify	Performance	
Center Freq.(Fo ) +/- 0.5 %	875 MHz	875 MHz	
Insertion Loss	Typ. 3.0 dB	1.76 dB	
-3 dB Bandwidth	Typ. 60 MHz	70.7 MHz	
Sensitivity (Attenuation)	Fo - 100 MHz	Typ. 51 dBc	56 dBc
	Fo + 100 MHz	Typ. 29 dBc	34 dBc
	Fo - ( )MHz	Typ. dBc	dBc
	Fo +( )MHz	Typ. dBc	dBc
Return Loss	Min. 12 dB	24.8 dB	
Ripple	< 1 dB	dB	
Impedance	In / Out : 50 Ω	In / Out : 50 Ω	

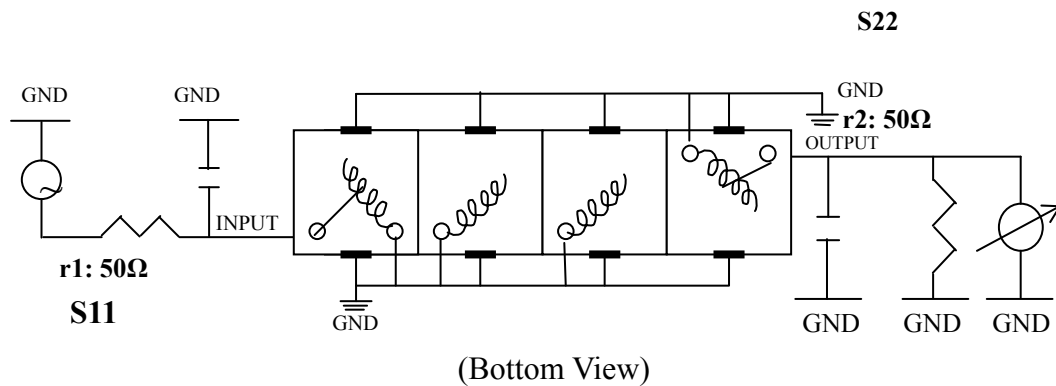
(4) Torque for Tuning Screw > 60gf · cm

(5) Temperature Condition:

Operating Temperature	0°C ~ +60°C
Storage Temperature	-20°C ~ +70°C

(6) Input Power > 0.5Watt

(7) Measuring Circuit: ※Easy to match Impedance S11/S22 50Ω by parallel with about(- -).

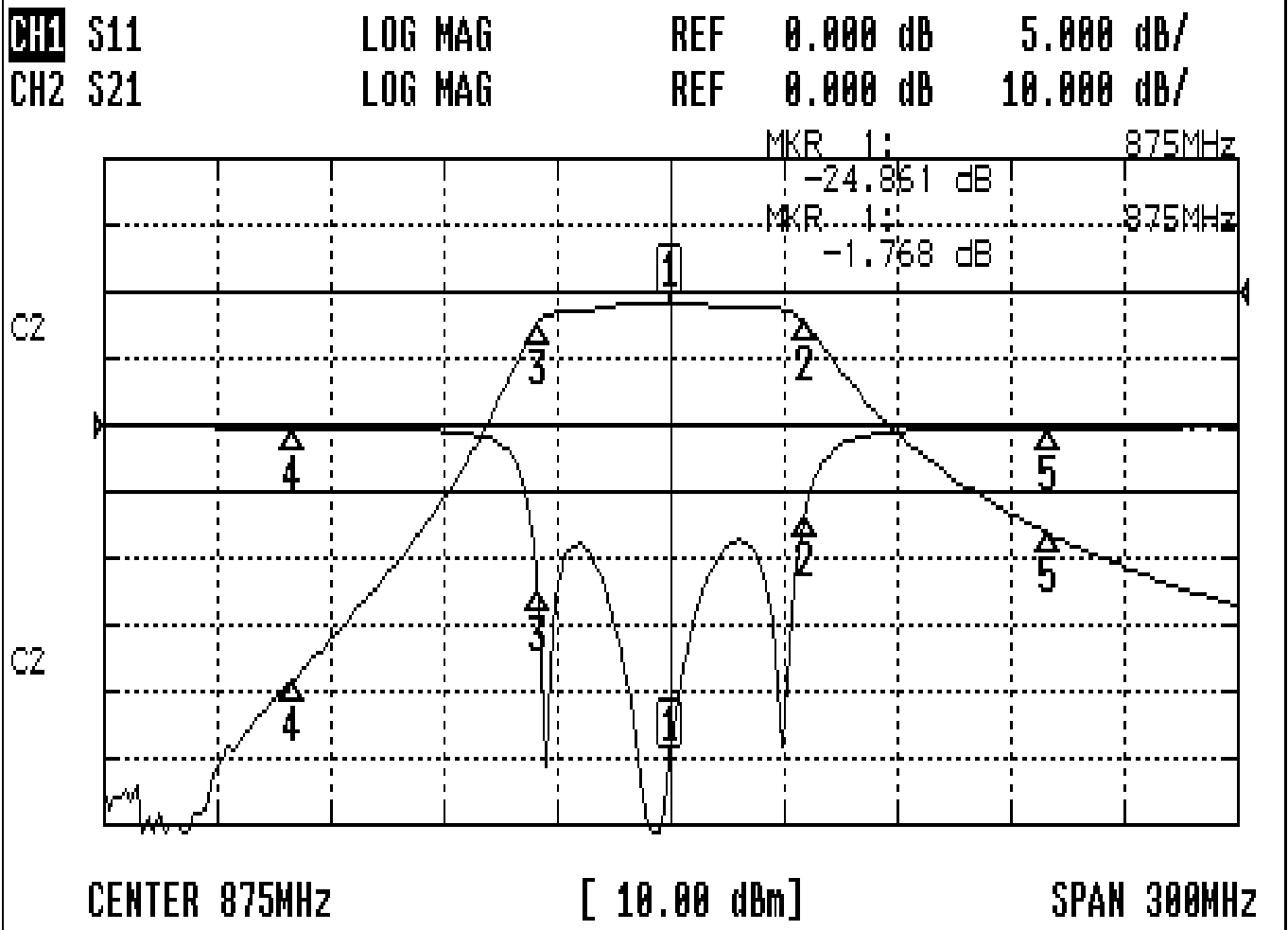


Approval	Supervisor	Designer	Aperture size
C.Y.Chang	C.K.Chang	M.Y.Kang	5W4S(3.8*5.1)(5.13) 5HW046RB3.2

TEMWELL CORPORATION

# Performance-TFW4788B-875M

## 201803061CD



### CH1 MARKER LIST

1:	875.000MHz	-24.861 dB
2:	910.750MHz	-6.525 dB
3:	840.000MHz	-12.338 dB
4:	775.000MHz	-0.189 dB
5:	975.000MHz	-0.191 dB

### CH2 MARKER LIST

1:	875.000MHz	-1.768 dB
2:	910.750MHz	-4.772 dB
3:	840.000MHz	-4.729 dB
4:	775.000MHz	-35.152 dB
5:	975.000MHz	-36.224 dB