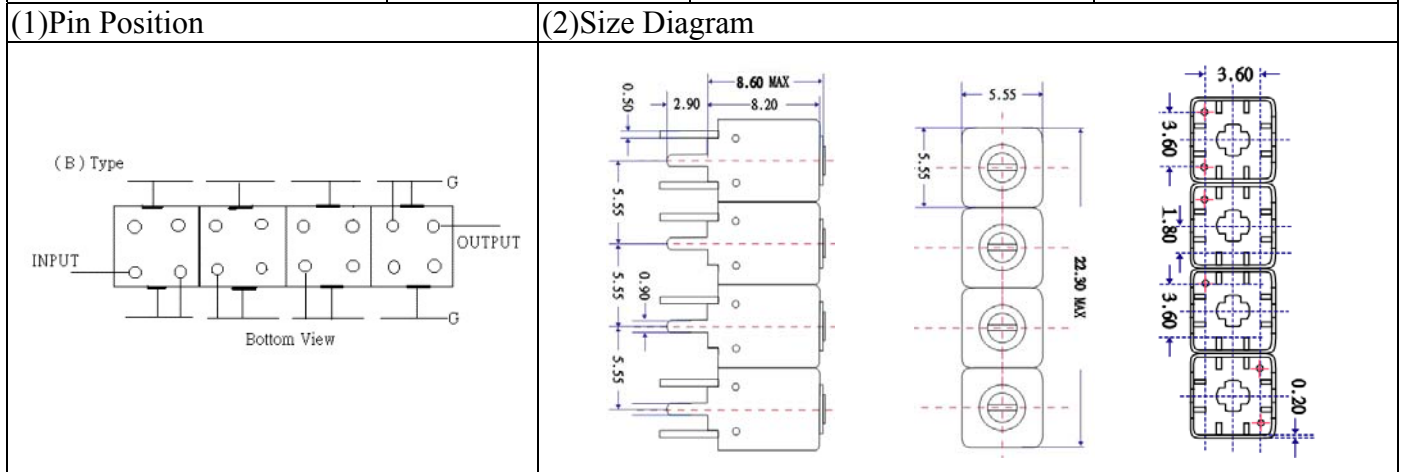


VHF UHF Helical Filter Specification Sheet

Customer Name		Temwell's Part No.	TFW4781B-925M
Approval No. /dated	201803065CD	Temwell's Print name	4781B 925M
Work Instruction No.	201803065CD	Date	Apr.10.2018



(3) Electric Characteristic

Item		Specify		Performance	
Center Freq.(Fo) +/- 0.5 %		925	MHz	925	MHz
Insertion Loss		Typ. 4.0	dB	2.99	dB
-3 dB Bandwidth		Typ. 50	MHz	56.9	MHz
Sensitivity (Attenuation)	Fo - 100 MHz	Typ. 55	dBc	60	dBc
	Fo + 100 MHz	Typ. 33	dBc	38	dBc
	Fo - ()MHz	Typ.	dBc		dBc
	Fo +()MHz	Typ.	dBc		dBc
Return Loss		Min. 12	dB	18.1	dB
Ripple		< 1 dB		dB	
Impedance		In / Out : 50 Ω		In / Out : 50 Ω	

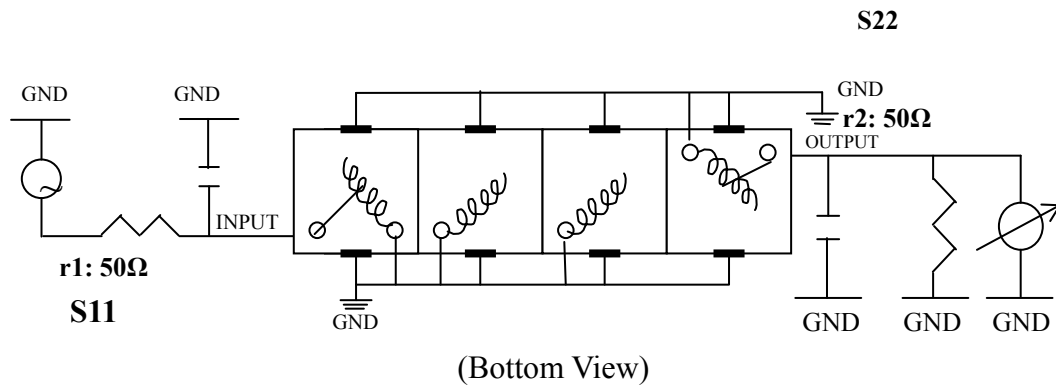
(4) Torque for Tuning Screw > 60gf · cm

(5) Temperature Condition:

Operating Temperature	0°C ~ +60°C
Storage Temperature	-20°C ~ +70°C

(6) Input Power > 0.5Watt

(7) Measuring Circuit: ※Easy to match Impedance S11/S22 50Ω by parallel with about(- -).



Approval C.Y.Chang	Supervisor C.K.Chang	Designer C.S.Chang	Aperture size 5W4S(3.8*5.1)(5.12) 5HW046RB3.2
-----------------------	-------------------------	-----------------------	-----------------------------------------------------

TEMWELL CORPORATION

Performance-TFW4781B-925M

201803065CD

