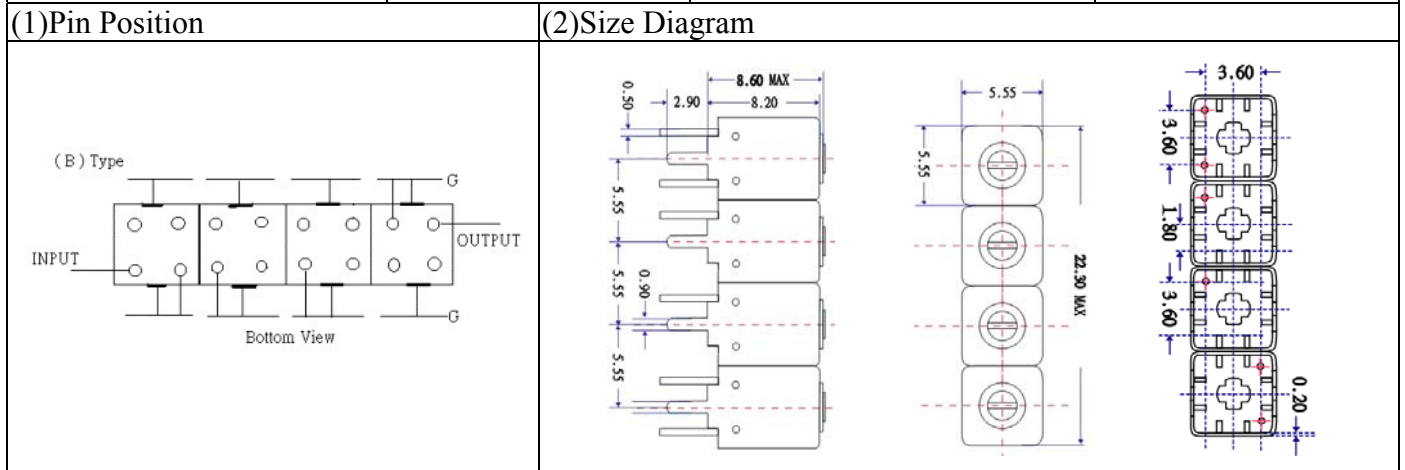


VHF UHF Helical Filter Specification Sheet

Customer Name		Temwell's Part No.	TFW4772B-875M
Approval No. /dated	201803060CD	Temwell's Print name	4772B 875M
Work Instruction No.	201803060CD	Date	Apr.09.2018



(3) Electric Characteristic

Item	Specify	Performance	
Center Freq.(Fo) +/- 0.5 %	875 MHz	875 MHz	
Insertion Loss	Typ. 3.5 dB	2.25 dB	
-3 dB Bandwidth	Typ. 40 MHz	50.2 MHz	
Sensitivity (Attenuation)	Fo - 100 MHz	Typ. 56 dBc	66 dBc
	Fo + 100 MHz	Typ. 37 dBc	42 dBc
	Fo - ()MHz	Typ. dBc	dBc
	Fo +()MHz	Typ. dBc	dBc
Return Loss	Min. 12 dB	21.6 dB	
Ripple	< 1 dB	dB	
Impedance	In / Out : 50 Ω	In / Out : 50 Ω	
(4) Torque for Tuning Screw	> 60gf · cm		

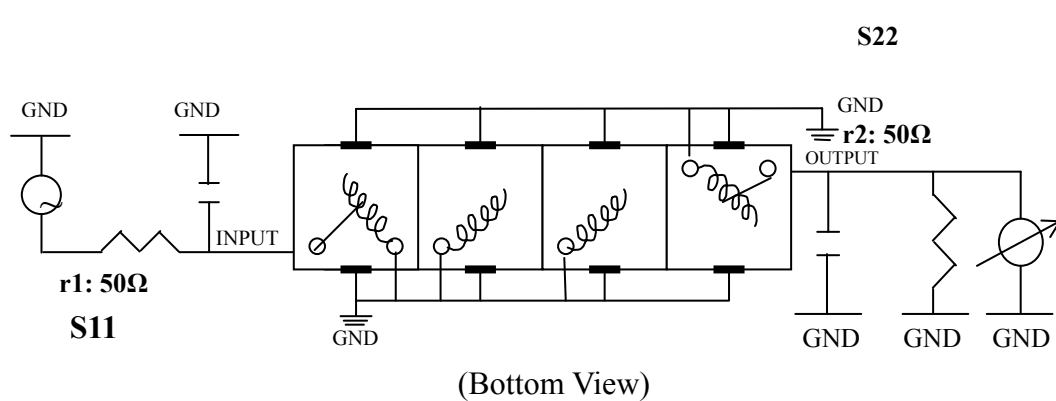
(5) Temperature Condition:

Operating Temperature	0°C ~ +60°C
Storage Temperature	-20°C ~ +70°C

(6) Input Power

> 0.5Watt

(7) Measuring Circuit: ※Easy to match Impedance S11/S22 50Ω by parallel with about(- -).

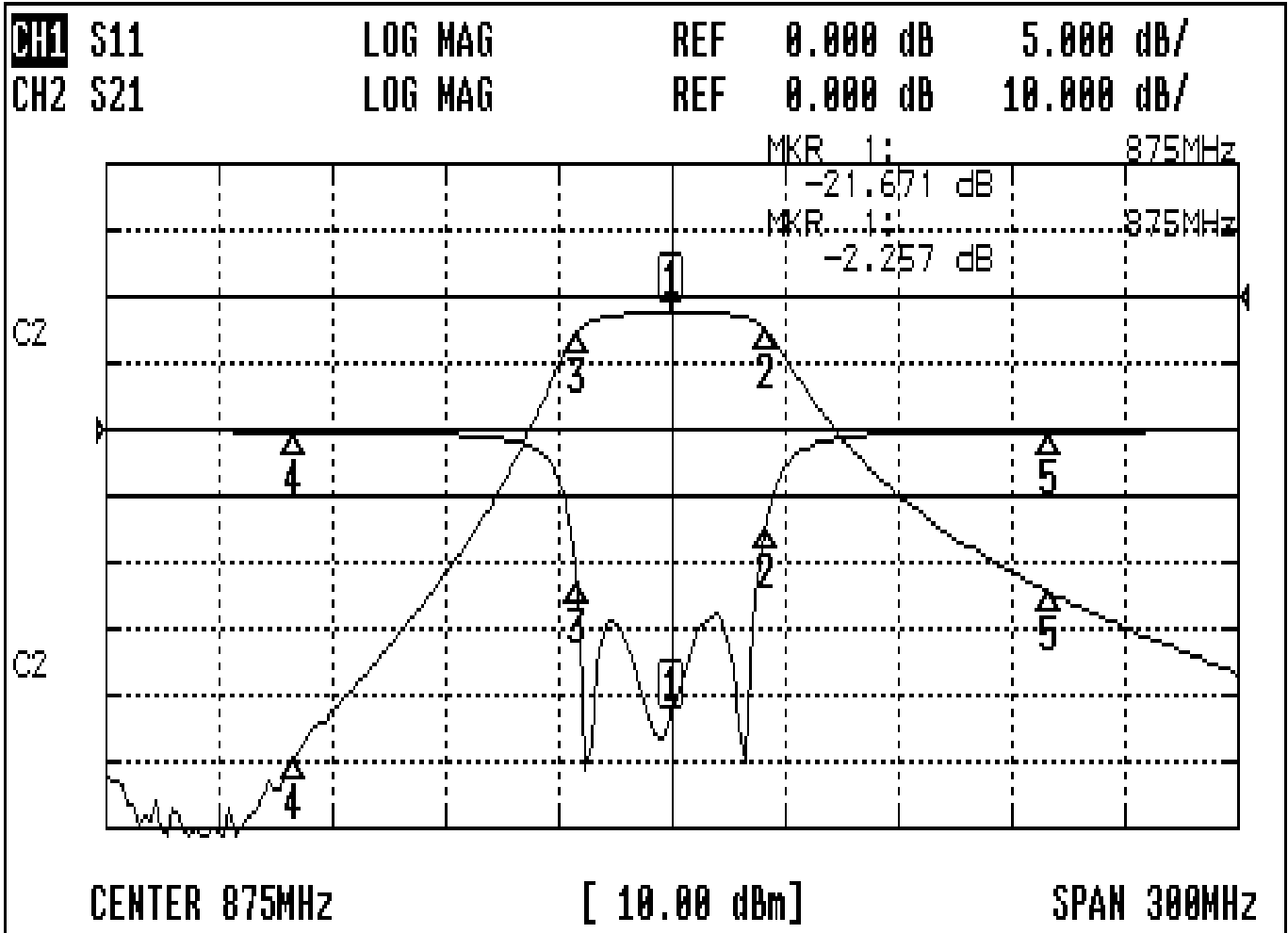


Approval	Supervisor	Designer	Aperture size
C.Y.Chang	C.K.Chang	M.Y.Kang	5W4S(3.8*4.5)(4.56) 5HW046RB3.2

TEMWELL CORPORATION

Performance-TFW4772B-875M

201803060CD



CH1 MARKER LIST

1:	875.000MHz	-21.671 dB
2:	900.250MHz	-7.044 dB
3:	850.000MHz	-11.599 dB
4:	775.000MHz	-0.181 dB
5:	975.000MHz	-0.156 dB

CH2 MARKER LIST

1:	875.000MHz	-2.255 dB
2:	900.250MHz	-15.279 dB
3:	850.000MHz	-15.220 dB
4:	775.000MHz	-60.989 dB
5:	975.000MHz	-44.487 dB