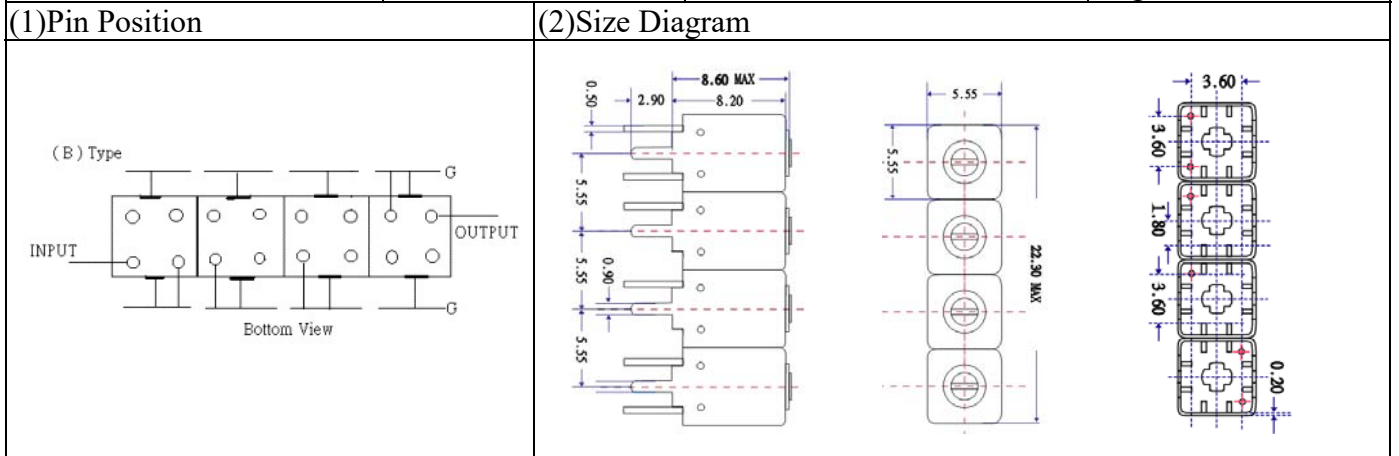


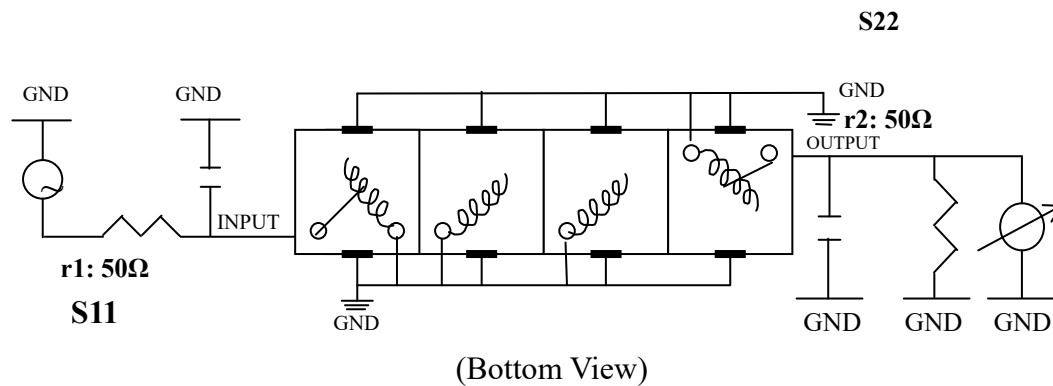
# VHF UHF Helical Filter Specification Sheet

Customer Name		Temwell's Part No.	TFW4736B-2450M
Approval No. /dated		Temwell's Print name	4736B 2450M
Work Instruction No.	202007058CD	Date	Aug.19.2020



(3)Electric Charasteric		Item	Specify	Performance
Center Freq.(Fo ) +/- 0.5 %			2450 MHz	2450 MHz
Insertion Loss		Typ.	5.0 dB	3.92 dB
-3 dB Bandwidth		Typ.	47 MHz	56.5 MHz
Sensitivity (Attenuation )	Fo - 150 MHz	Typ.	49 dBc	54 dBc
	Fo + 150 MHz	Typ.	36 dBc	41 dBc
	Fo - ( )MHz	Typ.	dBc	dBc
	Fo +( )MHz	Typ.	dBc	dBc
Return Loss		Min.	12 dB	25.0 dB
Ripple			< 1 dB	dB
Impedance			In / Out : 50 Ω	In / Out : 50 Ω
(4)Torque for Tuning Screw			> 60gf · cm	
(5)Temperature Condition:				
Operating Temperature			0°C ~ +60°C	
Storage Temperature			-20°C ~ +70°C	
(6)Input Power			> 0.5Watt	

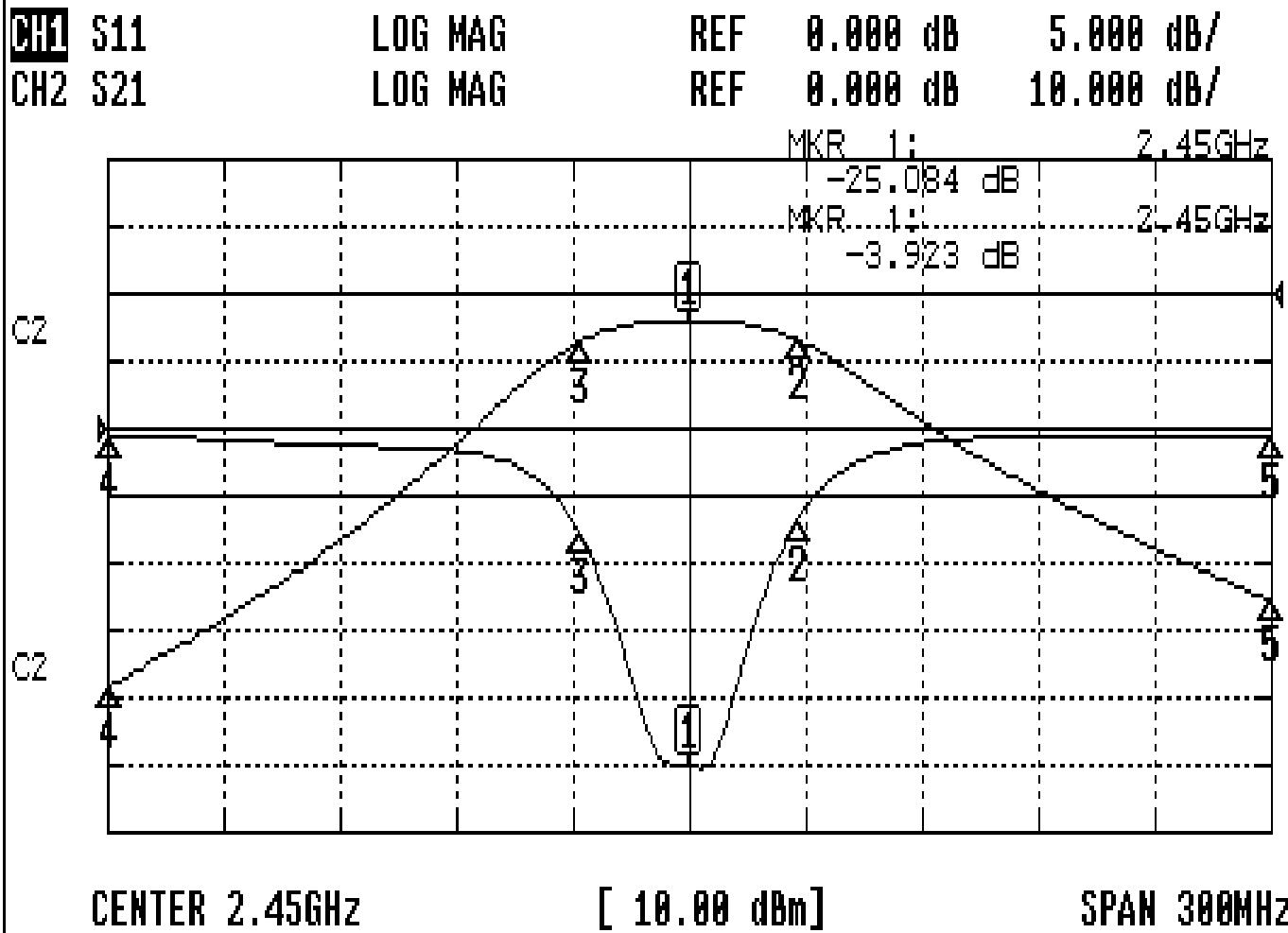
(7)Measuring Circuit: ※Easy to match Impedance S11/S22 50Ω by parallel with about(- -).



Approval	Supervisor	Designer	Aperture size
C.C.Chang	C.K.Chang	C.H.Yeh	5W4S(3.8*4.0)(4.02) 5HW046RB3.2 (J1)
TEMWELL CORPORATION			

# Performance-TFW4736B-2450M

## 202007058CD



### CH1 MARKER LIST

1:	2.450	000GHz	-25.084	dB
2:	2.478	250GHz	-6.676	dB
3:	2.421	750GHz	-7.694	dB
4:	2.300	000GHz	-0.452	dB
5:	2.600	000GHz	-0.645	dB

### CH2 MARKER LIST

1:	2.450	000GHz	-3.923	dB
2:	2.478	250GHz	-6.928	dB
3:	2.421	750GHz	-6.948	dB
4:	2.300	000GHz	-18.706	dB
5:	2.600	000GHz	-45.440	dB