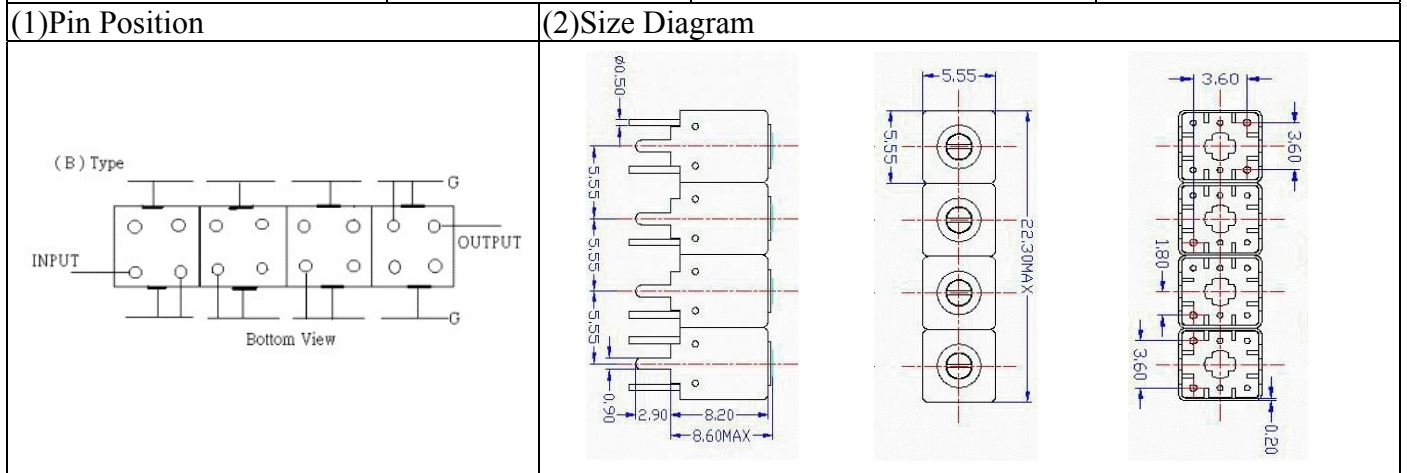


# VHF UHF Helical Filter Specification Sheet

Customer Name		Temwell's Part No.	TFW4724B-2320M
Approval No. /dated	0803021APR	Temwell,s print Name	2301~2350M
Work Instruction No.	0803021CD	Date	Jun.17.2008



(3)Electric Charasteric

Item	Specify	Performance	
Center Freq.(Fo ) +/- 0.5 %	2320 MHz	2320 MHz	
Insertion Loss	Typ. 5.5 dB	4.42 dB	
-3 dB Bandwidth	Typ. 54 MHz	66 MHz	
Sensitivity (Attenuation)	Fo - 100 MHz	Typ. 35 dBc	38 dBc
	Fo + 100 MHz	Typ. 25 dBc	28 dBc
	Fo - ( )MHz	Typ. dBc	dBc
	Fo +( )MHz	Typ. dBc	dBc
Return Loss	Min. 12 dB	19.6 dB	
Ripple	< 1 dB	dB	
Impedance	In / Out : 50 Ω	In / Out : 50 Ω	

(4)Torque for Tuning Screw

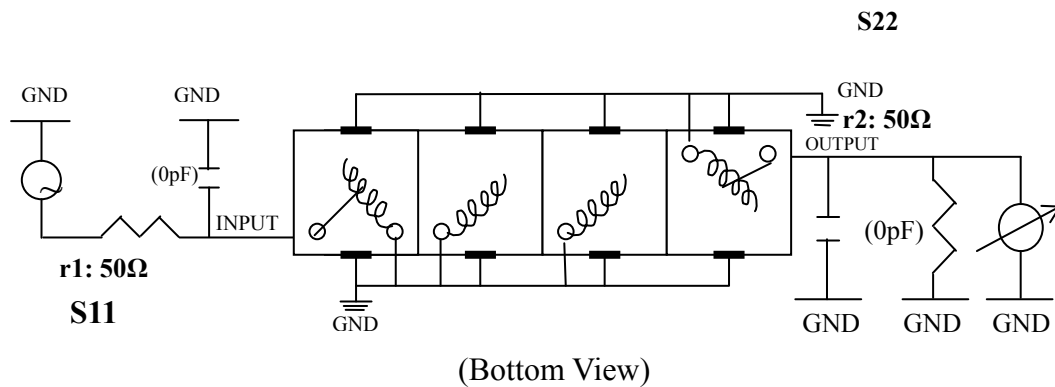
> 60gf · cm

(5)Temperature Condition:

Operating Temperature	0°C ~ +60°C
Storage Temperature	-20°C ~ +70°C

(6)Input Power	> 0.5Watt
----------------	-----------

(7)Measuring Circuit: ※Easy to match Impedance S11/S22 50Ω by parallel with about( 0pF) / ( 0pF).



Approval	Supervisor	Designer	Aperture size
C.Y.Chang	C.S.Chang	C.S.Chang	5W4(3.8*4.0) 5HW046RB3.2

TEMWELL CORPORATION

TEMWELL

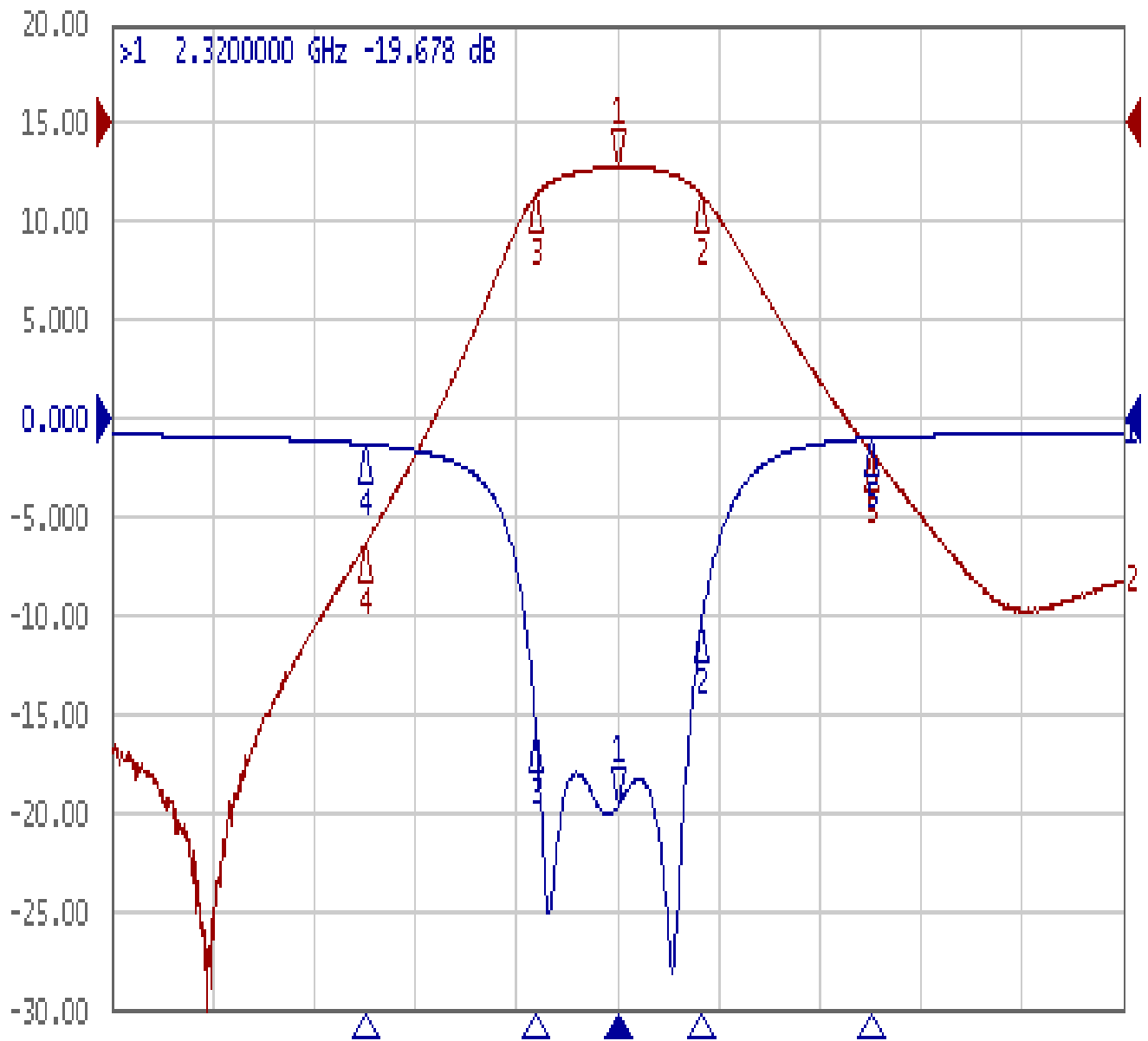
Form10-5H4B Vision D

RP:C.S.Chang

# Performance-TFW4724B-2320M

## 0803021CD

▶ Tr1 S11 Log Mag 5.000dB/ Ref 0.000dB [F3]  
Tr2 S21 Log Mag 10.00dB/ Ref 0.000dB [F3]



1 Center 2.32 GHz

IFBW 10 kHz

Span 400 MHz



Ch1	Tr1	S11	>1	2.3200000	GHz	-19.678	dB
Ch1	Tr1	S11	2	2.3534290	GHz	-10.353	dB
Ch1	Tr1	S11	3	2.2877470	GHz	-15.984	dB
Ch1	Tr1	S11	4	2.2200000	GHz	-1.2981	dB
Ch1	Tr1	S11	5	2.4200000	GHz	-0.9836	dB
Ch1	Tr2	S21	1	2.3200000	GHz	-4.4277	dB
Ch1	Tr2	S21	2	2.3534290	GHz	-7.3350	dB
Ch1	Tr2	S21	3	2.2877470	GHz	-7.2956	dB
Ch1	Tr2	S21	4	2.2200000	GHz	-42.773	dB
Ch1	Tr2	S21	5	2.4200000	GHz	-33.337	dB