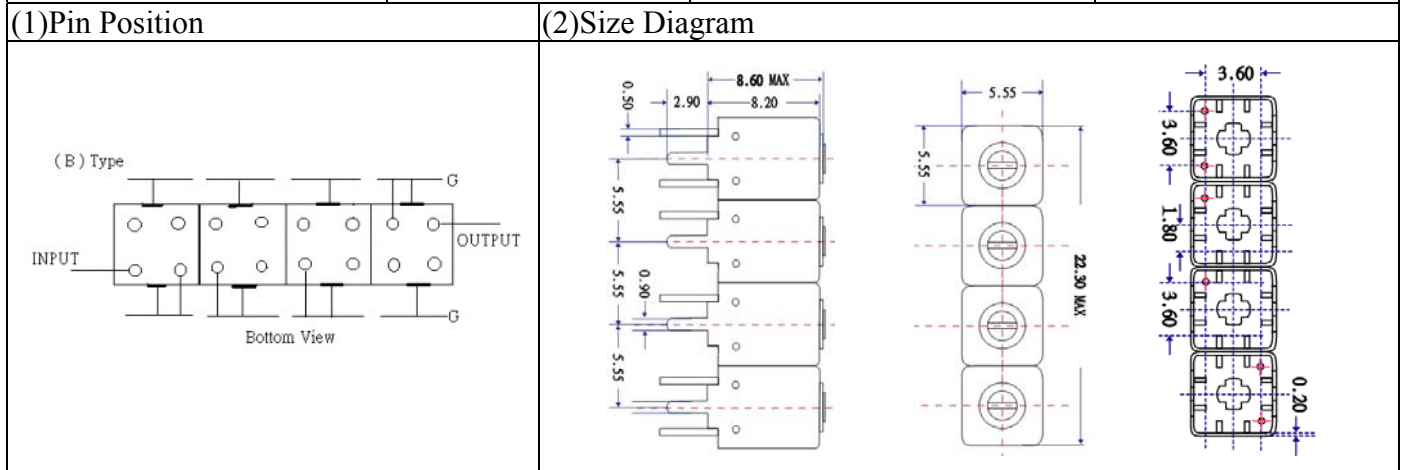


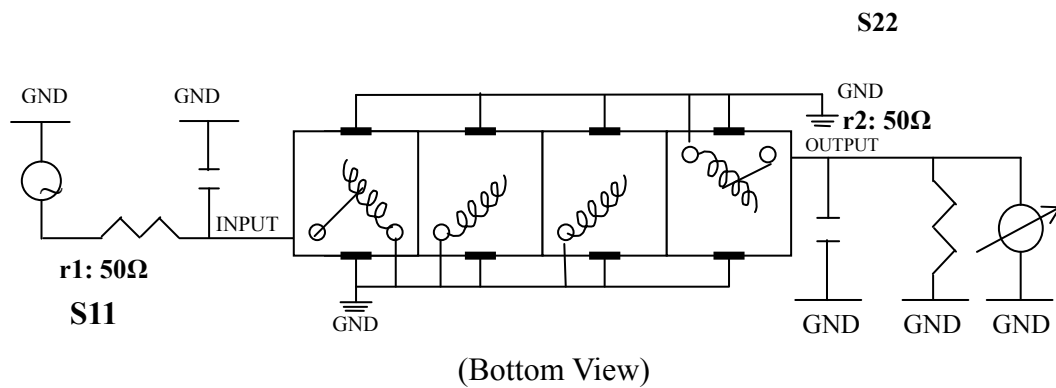
# VHF UHF Helical Filter Specification Sheet

Customer Name		Temwell's Part No.	TFW4691B-425M
Approval No. /dated	201801043CD	Temwell's Print name	4691B 425M
Work Instruction No.	201801043CD	Date	Feb.13.2018



(3) Electric Characteristic					
Item		Specify		Performance	
Center Freq.(Fo) +/- 0.5 %		425 MHz		425 MHz	
Insertion Loss		Typ. 3.0 dB		2.05 dB	
-3 dB Bandwidth		Typ. 28 MHz		31.3 MHz	
Sensitivity (Attenuation)	Fo - 50 MHz	Typ. 45 dBc		50 dBc	
	Fo + 50 MHz	Typ. 32 dBc		37 dBc	
	Fo - ( )MHz	Typ. dBc		dBc	
	Fo +( )MHz	Typ. dBc		dBc	
Return Loss		Min. 12 dB		25.0 dB	
Ripple		< 1 dB		dB	
Impedance		In / Out : 50 Ω		In / Out : 50 Ω	
(4) Torque for Tuning Screw		> 60gf · cm			
(5) Temperature Condition:					
Operating Temperature		0°C ~ +60°C			
Storage Temperature		-20°C ~ +70°C			
(6) Input Power		> 0.5Watt			

(7) Measuring Circuit: ※Easy to match Impedance S11/S22 50Ω by parallel with about(- -).



Approval	Supervisor	Designer	Aperture size
C.Y.Chang	C.K.Chang	W.W.Wang	5W4S(3.8*4.5)(4.53) 5HW024LB3.6

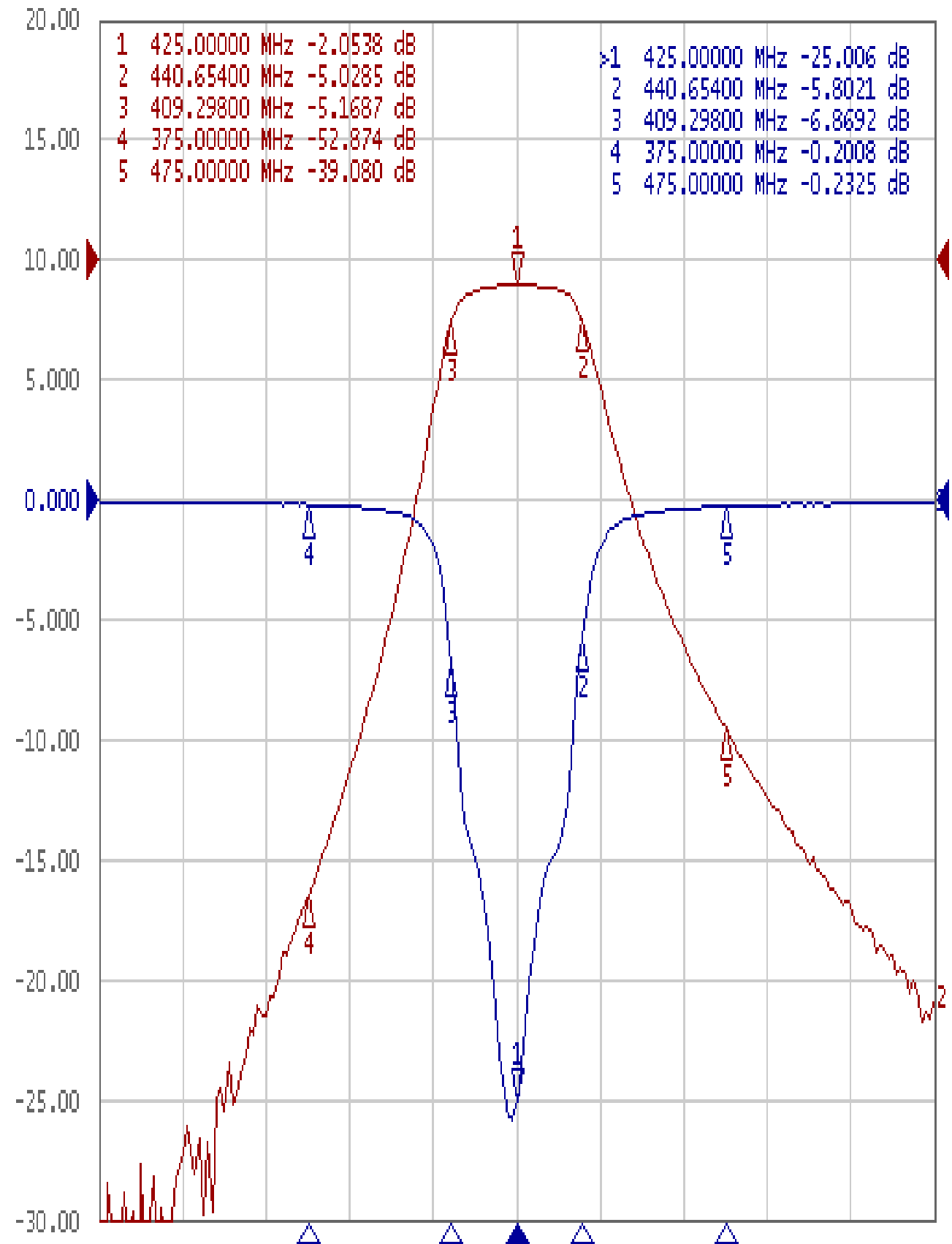
TEMWELL CORPORATION

# Performance-TFW4691B-425M

## 201801043CD

Tr1 S11 Log Mag 5.000dB/ Ref 0.000dB [F2]

Tr2 S21 Log Mag 10.00dB/ Ref 0.000dB [F2]



1 Center 425 MHz

IFBW 70 kHz

Span 200 MHz Cor !