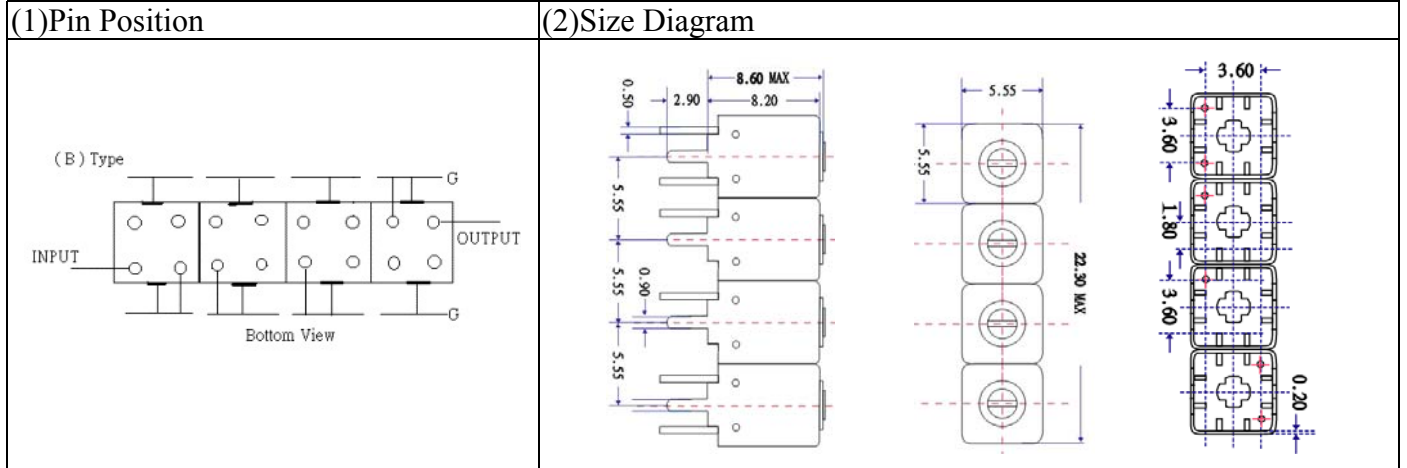


VHF UHF Helical Filter Specification Sheet

Customer Name		Temwell's Part No.	TFW4683B-525M
Approval No. /dated	201801057CD	Temwell's Print name	4683B 525M
Work Instruction No.	201801057CD	Date	Apr.03.2018



(3) Electric Characteristic

Item	Specify	Performance	
Center Freq.(Fo) +/- 0.5 %	525 MHz	525 MHz	
Insertion Loss	Typ. 4.0 dB	2.93 dB	
-3 dB Bandwidth	Typ. 25 MHz	28.5 MHz	
Sensitivity (Attenuation)	Fo - 50 MHz	Typ. 46 dBc	51 dBc
	Fo + 50 MHz	Typ. 34 dBc	39 dBc
	Fo - ()MHz	Typ. dBc	dBc
	Fo +()MHz	Typ. dBc	dBc
Return Loss	Min. 12 dB	20.1 dB	
Ripple	< 1 dB	dB	
Impedance	In / Out : 50 Ω	In / Out : 50 Ω	

(4) Torque for Tuning Screw > 60gf · cm

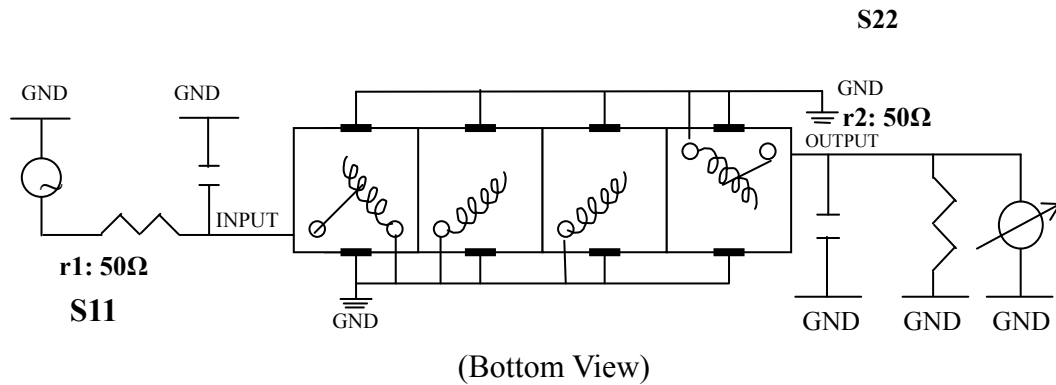
(5) Temperature Condition:

Operating Temperature 0°C ~ +60°C

Storage Temperature -20°C ~ +70°C

(6) Input Power > 0.5Watt

(7) Measuring Circuit: ※Easy to match Impedance S11/S22 50Ω by parallel with about(- -).



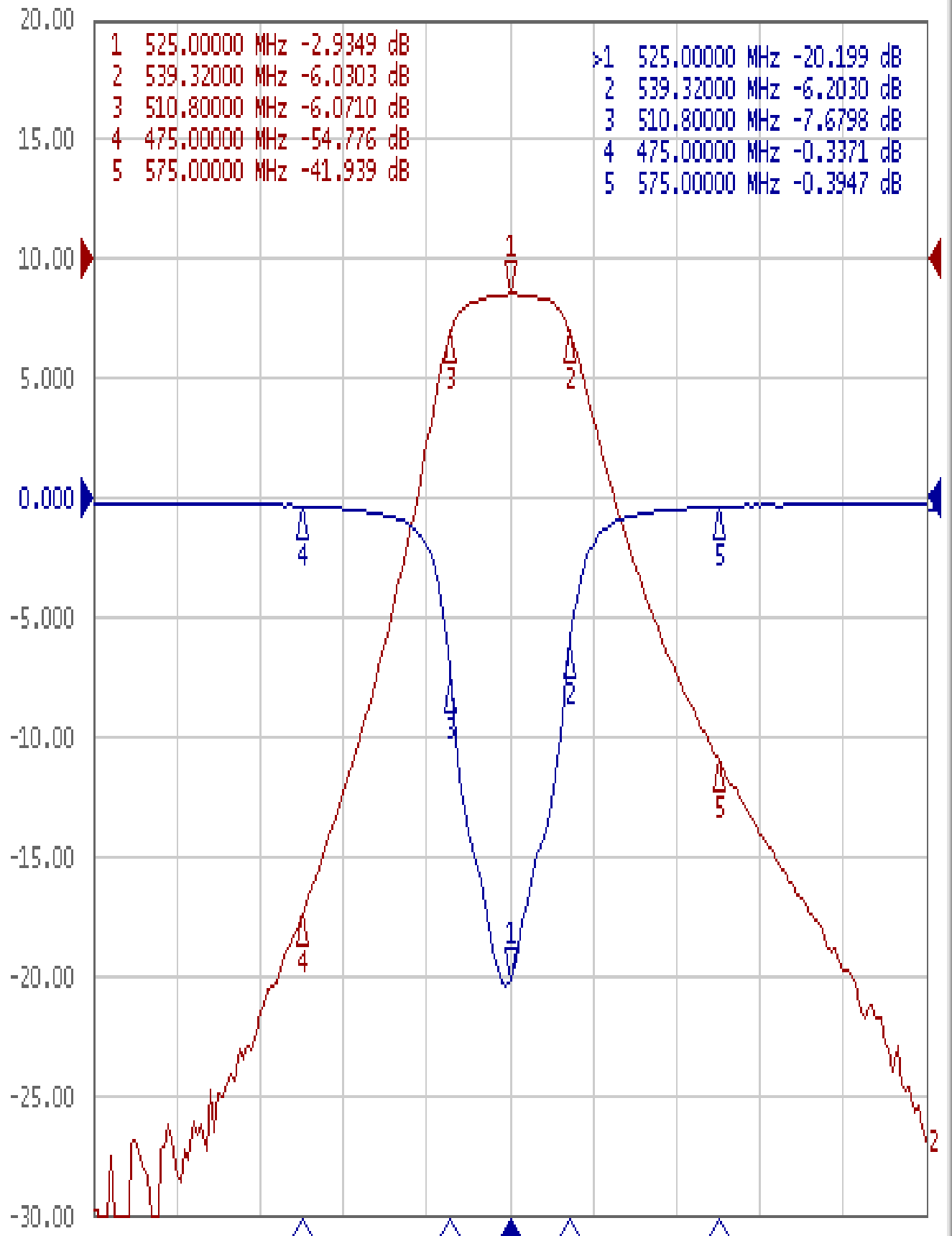
Approval	Supervisor	Designer	Aperture size
C.Y.Chang	C.K.Chang	W.W.Wang	5W4S(3.8*5.1)(5.12) 5HW024LB3.(J1)

TEMWELL CORPORATION

Performance-TFW4683B-525M

201801057CD

Tr1 S11 Log Mag 5.000dB/ Ref 0.000dB [F2]
Tr2 S21 Log Mag 10.000dB/ Ref 0.000dB [F2]



1 Center 525 MHz

IFBW 70 kHz

Span 200 MHz

Cor !