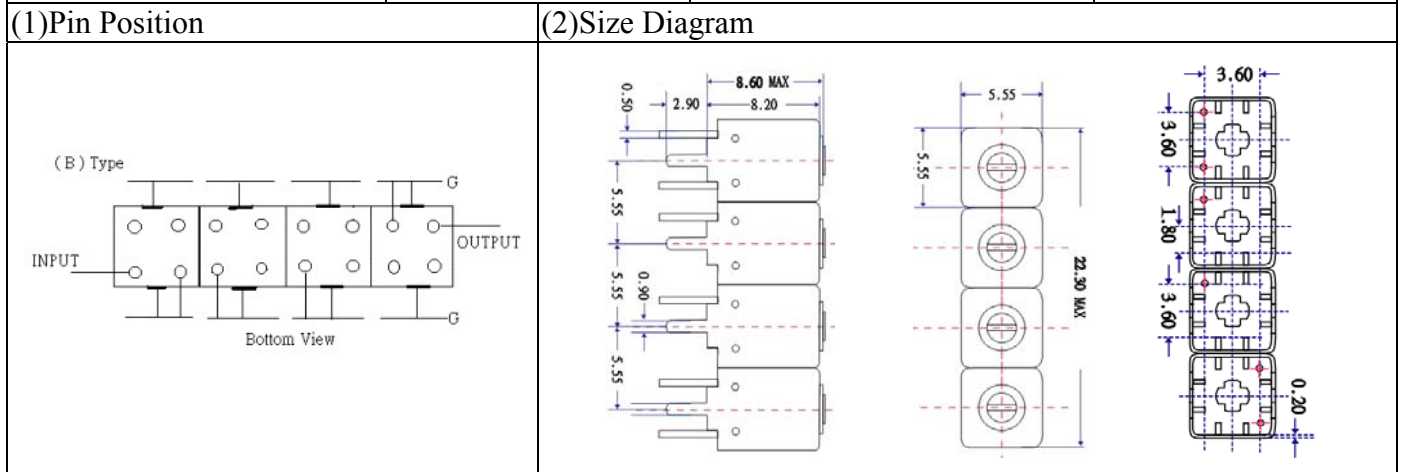


VHF UHF Helical Filter Specification Sheet

Customer Name		Temwell's Part No.	TFW4679B-325M
Approval No. /dated	201801034CD	Temwell's Print name	4679B 325M
Work Instruction No.	201801034CD	Date	Jan.26.2018



(3)Electric Charasteric

Item	Specify	Performance	
Center Freq.(Fo) +/- 0.5 %	325 MHz	325 MHz	
Insertion Loss	Typ. 3.5 dB	2.52 dB	
-3 dB Bandwidth	Typ. 22 MHz	25.0 MHz	
Sensitivity (Attenuation)	Fo - 50 MHz	Typ. 49 dBc	54 dBc
	Fo + 50 MHz	Typ. 38 dBc	43 dBc
	Fo - ()MHz	Typ. dBc	dBc
	Fo +()MHz	Typ. dBc	dBc
Return Loss	Min. 12 dB	29.4 dB	
Ripple	< 1 dB	dB	
Impedance	In / Out : 50 Ω	In / Out : 50 Ω	
(4)Torque for Tuning Screw	> 60gf · cm		

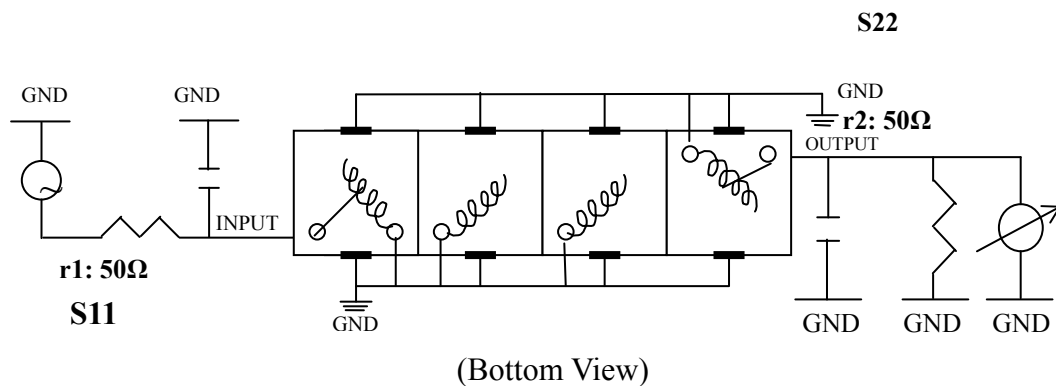
(5)Temperature Condition:

Operating Temperature	0°C ~ +60°C
Storage Temperature	-20°C ~ +70°C

(6)Input Power

> 0.5Watt

(7)Measuring Circuit: ※Easy to match Impedance S11/S22 50Ω by parallel with about(- -).



Approval	Supervisor	Designer	Aperture size
C.Y.Chang	C.K.Chang	C.H.Yeh	5W4S(3.8*3.5)(3.52) 5HW020LB4.5

TEMWELL CORPORATION

