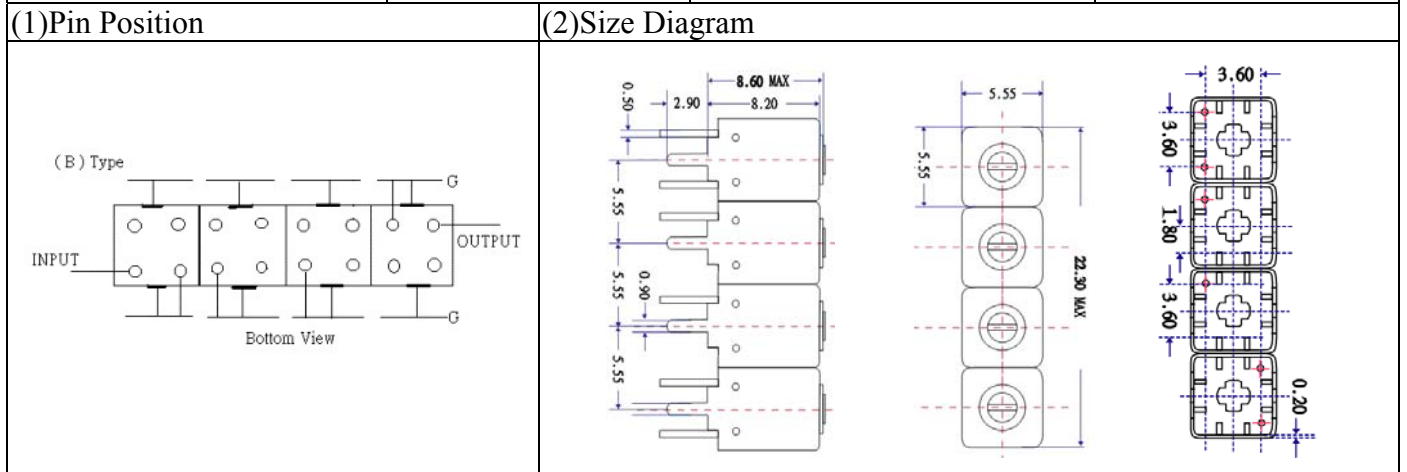


VHF UHF Helical Filter Specification Sheet

Customer Name		Temwell's Part No.	TFW4672B-775M
Approval No. /dated	201803048CD	Temwell's Print name	4672B 775M
Work Instruction No.	201803048CD	Date	Mar.29.2018



(3) Electric Characteristic

Item	Specify	Performance	
Center Freq.(Fo) +/- 0.5 %	775 MHz	775 MHz	
Insertion Loss	Typ. 4.5 dB	3.47 dB	
-3 dB Bandwidth	Typ. 20 MHz	29.5 MHz	
Sensitivity (Attenuation)	Fo - 50 MHz	Typ. 47 dBc	52 dBc
	Fo + 50 MHz	Typ. 31 dBc	36 dBc
	Fo - ()MHz	Typ. dBc	dBc
	Fo +()MHz	Typ. dBc	dBc
Return Loss	Min. 12 dB	21.2 dB	
Ripple	< 1 dB	dB	
Impedance	In / Out : 50 Ω	In / Out : 50 Ω	

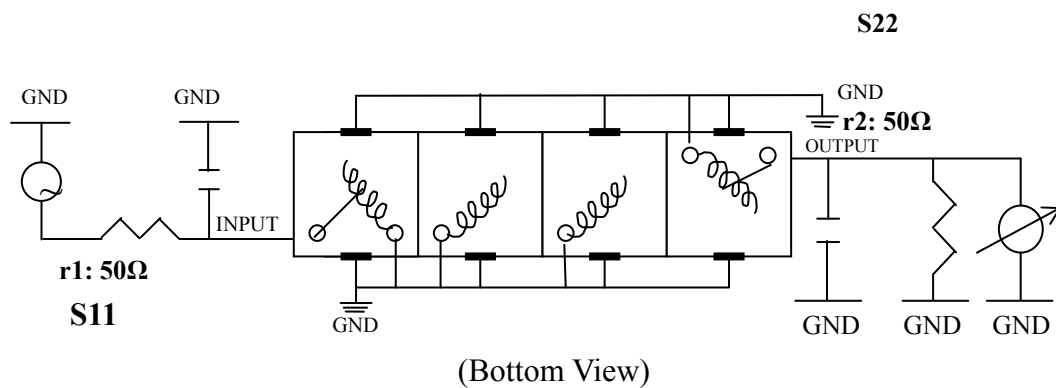
(4) Torque for Tuning Screw > 60gf · cm

(5) Temperature Condition:

Operating Temperature	0°C ~ +60°C
Storage Temperature	-20°C ~ +70°C

(6) Input Power > 0.5Watt

(7) Measuring Circuit: ※Easy to match Impedance S11/S22 50Ω by parallel with about(- -).

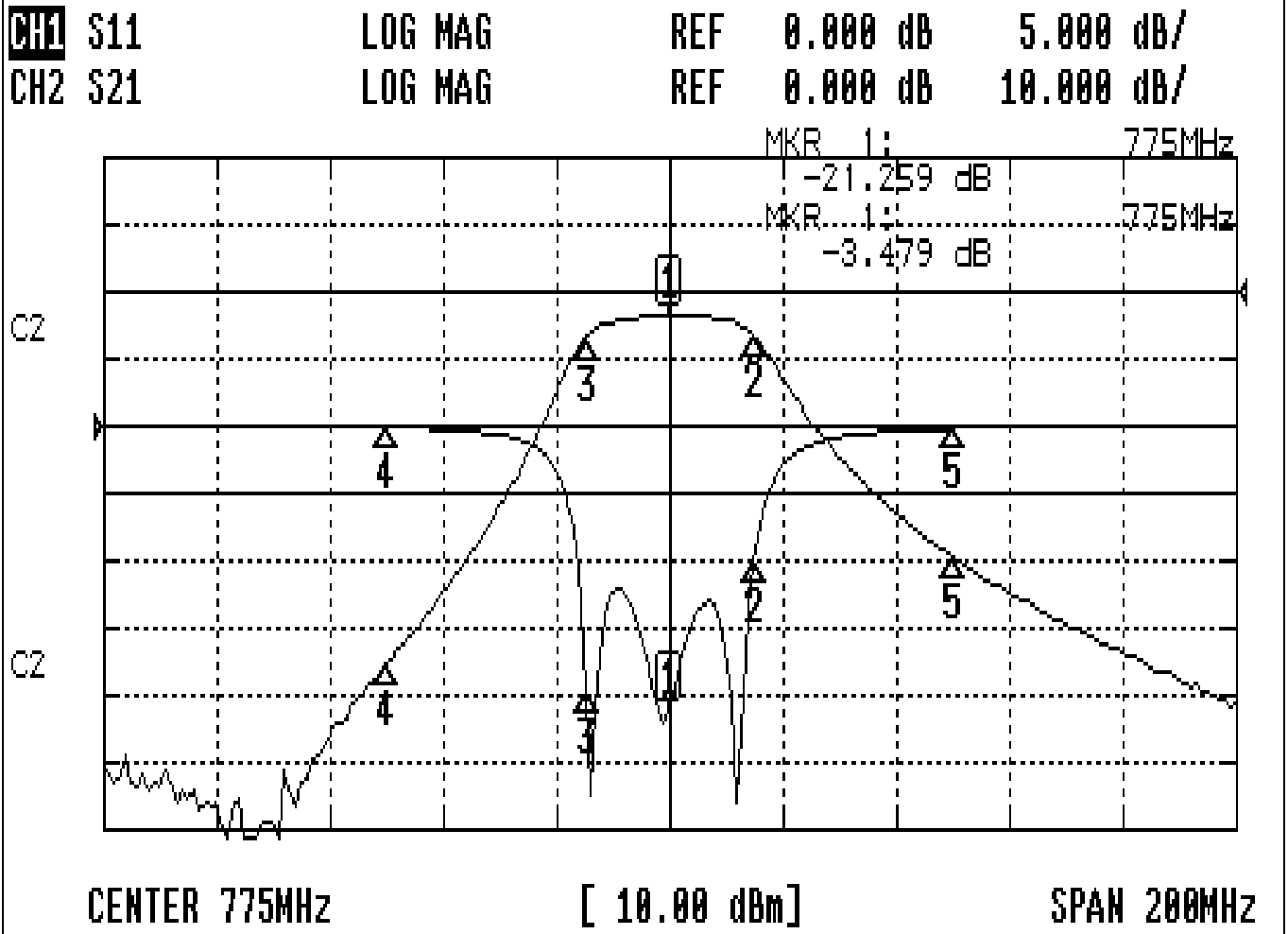


Approval	Supervisor	Designer	Aperture size
C.Y.Chang	C.K.Chang	M.Y.Kang	5W4S(3.8*4.5)(4.55) 5HW024RB3

TEMWELL CORPORATION

Performance-TFW4672B-775M

201803048CD



CH1 MARKER LIST

1:	775.000MHz	-21.259 dB
2:	789.950MHz	-10.102 dB
3:	760.400MHz	-20.648 dB
4:	725.000MHz	-0.064 dB
5:	825.000MHz	-0.134 dB

CH2 MARKER LIST

1:	775.000MHz	-3.479 dB
2:	789.950MHz	-16.454 dB
3:	760.400MHz	-16.460 dB
4:	725.000MHz	-35.413 dB
5:	825.000MHz	-39.496 dB