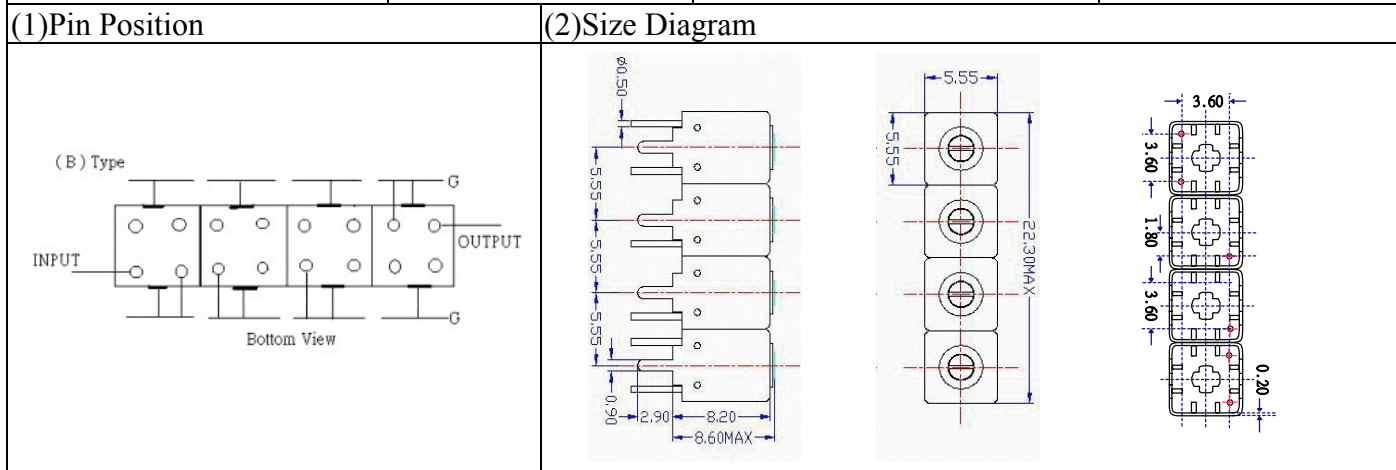


VHF UHF Helical Filter Specification Sheet

Customer Name		Temwell's Part No.	TFW4662B-902M
Approval No. /dated		Temwell,s print Name	4662B 902M
Work Instruction No.	201301044CD	Date	Jan.11.2013



(3)Electric Charasteric

Item	Specify	Performance
Center Freq.(Fo) +/- 0.5 %	902 MHz	902 MHz
Insertion Loss	Typ. 5.0 dB	4.56 dB
-3 dB Bandwidth	Typ. 15 MHz	24.2 MHz
Sensitivity (Attenuation)	Fo - 50 MHz	Typ. 50 dB
	Fo + 50 MHz	Typ. 38 dB
	Fo - ()MHz	Typ. dBc
	Fo +()MHz	Typ. dBc
Return Loss	Min. 12 dB	23.5 dB
Ripple	< 1 dB	dB
Impedance	In / Out : 50 Ω	In / Out : 50 Ω

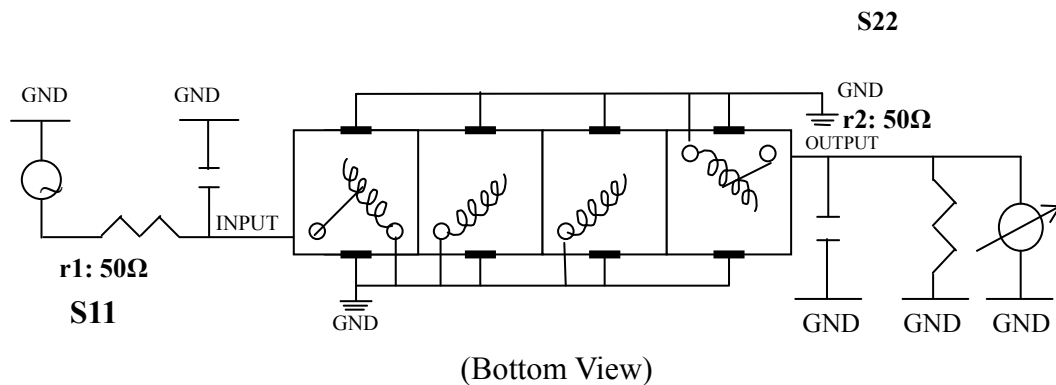
(4)Torque for Tuning Screw > 60gf • cm

(5)Temperature Condition:

Operating Temperature	0°C ~ +60°C
Storage Temperature	-20°C ~ +70°C

(6)Input Power > 0.5Watt

(7)Measuring Circuit: ※Easy to match Impedance S11/S22 50Ω by parallel with about(--) / (--).



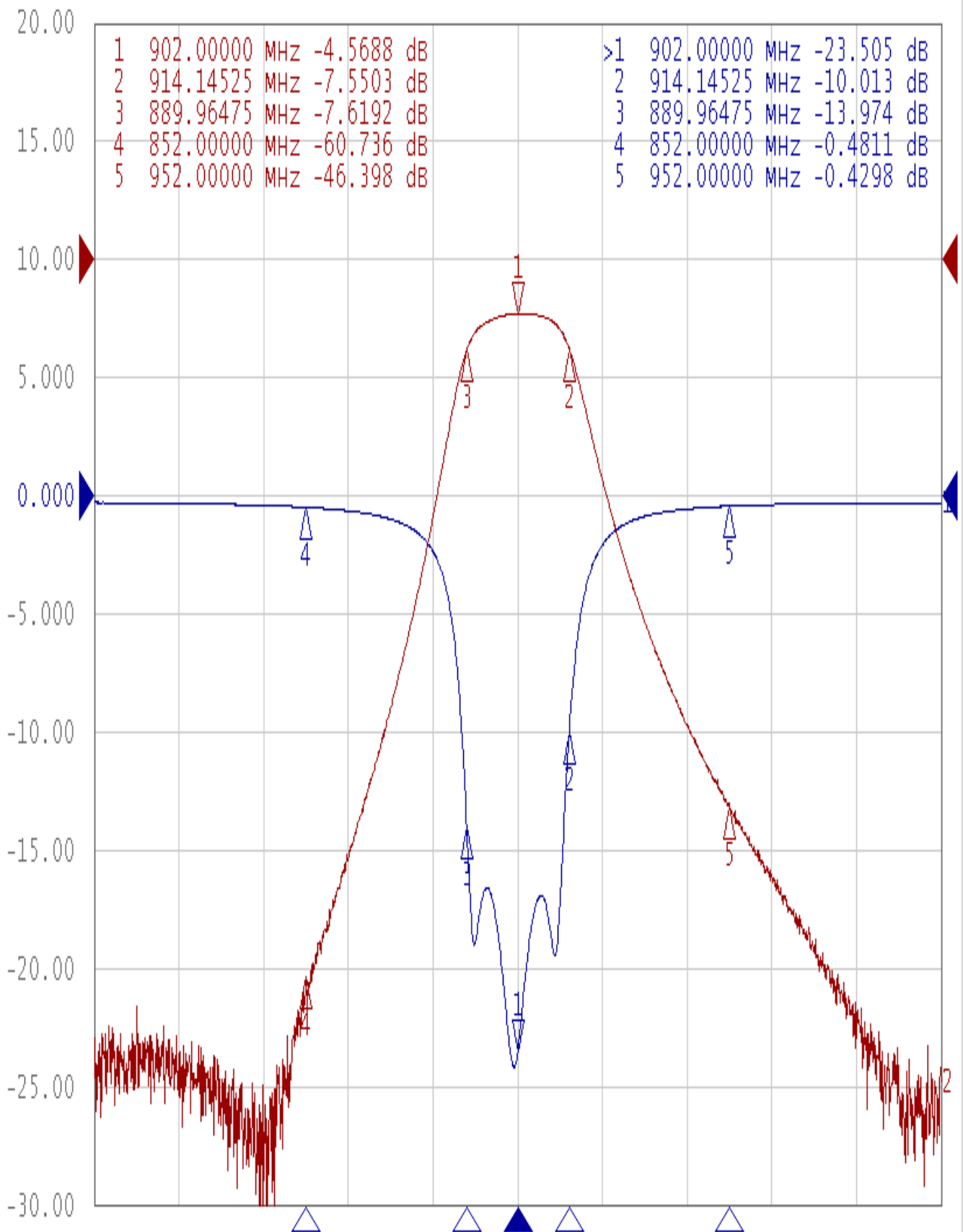
Approval C.Y.Chang	Supervisor C.K.Chang	Designer C.S.Chang	Aperture size 5W4S(3.8*3.5)(3.58) 5HW024RB3
-----------------------	-------------------------	-----------------------	---------------------------------------------------

TEMWELL CORPORATION

Performance-TFW4662B-902M

201301044CD

Tr1 S11 Log Mag 5.000dB/ Ref 0.000dB [F2]
Tr2 S21 Log Mag 10.00dB/ Ref 0.000dB [F2]



1 Center 902 MHz

IFBW 10 kHz

Span 200 MHz Cor !