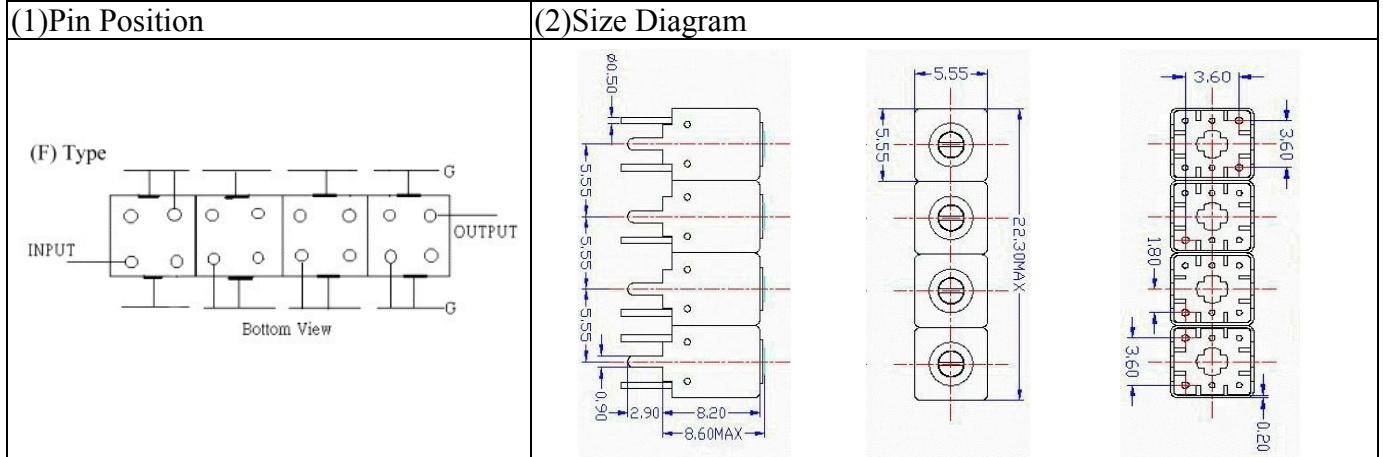


VHF UHF Helical Filter Specification Sheet

Customer Name		Temwell's Part No.	TFW4647F-1950M
Approval No. /dated	0712106APR	Temwell,s print Name	1901~1950M
Work Instruction No.	0712106CD	Date	Mar.17.2008



(3) Electric Charasteric

Item	Specify	Performance
Center Freq.(Fo) +/- 0.5 %	1950 MHz	1950 MHz
Insertion Loss	Typ. 4.0 dB	2.85 dB
-3 dB Bandwidth	Typ. 84 MHz	94 MHz
Sensitivity (Attenuation)	Fo - 100 MHz	Typ. 20 dBc
	Fo + 100 MHz	Typ. 23 dBc
	Fo - ()MHz	Typ. dBc
	Fo +()MHz	Typ. dBc
Return Loss	Min. 12 dB	12.2 dB
Ripple	< 1 dB	dB
Impedance	In / Out : 50 Ω	In / Out : 50 Ω

(4) Torque for Tuning Screw > 60gf · cm

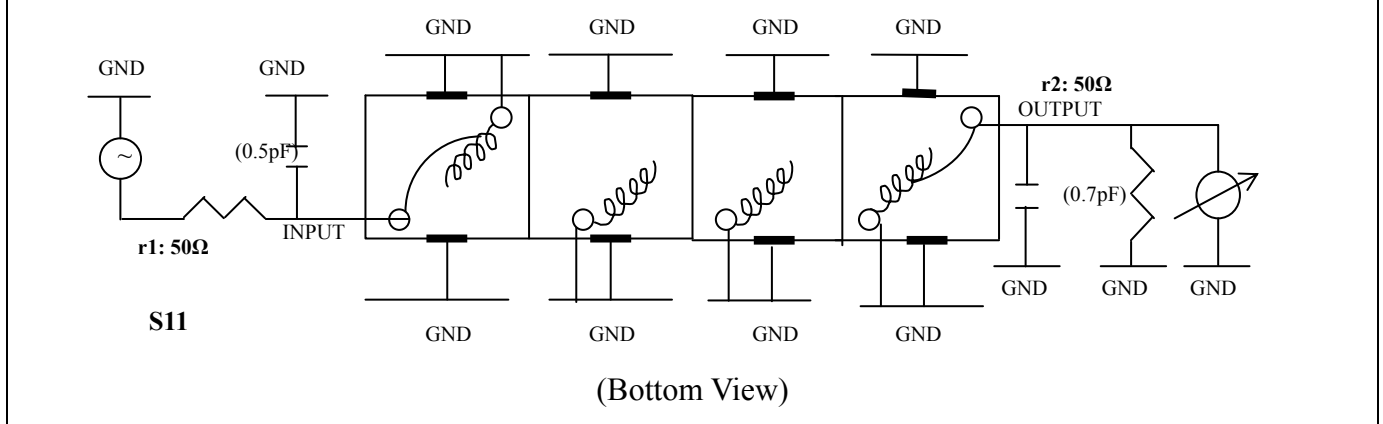
(5) Temperature Condition:

Operating Temperature	0°C ~ +60°C
-----------------------	-------------

Storage Temperature	-20°C ~ +70°C
---------------------	---------------

(6) Input Power > 0.5Watt

(7) Measuring Circuit: ※Easy to match Impedance S11/S22 50Ω/50Ω by parallel with about(0.5pF) / (0.7pF).



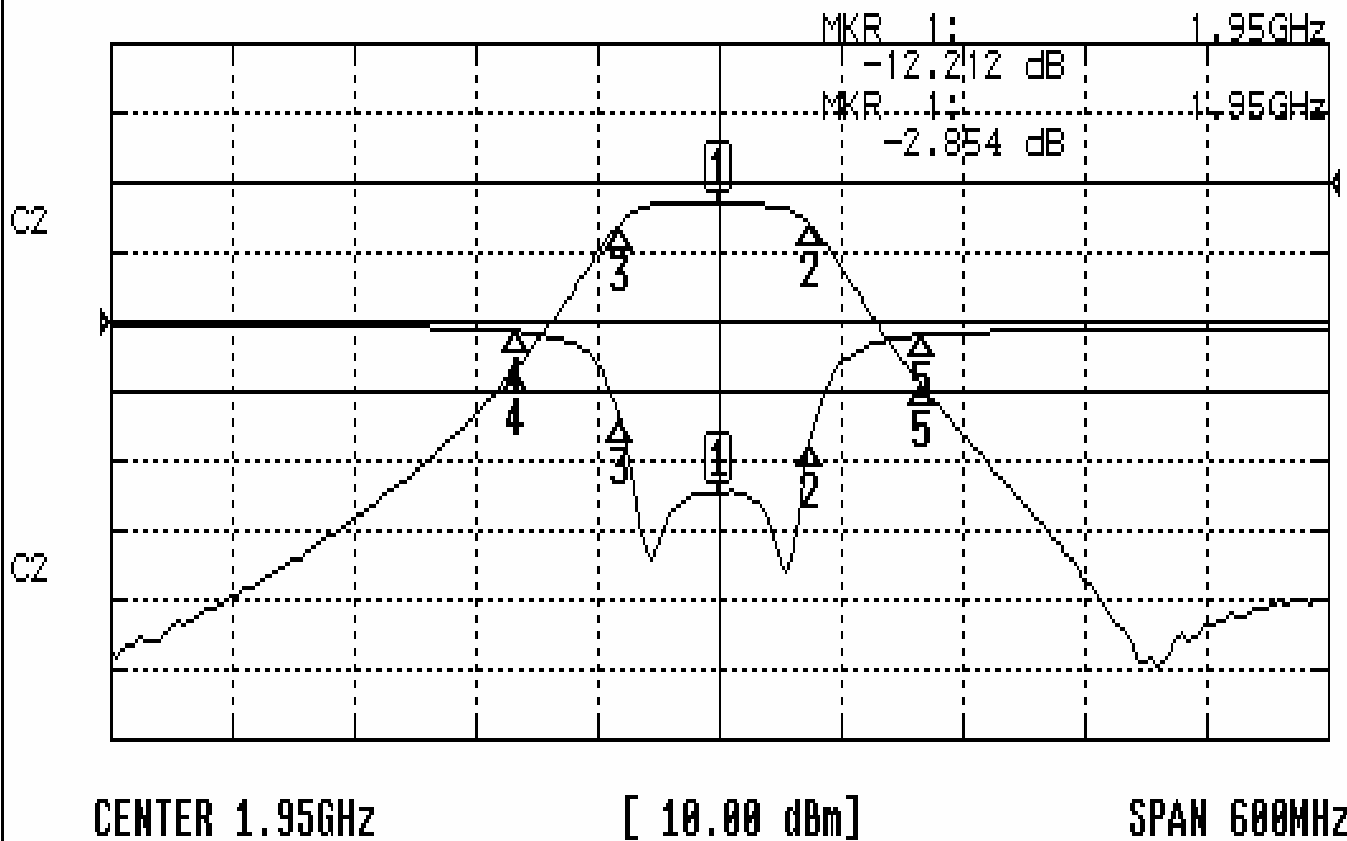
Approval C.Y.Chang	Supervisor C.S.Chang	Designer Y.H.Chuan	Aperture size 5W4(3.8*4.0F)*(3.2B) 5HW046RB3.2
-----------------------	-------------------------	-----------------------	--

TEMWELL CORPORATION

Performance-TFW4647F-1950M

0712106CD

CH1 S11 LOG MAG REF 0.000 dB 5.000 dB/
CH2 S21 LOG MAG REF 0.000 dB 10.000 dB/



CH1 MARKER LIST

1:	1.950	000GHz	-12.212	dB
2:	1.995	000GHz	-8.845	dB
3:	1.901	500GHz	-7.031	dB
4:	1.850	000GHz	-0.715	dB
5:	2.050	000GHz	-0.972	dB

CH2 MARKER LIST

1:	1.950	000GHz	-2.854	dB
2:	1.995	000GHz	-5.888	dB
3:	1.901	500GHz	-5.840	dB
4:	1.850	000GHz	-26.753	dB
5:	2.050	000GHz	-29.059	dB