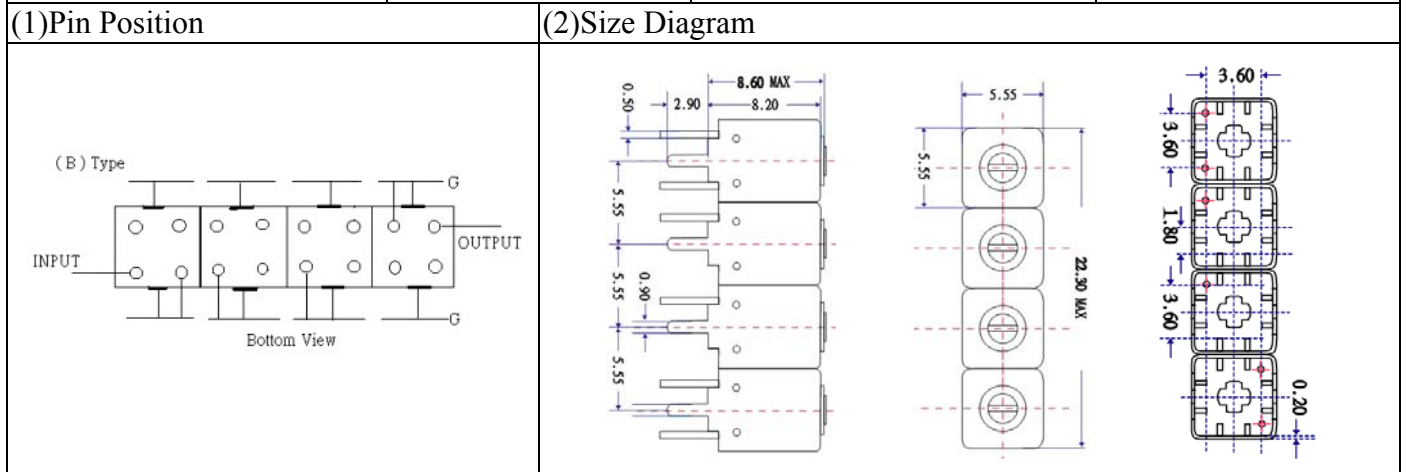


VHF UHF Helical Filter Specification Sheet

Customer Name		Temwell's Part No.	TFW4644B-825M
Approval No. /dated	201803052CD	Temwell's Print name	4644B 825M
Work Instruction No.	201803052CD	Date	Mar.29.2018



(3) Electric Characteristic

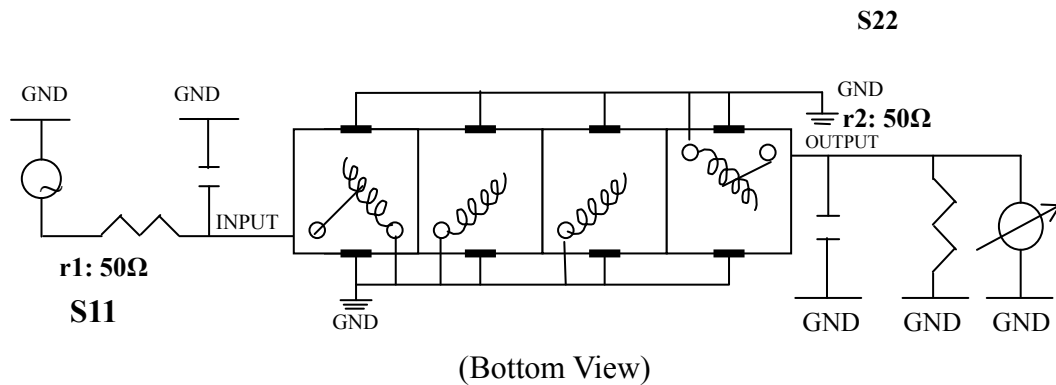
Item		Specify	Performance
Center Freq.(Fo) +/- 0.5 %		825 MHz	825 MHz
Insertion Loss		Typ. 9.0 dB	8.04 dB
-3 dB Bandwidth		Typ. 5 MHz	12.3 MHz
Sensitivity (Attenuation)	Fo - 50 MHz	Typ. 52 dBc	62 dBc
	Fo + 50 MHz	Typ. 52 dBc	62 dBc
	Fo - ()MHz	Typ. dBc	dBc
	Fo +()MHz	Typ. dBc	dBc
Return Loss		Min. 12 dB	29.9 dB
Ripple		< 1 dB	dB
Impedance		In / Out : 50 Ω	In / Out : 50 Ω
(4) Torque for Tuning Screw		> 60gf · cm	

(5) Temperature Condition:

Operating Temperature	0°C ~ +60°C
Storage Temperature	-20°C ~ +70°C

(6) Input Power

(7) Measuring Circuit: ※Easy to match Impedance S11/S22 50Ω by parallel with about(- -).



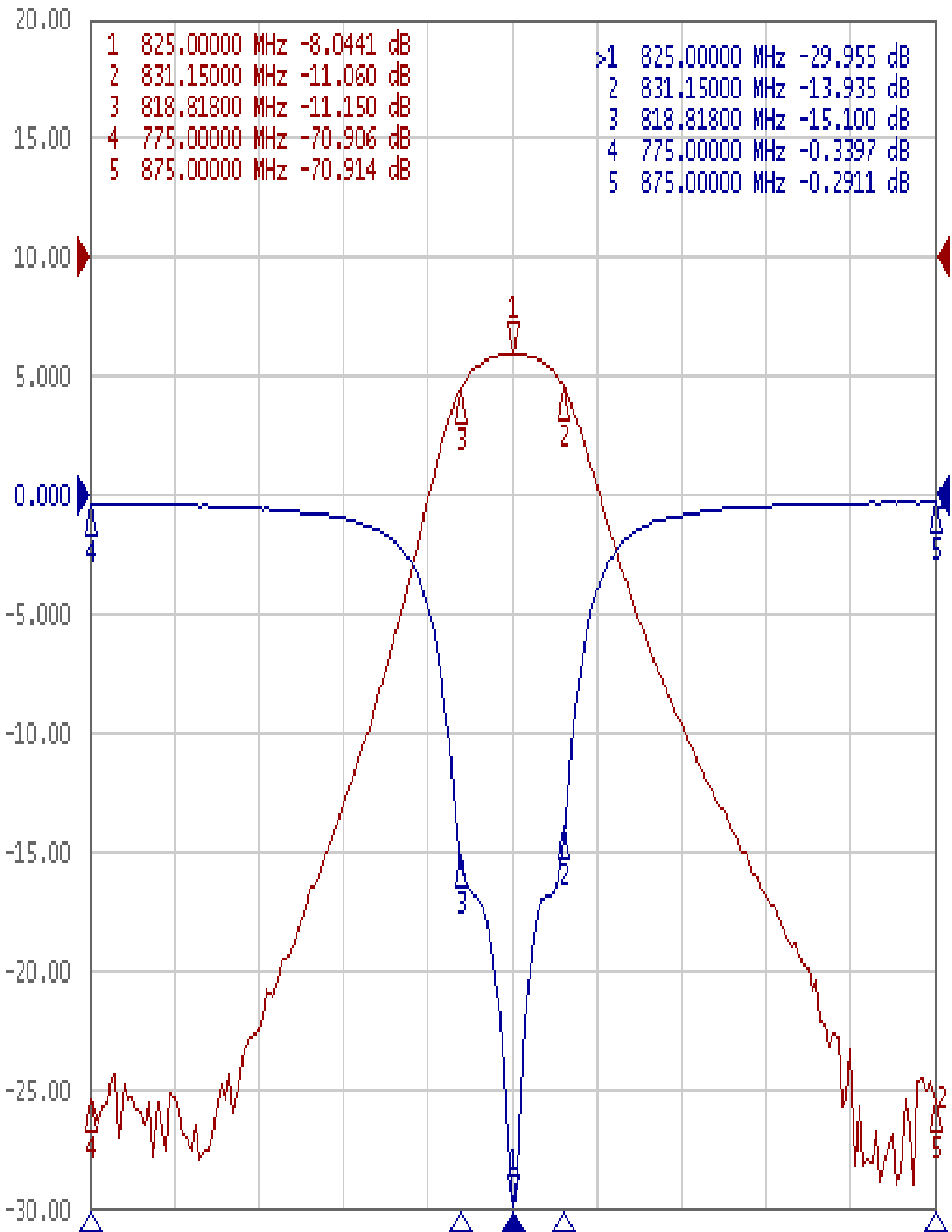
Approval	Supervisor	Designer	Aperture size
C.Y.Chang	C.K.Chang	W.W.Wang	5W4S(3.8*3.5)(3.53) 5HW024RB3

TEMWELL CORPORATION

Performance-TFW4644B-825M

201803052CD

Tr1 S11 Log Mag 5.000dB/ Ref 0.000dB [F2]
Tr2 S21 Log Mag 10.00dB/ Ref 0.000dB [F2]



1 Center 825 MHz

IFBW 70 kHz

Span 100 MHz Cor