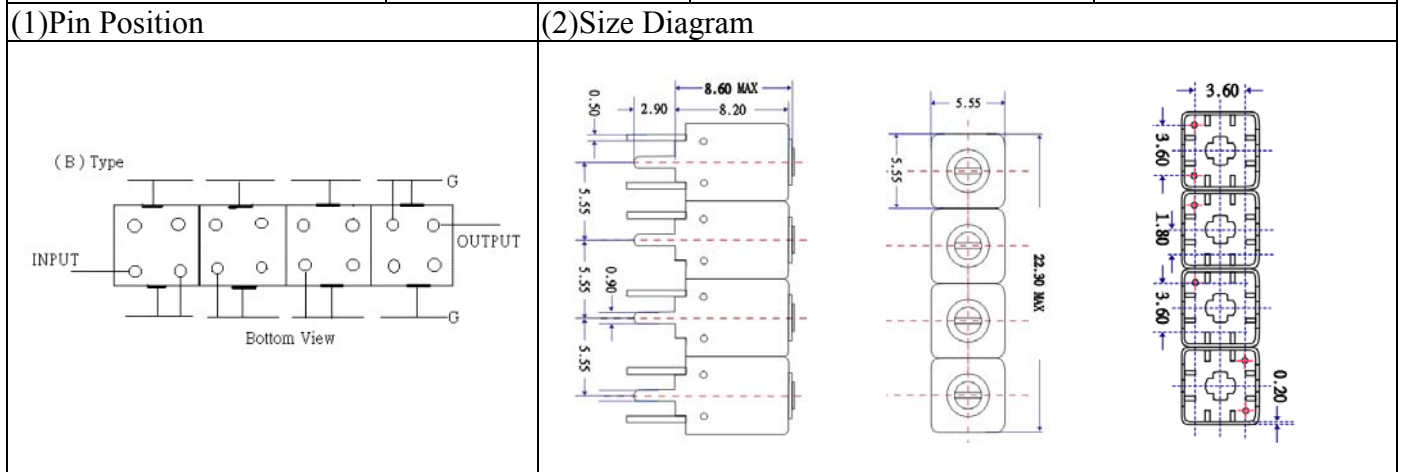


# VHF UHF Helical Filter Specification Sheet

Customer Name		Temwell's Part No.	TFW4640B-375M
Approval No. /dated	201801036CD	Temwell's Print name	4640B 375M
Work Instruction No.	201801036CD	Date	Jan.31.2018



### (3)Electric Charasteric

Item	Specify	Performance	
Center Freq.(Fo ) +/- 0.5 %	375 MHz	375 MHz	
Insertion Loss	Typ. 6.0 dB	4.76 dB	
-3 dB Bandwidth	Typ. 9 MHz	12.9 MHz	
Sensitivity (Attenuation)	Fo - 50 MHz	Typ. 63 dBc	68 dBc
	Fo + 50 MH	Typ. 63 dBc	68 dBc
	Fo - ( )MHz	Typ. dBc	dBc
	Fo +( )MHz	Typ. dBc	dBc
Return Loss	Min. 12 dB	21.1 dB	
Ripple	< 1 dB	dB	
Impedance	In / Out : 50 Ω	In / Out : 50 Ω	
(4)Torque for Tuning Screw	> 60gf • cm		

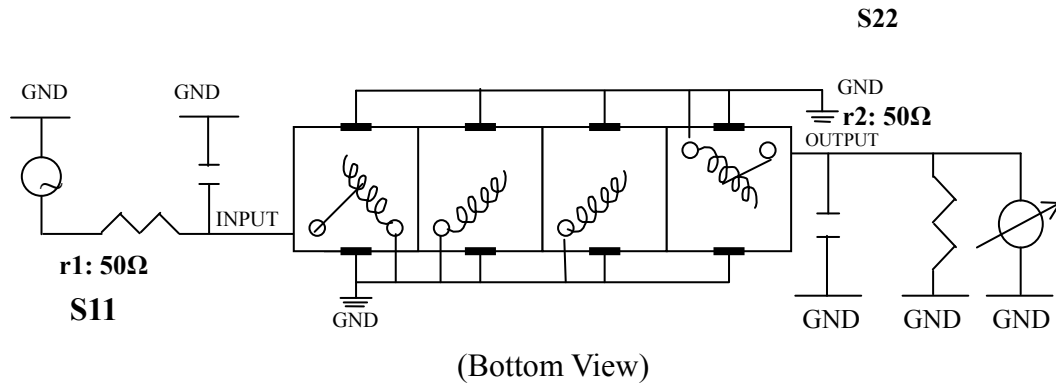
### (5)Temperature Condition:

Operating Temperature	0°C ~ +60°C
Storage Temperature	-20°C ~ +70°C

### (6)Input Power

> 0.5Watt

### (7)Measuring Circuit: ※Easy to match Impedance S11/S22 50Ω by parallel with about(- -).



Approval	Supervisor	Designer	Aperture size
C.Y.Chang	C.K.Chang	C.S.Chang	5W4S(3.8*3.5)(3.52) 5HW020RB3.5(J1)

TEMWELL CORPORATION

# Performance-TFW4640B-375M

## 201801036CD

