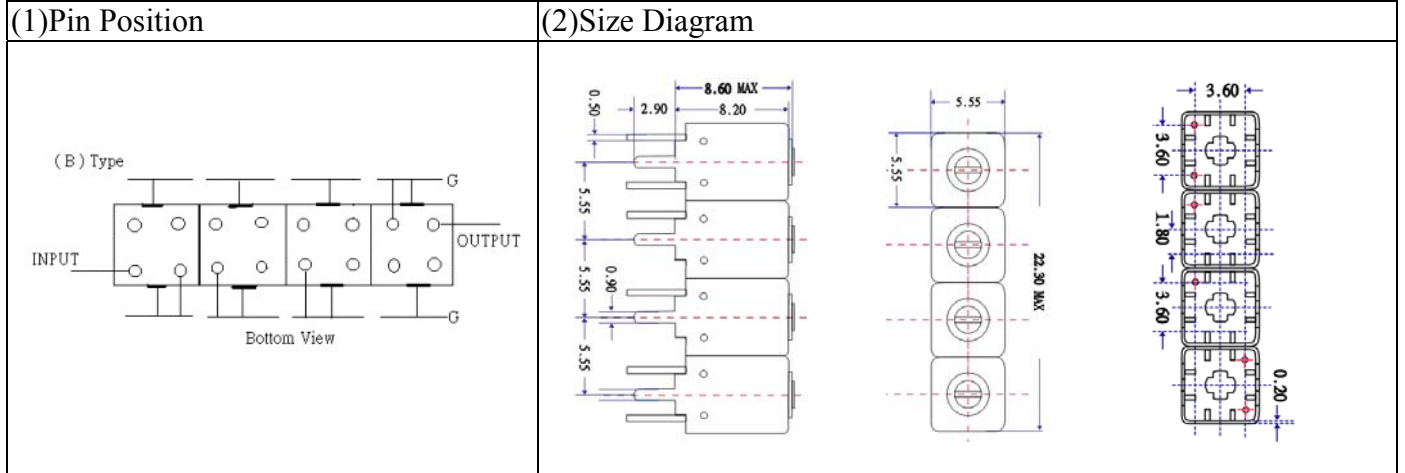


# VHF UHF Helical Filter Specification Sheet

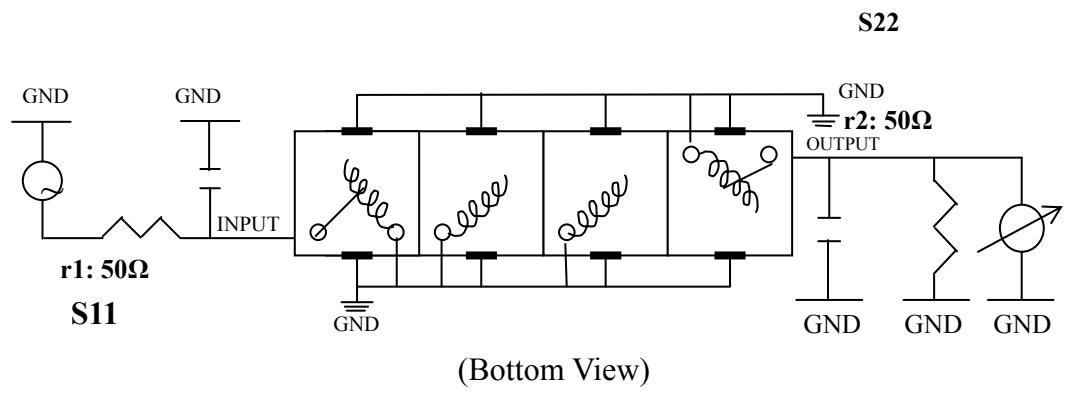
Customer Name		Temwell's Part No.	TFW4638B-275M
Approval No. /dated	201801030CD	Temwell's Print name	4638B 275M
Work Instruction No.	201801030CD	Date	Jan.18.2018



(3)Electric Charasteric

Item		Specify		Performance	
Center Freq.(Fo ) +/- 0.5 %		275 MHz		275 MHz	
Insertion Loss		Typ.	6.5 dB	5.44 dB	
-3 dB Bandwidth		Typ.	5 MHz	11.5 MHz	
Sensitivity (Attenuation)	Fo - 50 MHz	Typ.	66 dBc	76 dBc	
	Fo + 50 MH	Typ.	62 dBc	72 dBc	
	Fo - ( )MHz	Typ.	dBc	dBc	
	Fo +( )MHz	Typ.	dBc	dBc	
Return Loss		Min.	12 dB	25.7 dB	
Ripple		< 1 dB		dB	
Impedance		In / Out : 50 Ω		In / Out : 50 Ω	
(4)Torque for Tuning Screw		> 60gf • cm			
(5)Temperature Condition:					
Operating Temperature		0°C ~ +60°C			
Storage Temperature		-20°C ~ +70°C			
(6)Input Power		> 0.5Watt			

(7)Measuring Circuit: ※Easy to match Impedance S11/S22 50Ω by parallel with about(- -).

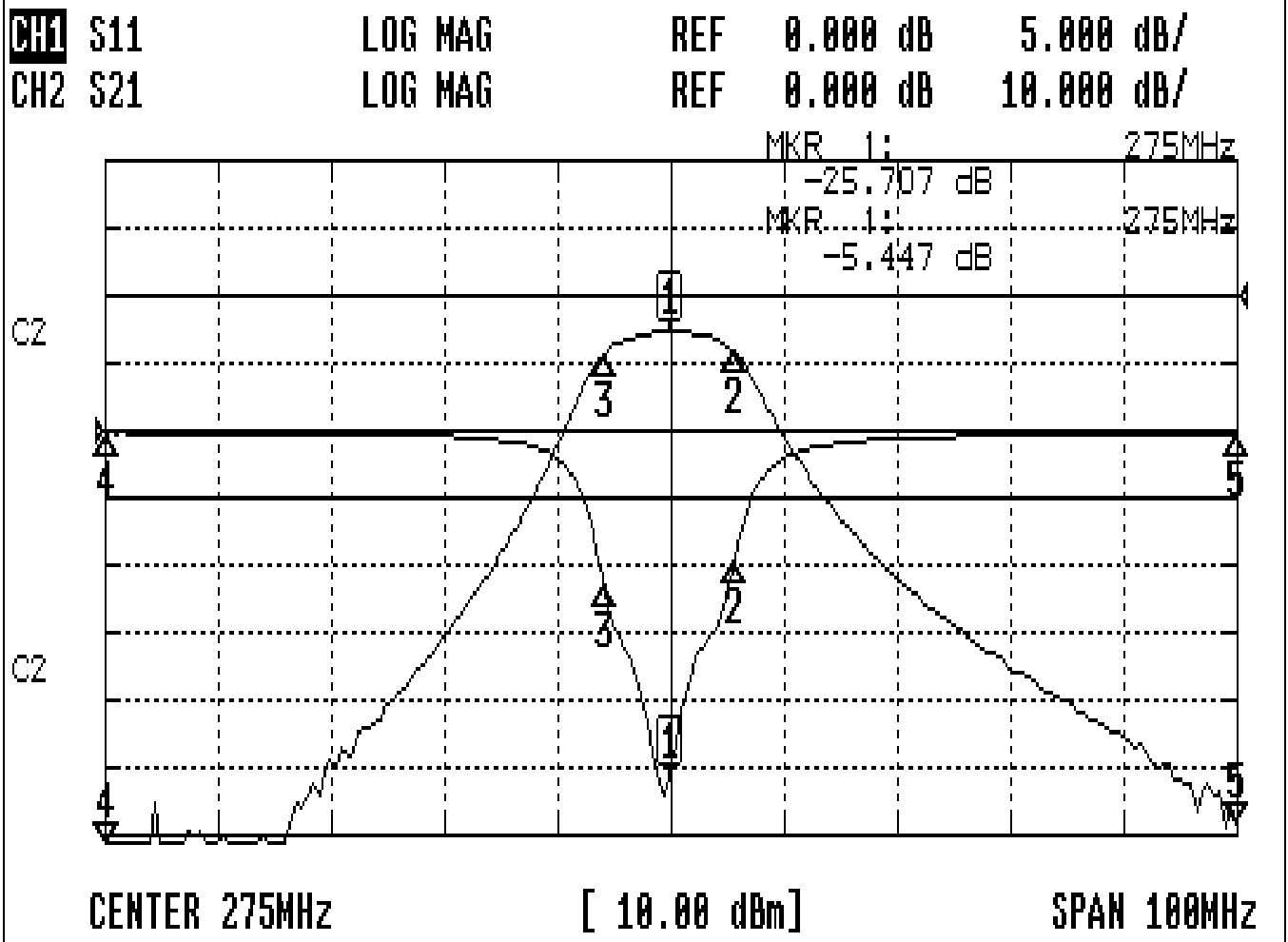


Approval	Supervisor	Designer	Aperture size
C.Y.Chang	C.K.Chang	W.W.Wang	5W4S(3.8*4.0)(4.05) 5HW00LB3

TEMWELL CORPORATION

# Performance-TFW4638B-275M

## 201801030CD



### CH1 MARKER LIST

1:	275.000MHz	-25.707 dB
2:	280.666MHz	-9.712 dB
3:	269.166MHz	-11.487 dB
4:	225.000MHz	-0.148 dB
5:	325.000MHz	-0.253 dB

### CH2 MARKER LIST

1:	275.000MHz	-5.447 dB
2:	280.666MHz	-00.460 dB
3:	269.166MHz	-00.578 dB
4:	225.000MHz	-01.060 dB
5:	325.000MHz	-78.306 dB