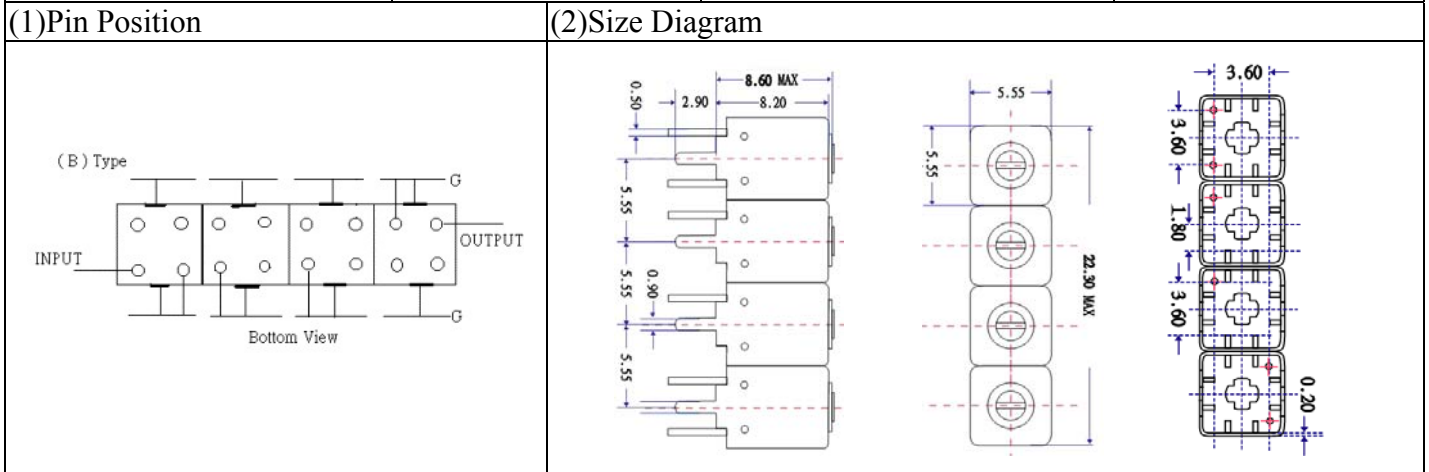


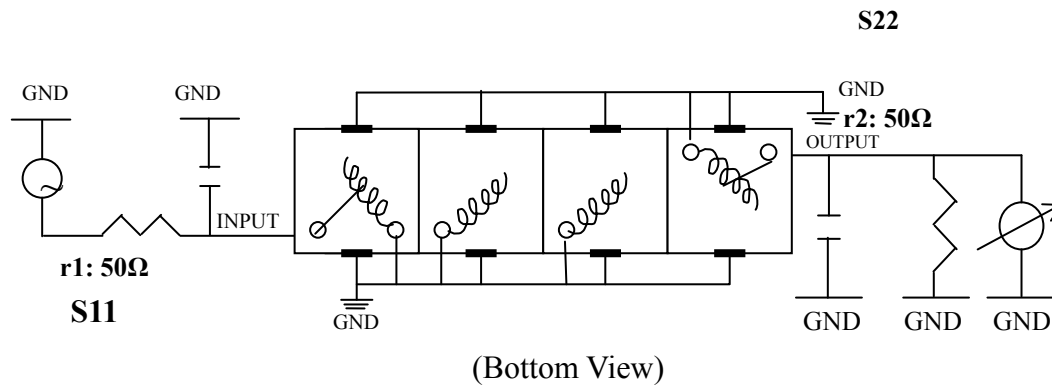
VHF UHF Helical Filter Specification Sheet

Customer Name		Temwell's Part No.	TFW4630B-435M
Approval No. /dated	201803031CD	Temwell's Print name	4630B 435M
Work Instruction No.	201803031CD	Date	Mar.19.2018



(3) Electric Characteristic					
Item		Specify		Performance	
Center Freq.(Fo) +/- 0.5 %		435 MHz		435 MHz	
Insertion Loss		Typ. 3.5 dB		2.30 dB	
-3 dB Bandwidth		Typ. 26 MHz		29.8 MHz	
Sensitivity (Attenuation)	Fo - 150 MHz	Typ. 65 dBc		75 dBc	
	Fo + 150 MHz	Typ. 66 dBc		76 dBc	
	Fo - ()MHz	Typ. dBc		dBc	
	Fo + ()MHz	Typ. dBc		dBc	
Return Loss		Min. 12 dB		21.6 dB	
Ripple		< 1 dB		dB	
Impedance		In / Out : 50 Ω		In / Out : 50 Ω	
(4) Torque for Tuning Screw		> 60gf · cm			
(5) Temperature Condition:					
Operating Temperature		0°C ~ +60°C			
Storage Temperature		-20°C ~ +70°C			
(6) Input Power		> 0.5Watt			

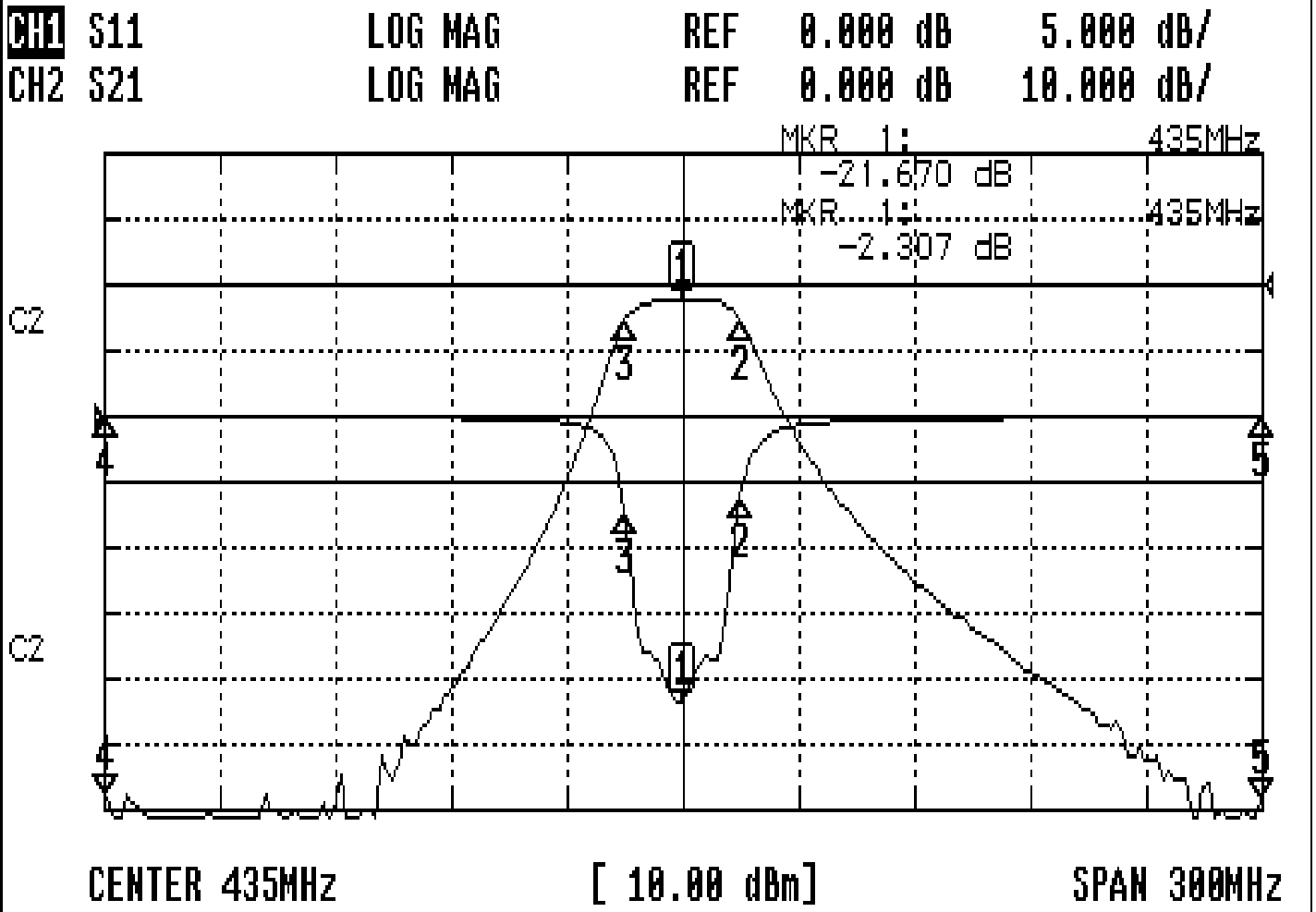
(7) Measuring Circuit: ※Easy to match Impedance S11/S22 50Ω by parallel with about(- -).



Approval	Supervisor	Designer	Aperture size
C.Y.Chang	C.K.Chang	C.H.Yeh	5W4S(3.8*4.5)(4.55) 5HW024LB3.6
TEMWELL CORPORATION			

Performance-TFW4630B-435M

201803031CD



CH1 MARKER LIST

1:	435.000MHz	-21.651 dB
2:	449.895MHz	-6.384 dB
3:	420.050MHz	-7.507 dB
4:	285.000MHz	-0.087 dB
5:	585.000MHz	-0.068 dB
10:		

CH2 MARKER LIST

1:	435.000MHz	-2.307 dB
2:	449.895MHz	-5.345 dB
3:	420.050MHz	-5.378 dB
4:	285.000MHz	-77.808 dB
5:	585.000MHz	-78.447 dB
10:		