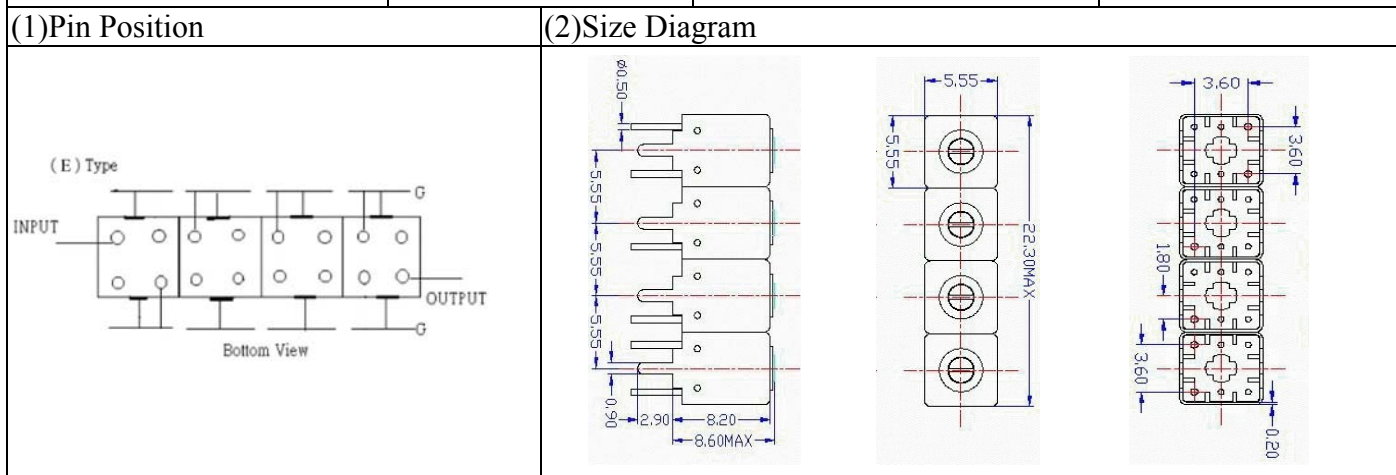


VHF UHF Helical Filter Specification Sheet

Customer Name		Temwell's Part No.	TFW4624E-2140M
Approval No. /dated	0712107APR	Temwell,s print Name	2101~2150M
Work Instruction No.	0712107CD	Date	Mar.24.2008



(3) Electric Charasteric

Item	Specify	Performance	
Center Freq.(Fo) +/- 0.5 %	2140 MHz	2140 MHz	
Insertion Loss	Typ. 3.5 dB	2.95 dB	
-3 dB Bandwidth	Typ. 86 MHz	97 MHz	
Sensitivity (Attenuation)	Fo - 100 MHz	Typ. 28 dBc	31 dBc
	Fo + 100 MHz	Typ. 16 dBc	19 dBc
	Fo - ()MHz	Typ. dBc	dBc
	Fo +()MHz	Typ. dBc	dBc
Return Loss	Min. 12 dB	12.7 dB	
Ripple	< 1 dB	dB	
Impedance	In / Out : 50 Ω	In / Out : 50 Ω	

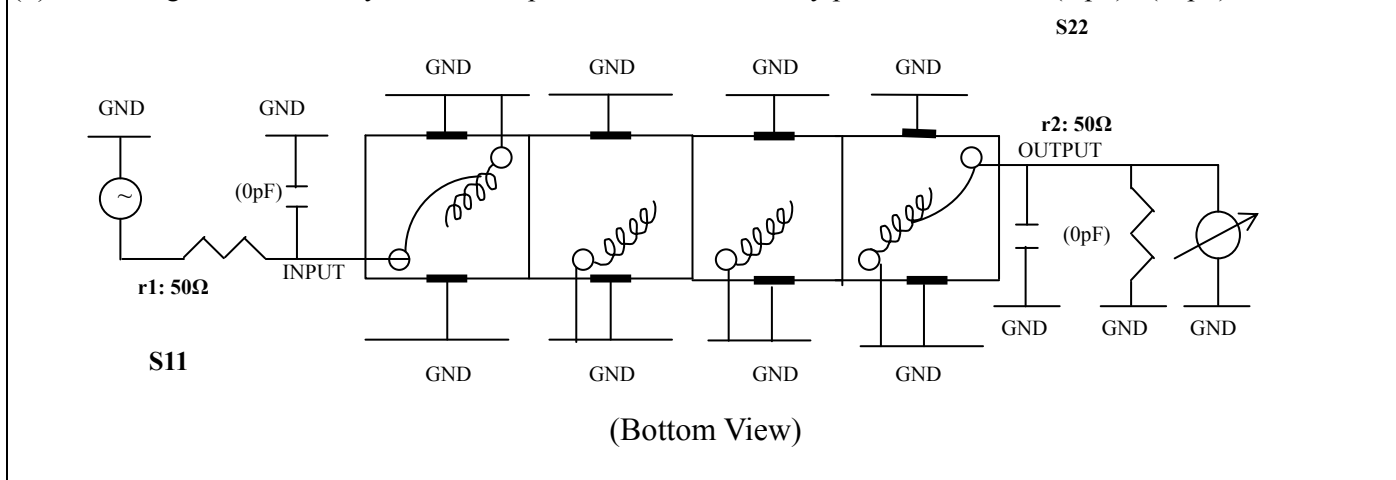
(4) Torque for Tuning Screw > 60gf · cm

(5) Temperature Condition:

Operating Temperature	-0°C ~ +60°C
Storage Temperature	-20°C ~ +70°C

(6) Input Power > 0.5Watt

(7) Measuring Circuit: ※Easy to match Impedance S11/S22 50Ω by parallel with about(0 pF) / (0 pF).



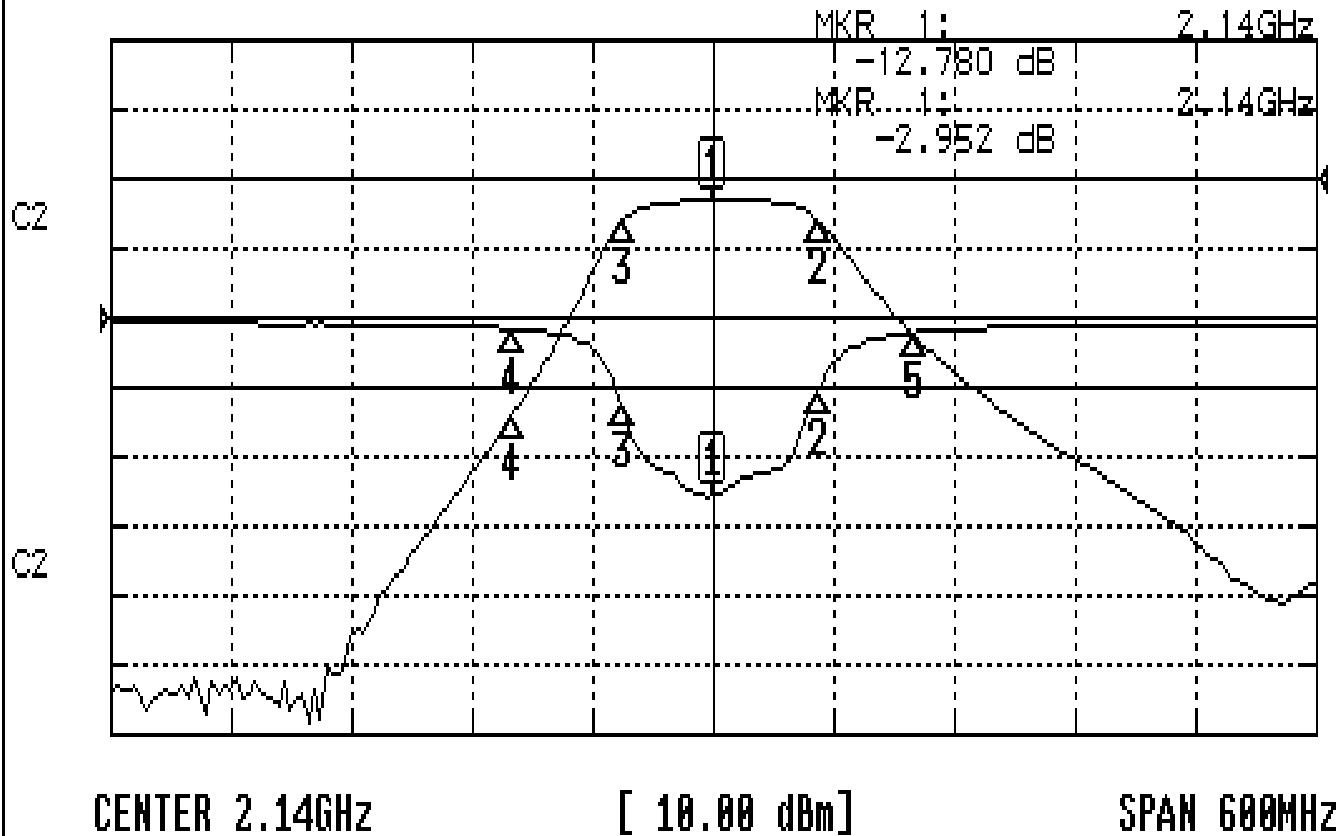
Approval	Supervisor	Designer	Aperture size
C.Y.Chang	C.S.Chang	Y.H.Yeh	5W4S(3.8*5.1)(3.2B) 5HW046RB3.2

TEMWELL CORPORATION

Performance-TFW4624E-2140M

0712107CD

CH1 S11 LOG MAG REF 0.000 dB 5.000 dB/
CH2 S21 LOG MAG REF 0.000 dB 10.000 dB/



CH1 MARKER LIST

1:	2.140 000GHz	-12.780 dB
2:	2.192 000GHz	-5.390 dB
3:	2.095 000GHz	-6.308 dB
4:	2.040 000GHz	-0.799 dB
5:	2.240 000GHz	-1.029 dB

CH2 MARKER LIST

1:	2.140 000GHz	-2.956 dB
2:	2.192 000GHz	-5.929 dB
3:	2.095 000GHz	-6.006 dB
4:	2.040 000GHz	-34.134 dB
5:	2.240 000GHz	-22.431 dB