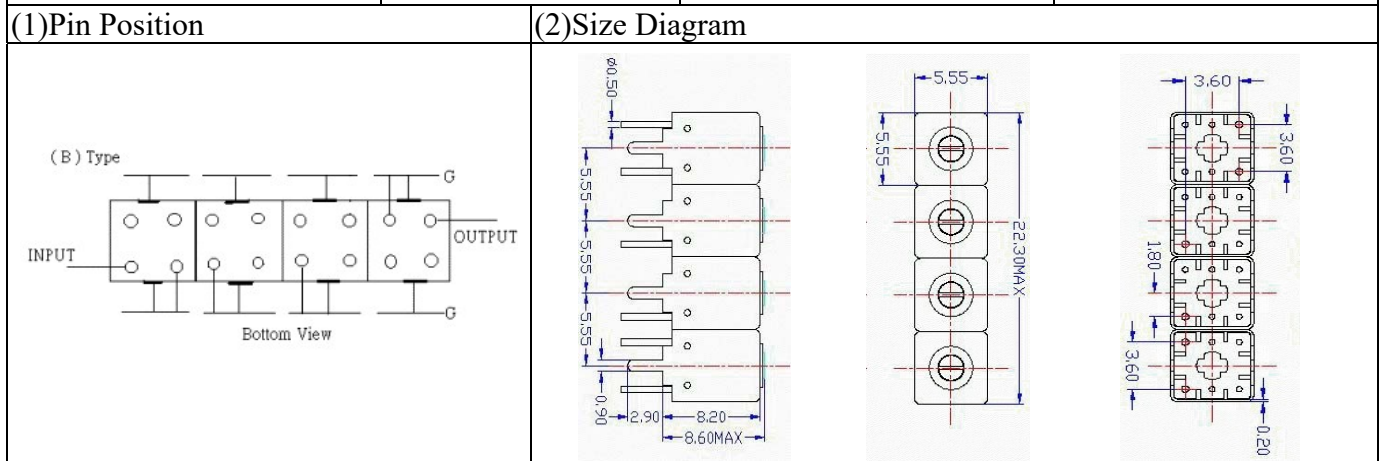


VHF UHF Helical Filter Specification Sheet

Customer Name		Temwell's Part No.	TFW4610B-1950M
Approval No. /dated	0707272APR	Acceptable Fo Specify Range	1901-1950MHz
Work Instruction No.	0707272DB	Date	Jul.26.2007



(3) Electric Characteristic

Item	Specify	Performance	
Center Freq.(Fo) +/- 0.5 %	1950 MHz	1950 MHz	
Insertion Loss	Typ. 4.5 dB	3.44 dB	
-3 dB Bandwidth	Typ. 67 MHz	77 MHz	
Sensitivity (Attenuation)	Fo - 100 MHz	Typ. 38 dBc	41 dBc
	Fo + 100 MHz	Typ. 27 dBc	30 dBc
	Fo - ()MHz	Typ. dBc	dBc
	Fo +()MHz	Typ. dBc	dBc
Return Loss	Min. 12 dB	15.3 dB	
Ripple	< 1 dB	dB	
Impedance	In / Out : 50 Ω	In / Out : 50 Ω	

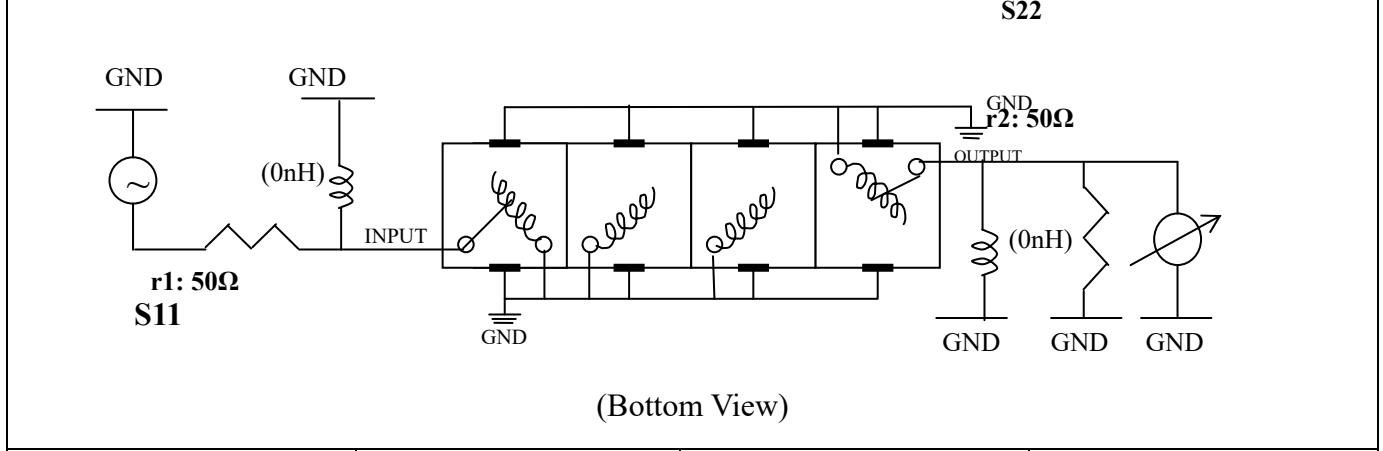
(4) Torque for Tuning Screw > 60gf · cm

(5) Temperature Condition:

Operating Temperature	0°C ~ +60°C
Storage Temperature	-20°C ~ +70°C

(6) Input Power > 0.5Watt

(7) Measuring Circuit: ※Easy to match Impedance S11/S22 50Ω by parallel with about(0 nH) / (0 nH).

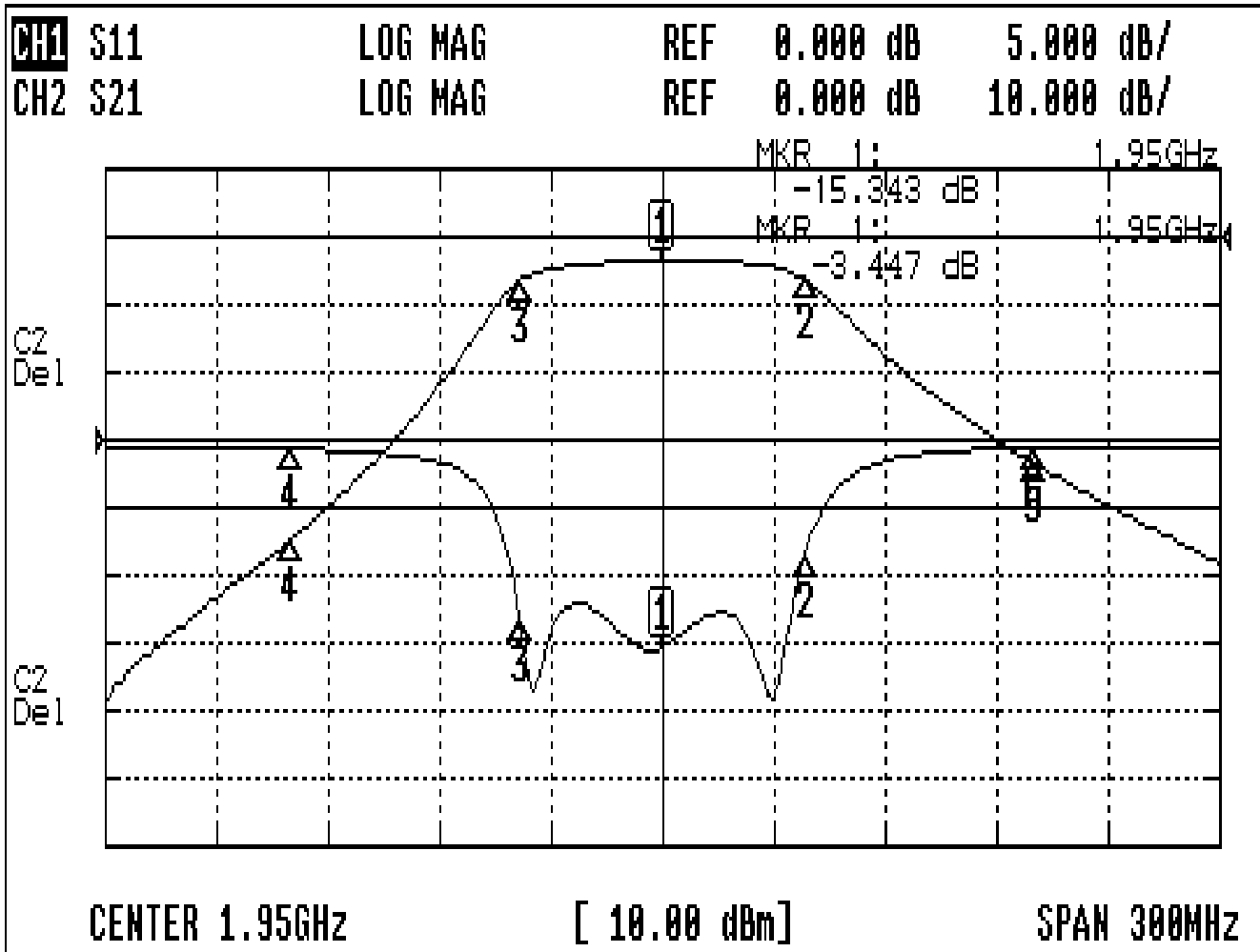


Approval	Supervisor	Designer	Aperture size
C.Y.Chang	C.S.Chang	C.S.Chang	5W4(3.8*4.0) 5HW046RB3.2

TEMWELL CORPORATION

Performance-TFW4610B-1950M

0707272DB



CH1 MARKER LIST

1:	1.950 000GHz	-15.343 dB
2:	1.988 500GHz	-8.381 dB
3:	1.911 750GHz	-13.213 dB
4:	1.850 000GHz	-0.659 dB
5:	2.050 000GHz	-0.578 dB

CH2 MARKER LIST

1:	1.950 000GHz	-3.447 dB
2:	1.988 500GHz	-6.475 dB
3:	1.911 750GHz	-6.452 dB
4:	1.850 000GHz	-44.661 dB
5:	2.050 000GHz	-33.480 dB