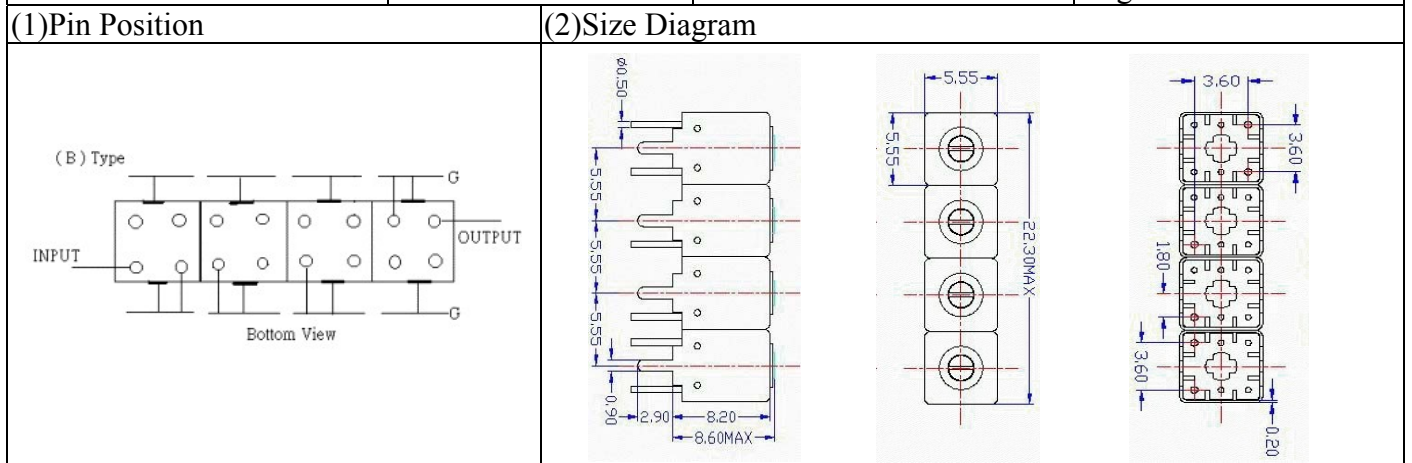
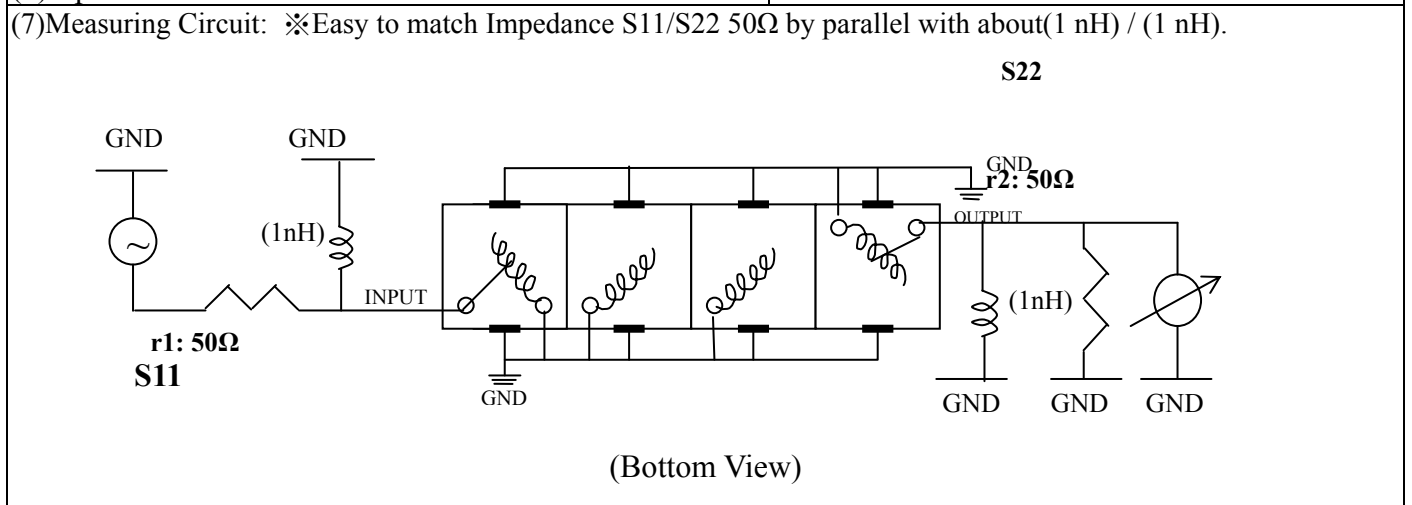


VHF UHF Helical Filter Specification Sheet

Customer Name		Temwell's Part No.	TFW4605B-2250M
Approval No. /dated	0607063APR	Acceptable Fo Specify Range	2201-2250MHz
Work Instruction No.	0607063DB	Date	Aug.01.2006



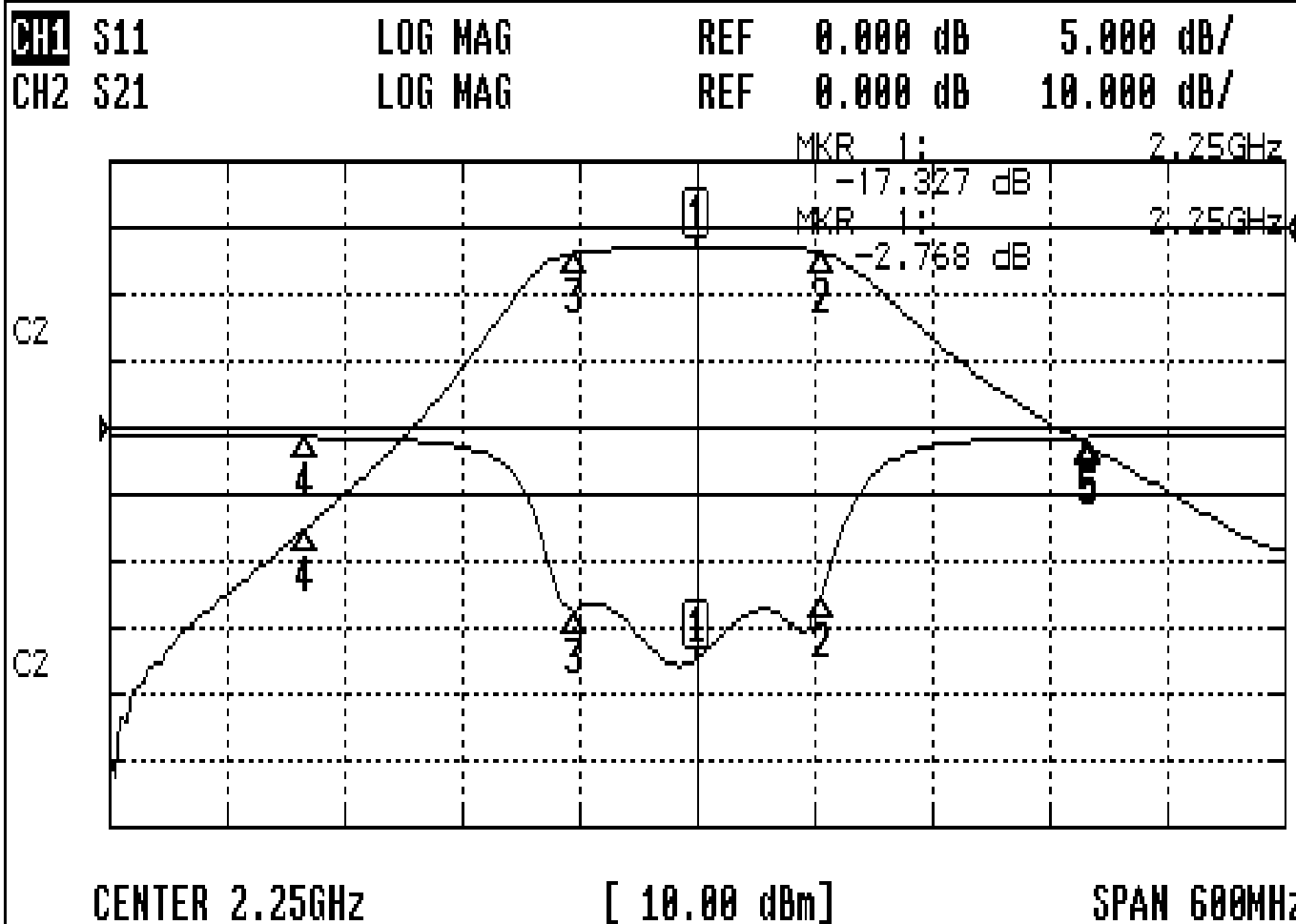
(3) Electric Charasteric		Specify	Performance
Item			
Center Freq.(Fo) +/- 0.5 %		2250 MHz	2250 MHz
Insertion Loss		Typ. 3.5 dB	2.76 dB
-1 dB Bandwidth		Typ. 116 MHz	127 MHz
-3 dB Bandwidth		Typ. 121 MHz	132 MHz
Sensitivity (Attenuation)	Fo - 200 MHz	Typ. 38 dBc	42 dBc
	Fo + 200 MHz	Typ. 25 dBc	30 dBc
	Fo - ()MHz	Typ. dBc	dBc
	Fo +()MHz	Typ. dBc	dBc
Return Loss		Min. 12 dB	17.3 dB
Ripple		< 1 dB	dB
Impedance		In / Out : 50 Ω	In / Out : 50 Ω
(4) Torque for Tuning Screw		> 60gf • cm	
(5) Temperature Condition:			
Operating Temperature		0°C ~ +60°C	
Storage Temperature		-20°C ~ +70°C	
(6) Input Power		> 0.5Watt	



Approval	Supervisor	Designer	Aperture size
C.Y.Chang	C.S.Chang	C.S.Chang	5W4(3.8*4.0)(4.08) 5HW046RB4

Performance-TFW4605B-2250M

0607063DB



CH1 MARKER LIST

Marker	Frequency (GHz)	Magnitude (dB)
1	2.250 000	-17.312
2	2.314 000	-12.577
3	2.187 000	-13.681
4	2.050 000	-0.709
5	2.450 000	-0.732

CH2 MARKER LIST

Marker	Frequency (GHz)	Magnitude (dB)
1	2.250 000	-2.768
2	2.314 000	-3.761
3	2.187 000	-3.756
4	2.050 000	-45.204
5	2.450 000	-32.745