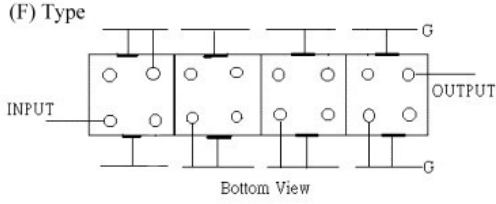
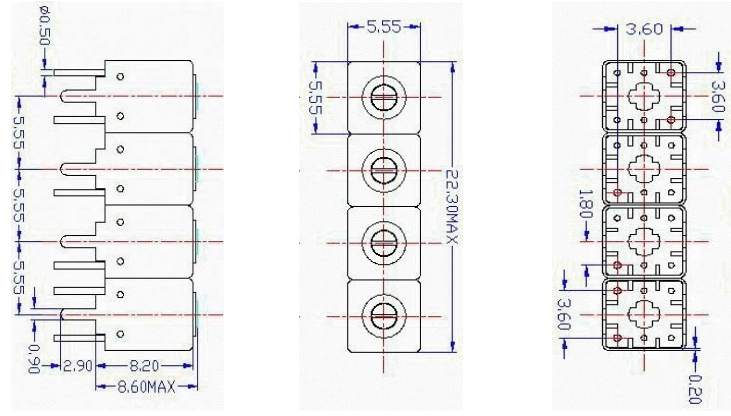


VHF UHF Helical Filter Specification Sheet

Customer Name		Temwell's Part No.	TFW4602F-1842.5M
Approval No. /dated	20302015DC	Acceptable Specify Fo. Range	1801~1850MHz
Work Instruction No.	20302015DC	Date	Jan.05.2003

<p>(1)Pin Position</p>  <p>(F) Type INPUT OUTPUT Bottom View</p>	<p>(2)Size Diagram</p> 
---	---

(3)Electric Character

Item	Specify	Performance
Center Freq.(Fo) +/- 0.5 %	1842.5 MHz	1842.5 MHz
Insertion Loss	Typ. 4.0 dB	3.1 dB
-3 dB Bandwidth	Typ. 69 MHz	78 MHz
Sensitivity (Attenuation)	Fo - 200 MHz	Typ. 52 dBc
	Fo + 200 MHz	Typ. 61 dBc
	Fo - 1747.5MHz	Typ. 25 dBc
	Fo + ()MHz	Typ. dBc
Return Loss	Min. 12 dB	23 dB
Ripple	< 1 dB	dB
Impedance	In / Out : 50 Ω	In / Out : 50 Ω

(4)Torque for Tuning Screw > 60gf • cm

(5)Temperature Condition:

Operating Temperature	0°C ~ +60°C
Storage Temperature	-20°C ~ +70°C

(6)Input Power > 0.5Watt

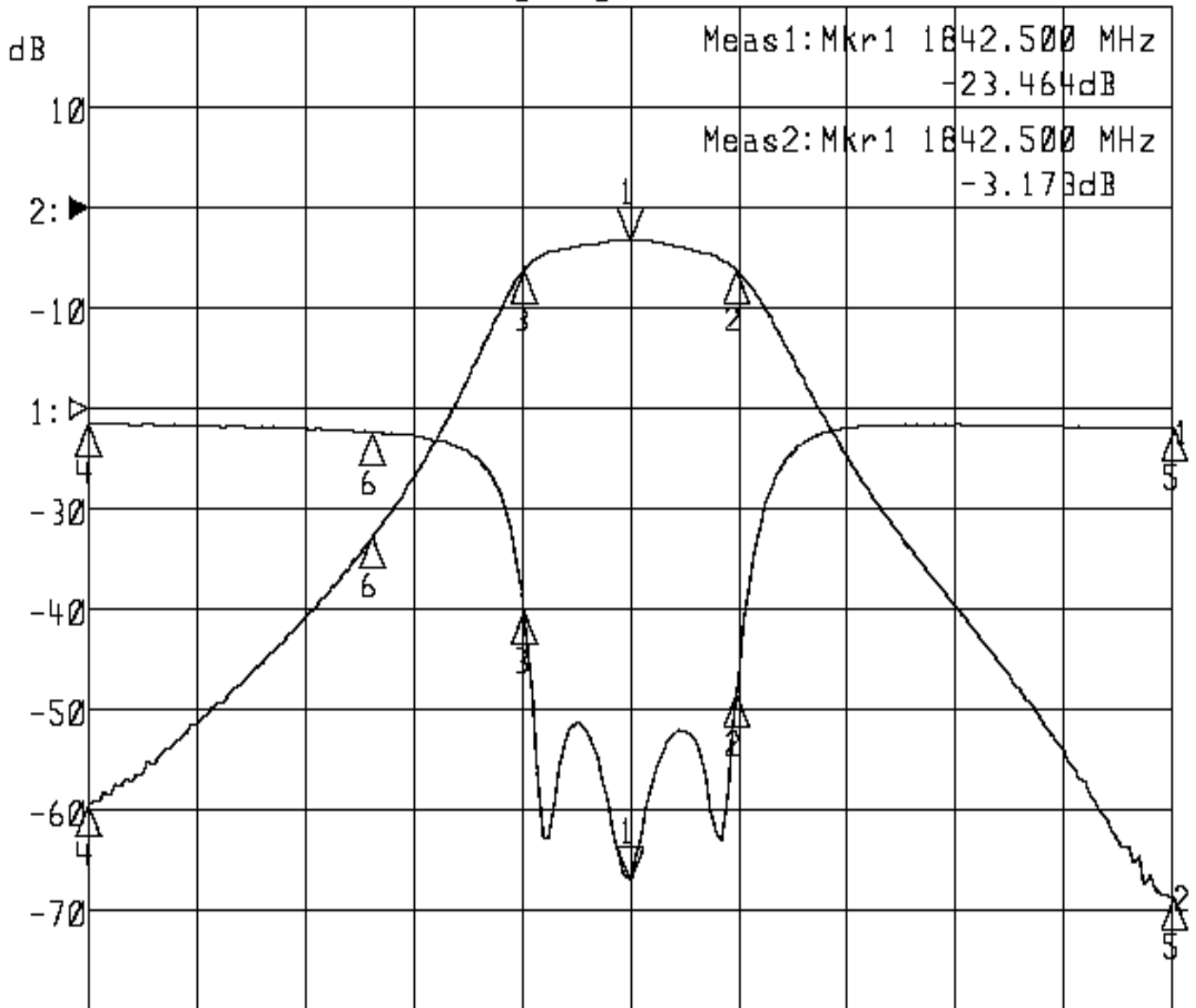
Approval	Supervisor	Designer	Aperture size
C.Y. Chang	C.S. Chang	P.H. Chiang	5W3S(3.8*4.0)(4.07)SP 5HW046RB3.2

TEMWELL CORPORATION

Performance-TFW4602F-1842.5M

20302015DC

▶1:S11 Refl Port1 Log Mag 5.0 dB/ Ref 0.00 dB C
 ▶2:S21 Fwd Trans Log Mag 10.0 dB/ Ref 0.00 dB C



Meas1:Mkr1 1842.500 MHz
 -23.464dB
 Meas2:Mkr1 1842.500 MHz
 -3.173dB

Center 1 842.500 MHz

Span 400.000 MHz

1:Mkr (MHz)	dB	2:Mkr (MHz)	dB
1> 1842.5000	-23.464	1> 1842.5000	-3.173
2: 1881.7000	-14.248	2: 1881.7000	-6.145
3: 1803.4333	-10.107	3: 1803.4333	-6.139
4: 1642.5000	-0.744	4: 1642.5000	-59.435
5: 2042.5000	-1.005	5: 2042.5000	-68.709
6: 1747.5000	-1.191	6: 1747.5000	-32.823