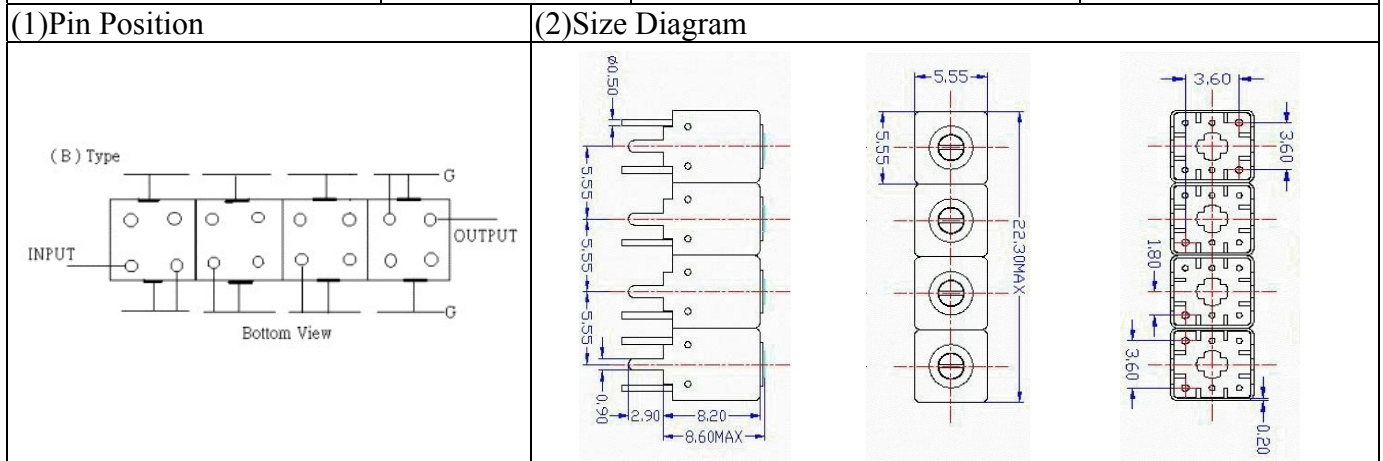


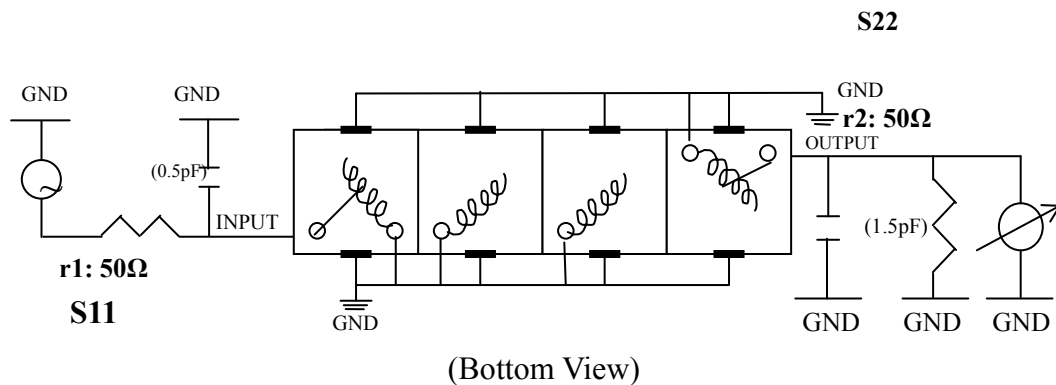
# VHF UHF Helical Filter Specification Sheet

Customer Name		Temwell's Part No.	TFW4599B-1275M
Approval No. /dated	20506001B	Acceptable Specify Fo. Range	1251~1300MHz
Work Instruction No.	20506001B	Date	Jun.07.2005



Item		Specify	Performance
Center Freq.(Fo ) +/- 0.5 %		1275 MHz	1275 MHz
Tunable Range		1275±5 MHz	1275±5 MHz
Insertion Loss		Typ. 6.5 dB	4.91 dB
-3 dB Bandwidth		Typ. 37 MHz	43.5 MHz
Sensitivity (Attenuation)	Fo - 70 MHz	Typ. 46 dBc	48 dBc
	Fo + 70 MHz	Typ. 33 dBc	35 dBc
	Fo - ( )MHz	Typ. dBc	dBc
	Fo + ( )MHz	Typ. dBc	dBc
Return Loss		Min. 12 dB	23 dB
Ripple		< 1 dB	dB
Impedance		In / Out : 50 Ω	In / Out : 50 Ω
(4) Torque for Tuning Screw		> 60gf • cm	
(5) Temperature Condition:			
Operating Temperature		0°C ~ +60°C	
Storage Temperature		-20°C ~ +70°C	
(6) Input Power		> 1 Watt	

(7) Measuring Circuit: ※ Easy to match Impedance S11/S22 50Ω/ by parallel with about(0~0.5 pF) / (0~1.5pF).

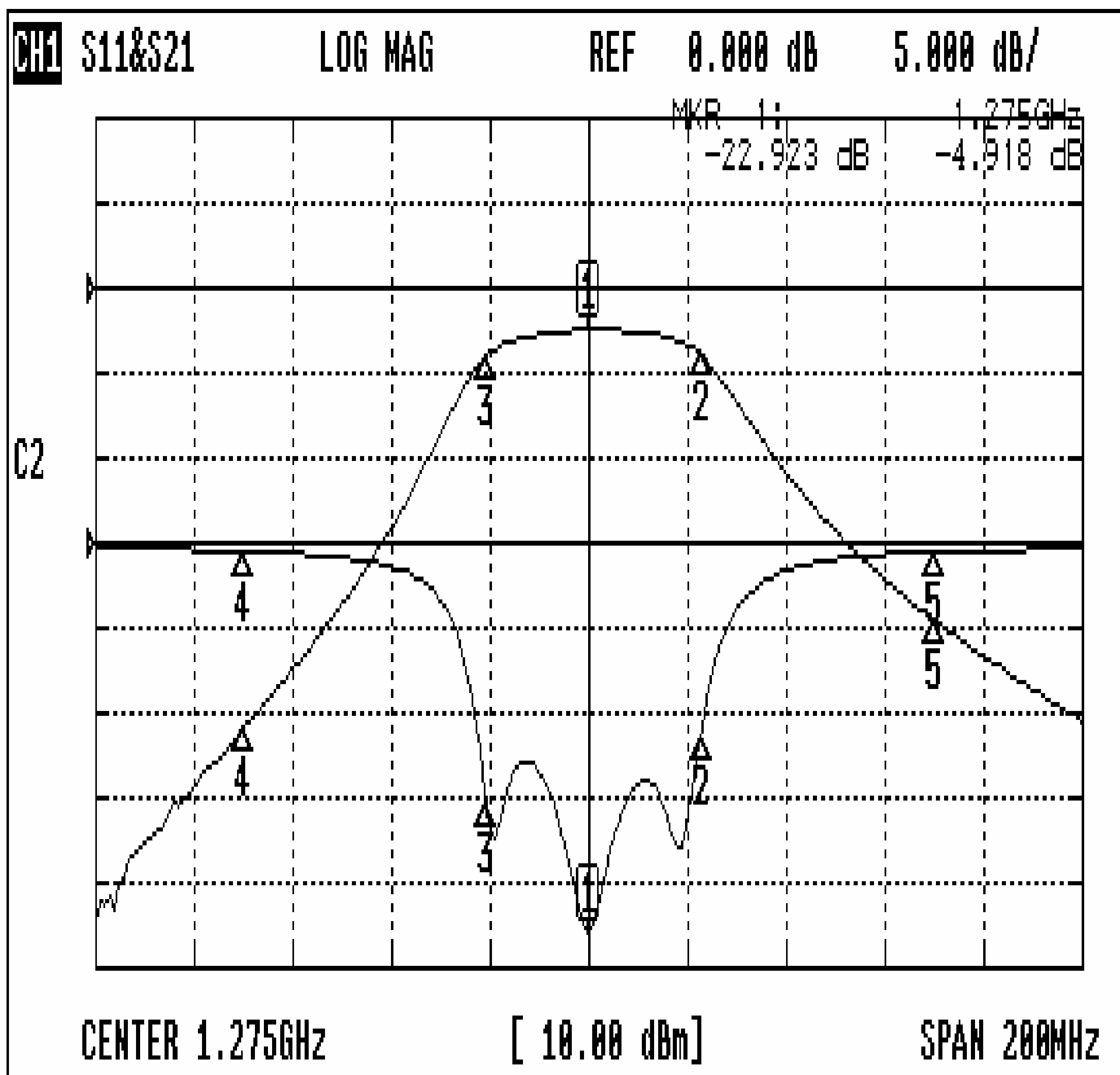


Approval	Supervisor	Designer	Aperture size
C.Y.Chang	C.S.Chang	P.H.Chiang	5W4S(3.8*4.0) 5HW024RB3

TEMWELL CORPORATION

# Performance-TFW4599B-1275M

## 20506001B



### CH1 MARKER LIST

1:	1.275 000GHz	-22.923 dB	-4.918 dB
2:	1.297 833GHz	-10.982 dB	-7.929 dB
3:	1.254 333GHz	-15.319 dB	-7.948 dB
4:	1.205 000GHz	-0.476 dB	-52.035 dB
5:	1.345 000GHz	-0.523 dB	-39.051 dB
6:			