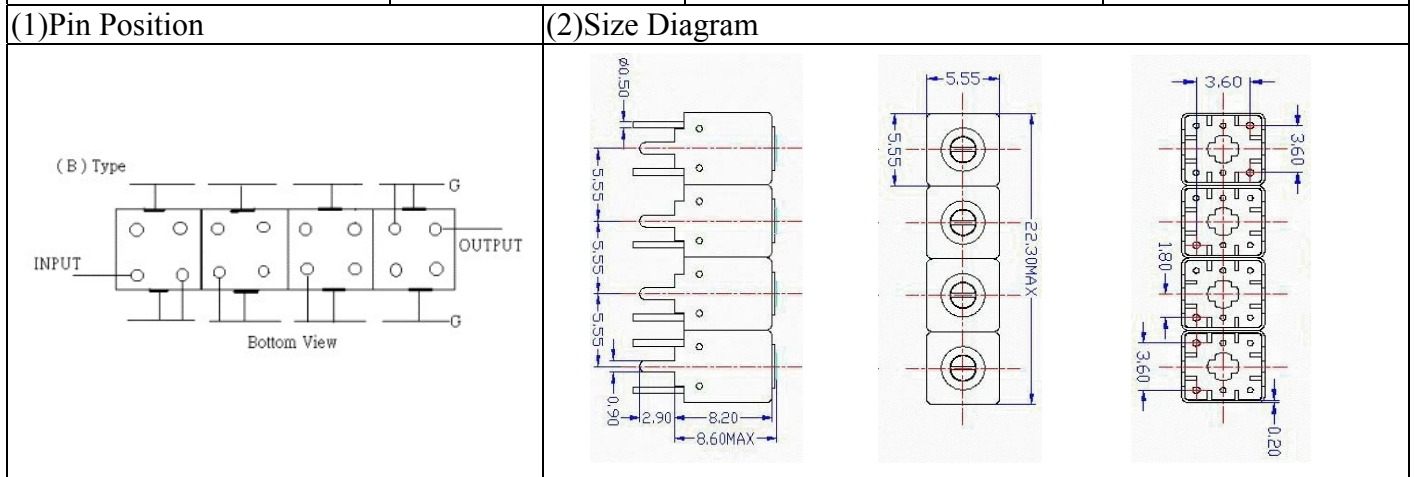
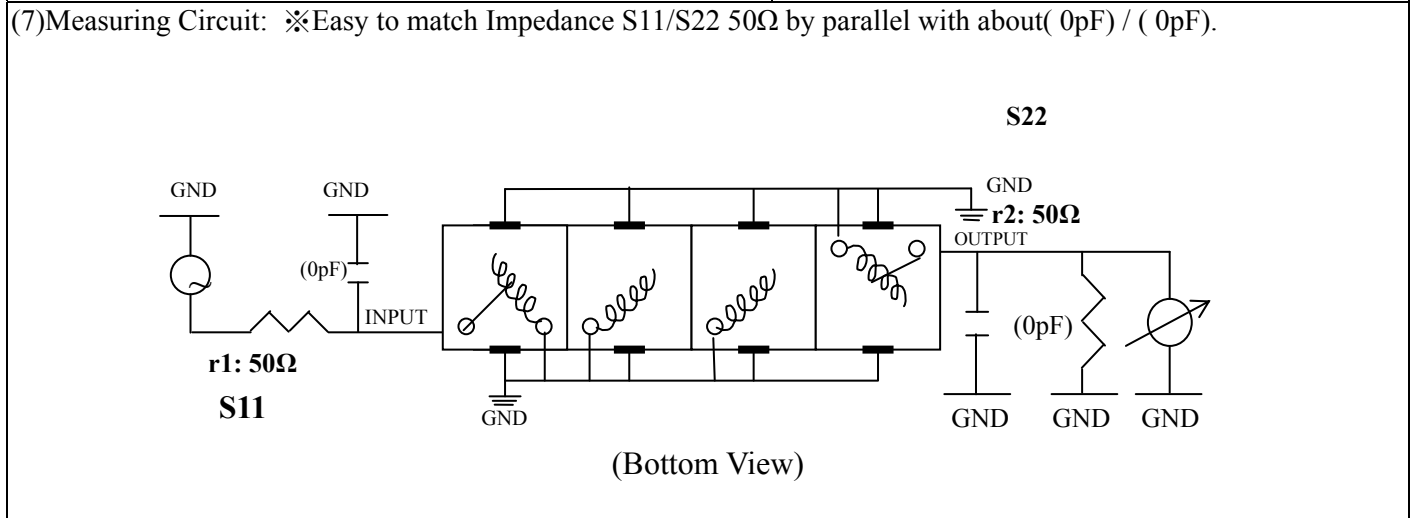


VHF UHF Helical Filter Specification Sheet

Customer Name		Temwell's Part No.	TFW4588B-1575M
Approval No. /dated	20401013B	Acceptable Specify Fo Range	1551~1600MHz
Work Instruction No.	20401013B	Date	Jan.10.2004



(3) Electric Characteristic			
Item		Specify	Performance
Center Freq.(Fo) +/- 0.5 %		1575 MHz	1575 MHz
Insertion Loss		Typ. 5.0 dB	3.66 dB
-3 dB Bandwidth		Typ. 50 MHz	59 MHz
Sensitivity (Attenuation)	Fo - 100 MHz	Typ. 50 dBc	56 dBc
	Fo + 100 MHz	Typ. 32 dBc	37 dBc
	Fo - ()MHz	Typ. dBc	dBc
	Fo +()MHz	Typ. dBc	dBc
Return Loss		Min. 12 dB	18 dB
Ripple		< 1 dB	dB
Impedance		In / Out : 50 Ω	In / Out : 50 Ω
(4) Torque for Tuning Screw		> 60gf · cm	
(5) Temperature Condition:			
Operating Temperature		0°C ~ +60°C	
Storage Temperature		-20°C ~ +70°C	
(6) Input Power		> 0.5Watt	



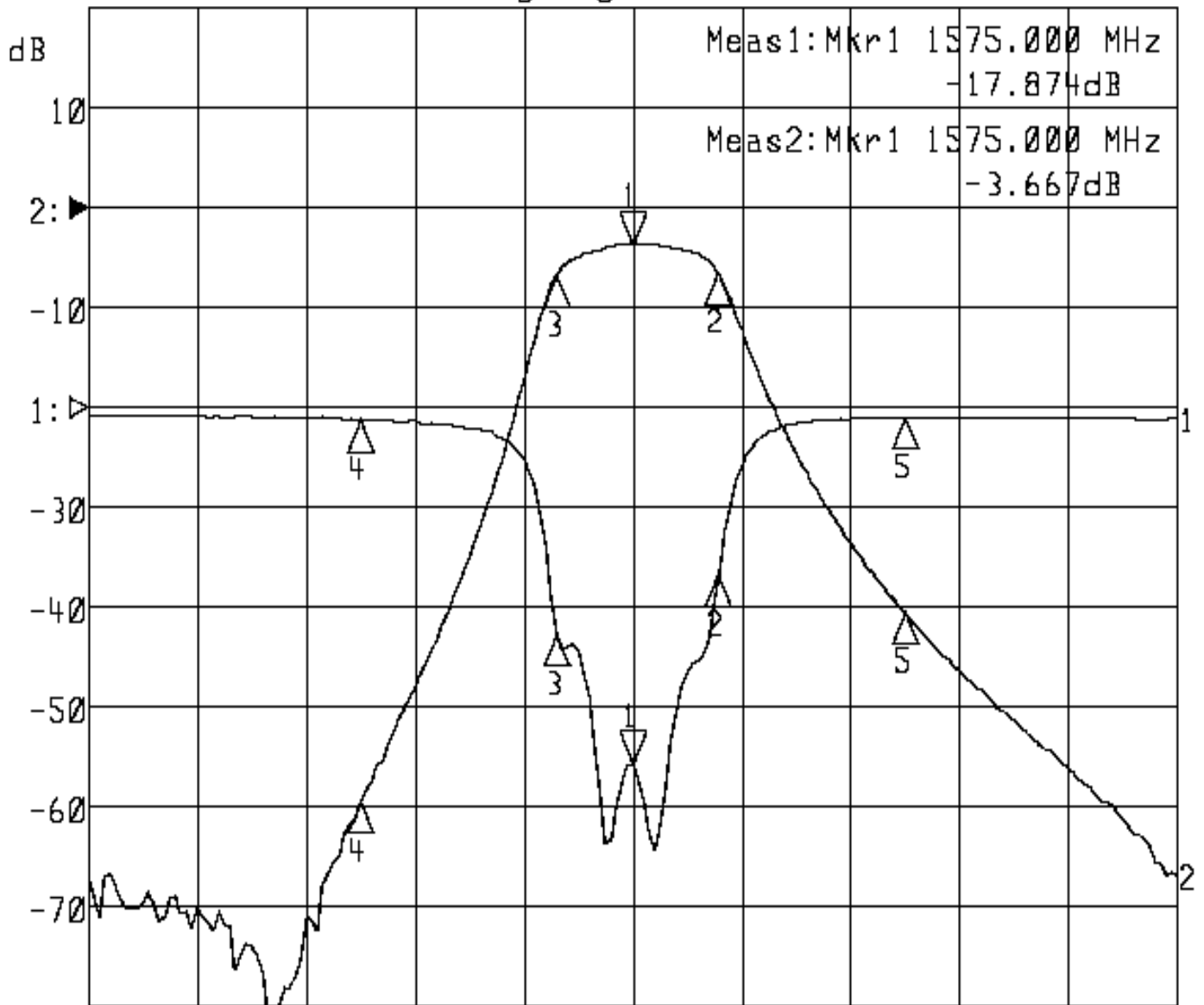
Approval	Supervisor	Designer	Aperture size
C.Y.Chang	C.S.Chang	W.W.Wang	5W4,3.8*4.5(4.55) 5W024RB3

TEMWELL CORPORATION

Performance-TFW4588B-1575M

20401013B

▷1:S11 Refl Port1 Log Mag 5.0 dB/ Ref 0.00 dB C
▼2:S21 Fwd Trans Log Mag 10.0 dB/ Ref 0.00 dB C



Center 1 575.000 MHz

Span 400.000 MHz

1: Mkr (MHz)	dB	2: Mkr (MHz)	dB
1> 1575.0000	-17.874	1> 1575.0000	-3.667
2: 1606.4667	-8.404	2: 1606.4667	-6.593
3: 1547.0000	-11.318	3: 1547.0000	-6.648
4: 1475.0000	-0.602	4: 1475.0000	-59.437
5: 1675.0000	-0.540	5: 1675.0000	-40.610