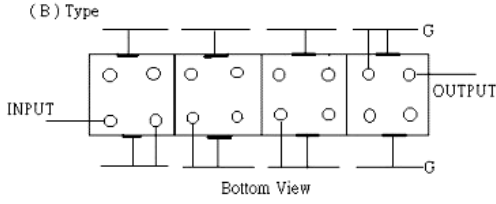
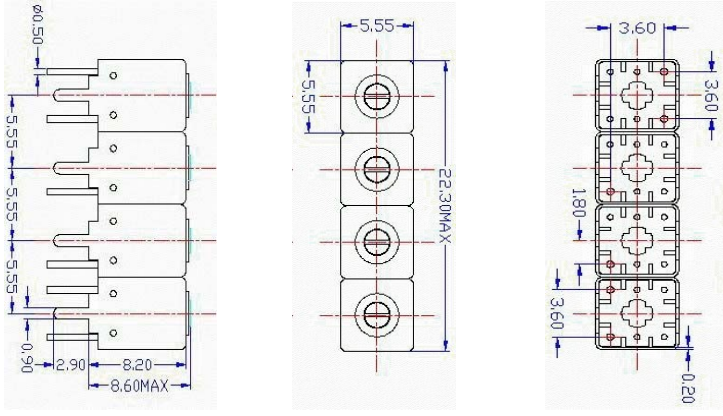


# VHF UHF Helical Filter Specification Sheet

Customer Name		Temwell's Part No.	TFW4571B-975M
Approval No. /dated	20202021DC	Acceptable Specify Fo. Range	951~1000MHz
Work Instruction No.	20202021DC	Date	Apr.25.2002

<p>(1)Pin Position</p>  <p style="text-align: center;">Bottom View</p>	<p>(2)Size Diagram</p> 
---	---

**(3)Electric Character**

Item	Specify	Performance
Center Freq.(Fo ) +/- 0.5 %	975 MHz	975 MHz
Insertion Loss	Typ. 5.5 dB	4.9 dB
-3 dB Bandwidth	Typ. 27 MHz	32 MHz
Sensitivity (Attenuation)	Fo - 50 MHz	Typ. 42 dBc
	Fo + 50 MHz	Typ. 31 dBc
	Fo - ( )MHz	Typ. dBc
	Fo +( )MHz	Typ. dBc
Return Loss	Min. 12 dB	17 dB
Ripple	< 1 dB	dB
Impedance	In / Out : 50 Ω	In / Out : 50 Ω

(4)Torque for Tuning Screw > 60gf • cm

**(5)Temperature Condition:**

Operating Temperature	0°C ~ +60°C
Storage Temperature	-20°C ~ +70°C

(6)Input Power > 0.5Watt

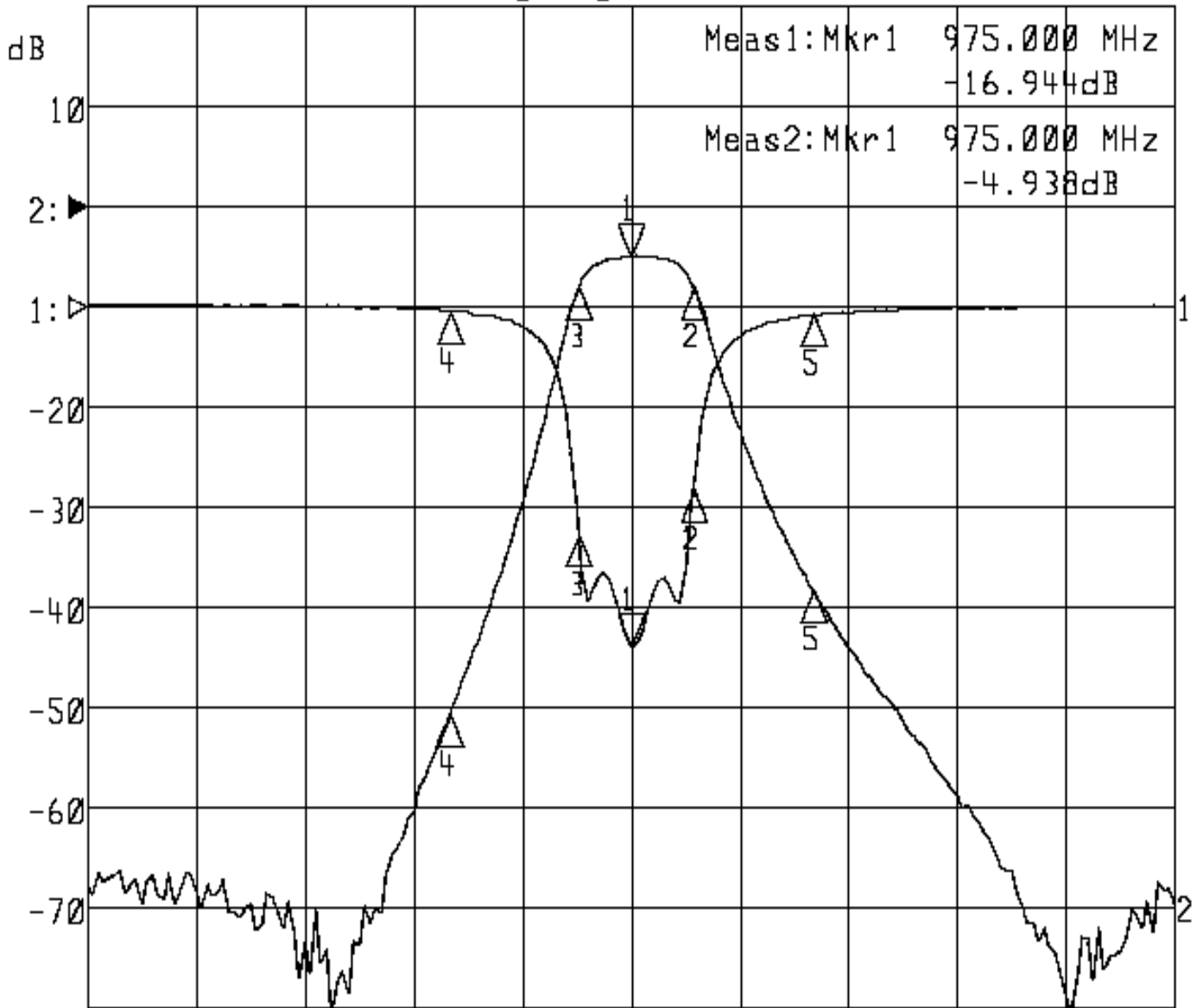
Approval	Supervisor	Designer	Aperture size
C.Y. Chang	C.S. Chang	C.S. Chang	5W3S(3.8*3.5) 5HW024RB3

TEMWELL CORPORATION

# Performance-TFW4571B-975M

## 20202021DC

▷1: S11 Refl Port1    Log Mag    5.0 dB/ Ref    0.00 dB    C  
 ▶2: S21 Fwd Trans    Log Mag    10.0 dB/ Ref    0.00 dB    C



Meas1: Mkr1    975.000 MHz  
                  -16.944 dB  
 Meas2: Mkr1    975.000 MHz  
                  -4.938 dB

Center 975.000 MHz

Span 300.000 MHz

1: Mkr (MHz)	dB	2: Mkr (MHz)	dB
1> 975.0000	-16.944	1> 975.0000	-4.938
2: 992.1000	-9.076	2: 992.1000	-7.927
3: 960.7000	-11.413	3: 960.7000	-7.908
4: 925.0000	-0.189	4: 925.0000	-50.660
5: 1025.0000	-0.396	5: 1025.0000	-38.141