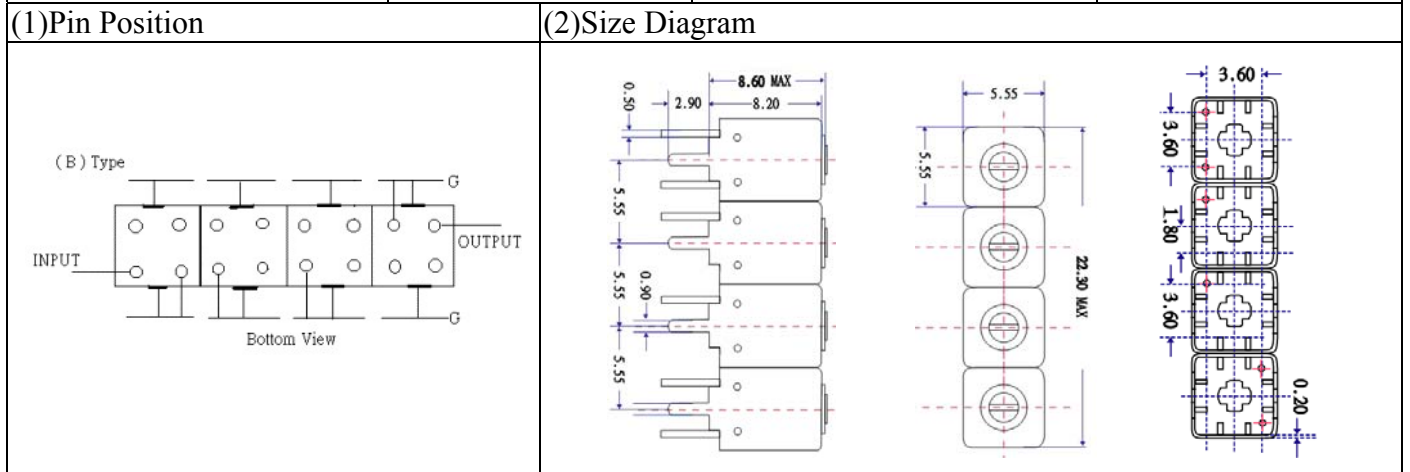


VHF UHF Helical Filter Specification Sheet

Customer Name		Temwell's Part No.	TFW4570B-960M
Approval No. /dated	201803068CD	Temwell's Print name	4570B 960M
Work Instruction No.	201803068CD	Date	Apr.13.2018



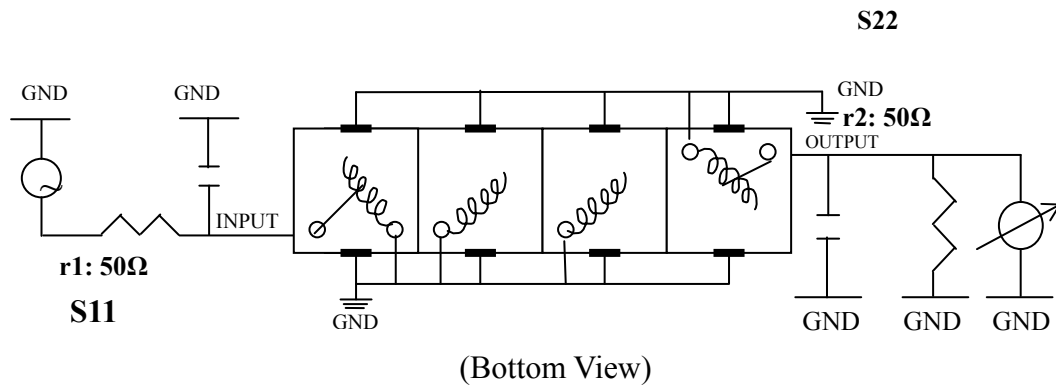
(3)Electric Charasteric

Item	Specify	Performance	
Center Freq.(Fo) +/- 0.5 %	960 MHz	960 MHz	
Insertion Loss	Typ. 4.0 dB	3.18 dB	
-3 dB Bandwidth	Typ. 30 MHz	36.4 MHz	
Sensitivity (Attenuation)	Fo - 100 MHz	Typ. 55 dBc	65 dBc
	Fo + 100 MHz	Typ. 44 dBc	54 dBc
	Fo - ()MHz	Typ. dBc	dBc
	Fo +()MHz	Typ. dBc	dBc
Return Loss	Min. 12 dB	25.7 dB	
Ripple	< 1 dB	dB	
Impedance	In / Out : 50 Ω	In / Out : 50 Ω	
(4)Torque for Tuning Screw	> 60gf · cm		

(5)Temperature Condition:

Operating Temperature	0°C ~ +60°C
Storage Temperature	-20°C ~ +70°C
(6)Input Power	> 0.5Watt

(7)Measuring Circuit: ※Easy to match Impedance S11/S22 50Ω by parallel with about(- -).



Approval	Supervisor	Designer	Aperture size
C.Y.Chang	C.K.Chang	C.S.Chang	5W4S(3.8*4.5)(4.52) 5HW024RB3

TEMWELL CORPORATION

Performance-TFW4570B-960M

201803068CD

