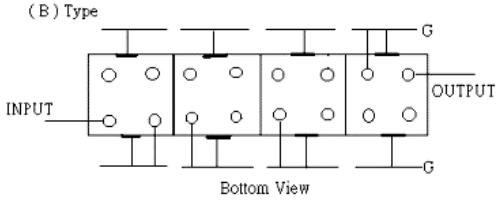
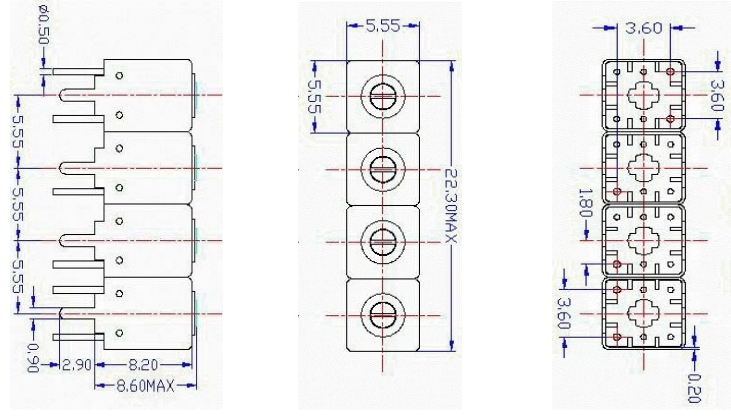


# VHF UHF Helical Filter Specification Sheet

Customer Name		Temwell's Part No.	TFW4565B-927M
Approval No. /dated	20208104DC	Acceptable Specify Fo. Range	901~950MHz
Work Instruction No.	20208104DC	Date	Aug.23.2002

<p>(1)Pin Position</p>  <p style="text-align: center;">Bottom View</p>	<p>(2)Size Diagram</p> 
---	---

**(3)Electric Character**

Item	Specify	Performance
Center Freq.(Fo ) +/- 0.5 %	927 MHz	927 MHz
Insertion Loss	Typ. 3.5 dB	2.9 dB
-3 dB Bandwidth	Typ. 39 MHz	44 MHz
Sensitivity (Attenuation)	Fo - 100 MHz	Typ. 70 dBc
	Fo + 100 MHz	Typ. 43 dBc
	Fo - ( )MHz	Typ. dBc
	Fo +( )MHz	Typ. dBc
Return Loss	Min. 12 dB	15 dB
Ripple	< 1 dB	dB
Impedance	In / Out : 50 Ω	In / Out : 50 Ω
(4)Torque for Tuning Screw	> 60gf • cm	

**(5)Temperature Condition:**

Operating Temperature	0°C ~ +60°C
Storage Temperature	-20°C ~ +70°C

**(6)Input Power**

	> 0.5Watt
--	-----------

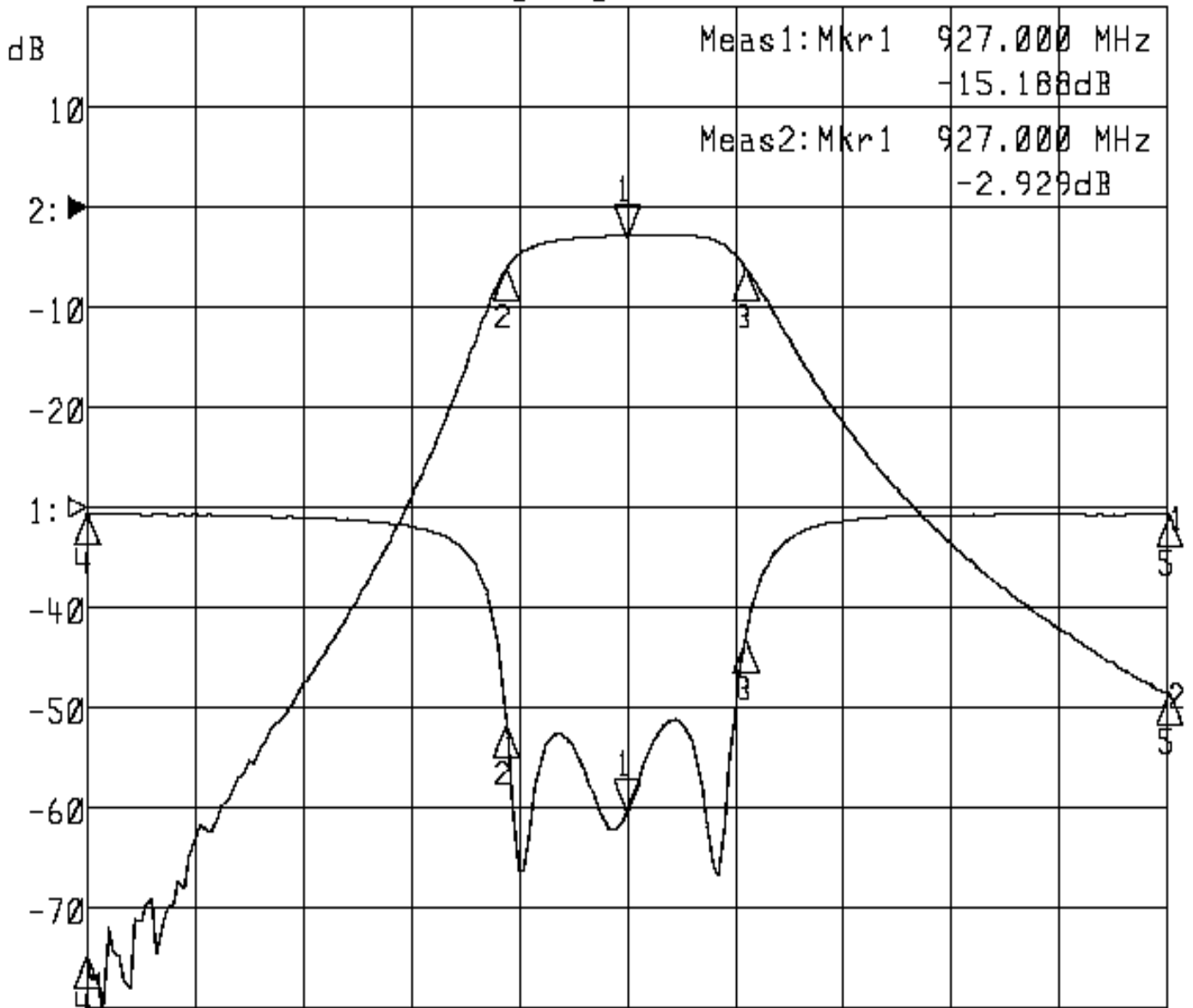
Approval	Supervisor	Designer	Aperture size
C.Y. Chang	C.S. Chang	C.S. Chang	5W3S(3.8*4.7) 5HW024RB3

**TEMWELL CORPORATION**

# Performance-TFW4565B-927M

## 20208104DC

▶1:S11 Refl Port1 Log Mag 5.0 dB/ Ref 0.00 dB C?  
 ▶2:S21 Fwd Trans Log Mag 10.0 dB/ Ref 0.00 dB C?



Center 927.000 MHz

Span 200.000 MHz

1: Mkr (MHz)	dB	2: Mkr (MHz)	dB
1> 927.0000	-15.188	1> 927.0000	-2.929
2: 904.8000	-10.836	2: 904.8000	-5.998
3: 948.8667	-6.576	3: 948.8667	-5.955
4: 827.0000	-0.303	4: 827.0000	-74.728
5: 1027.0000	-0.390	5: 1027.0000	-48.590