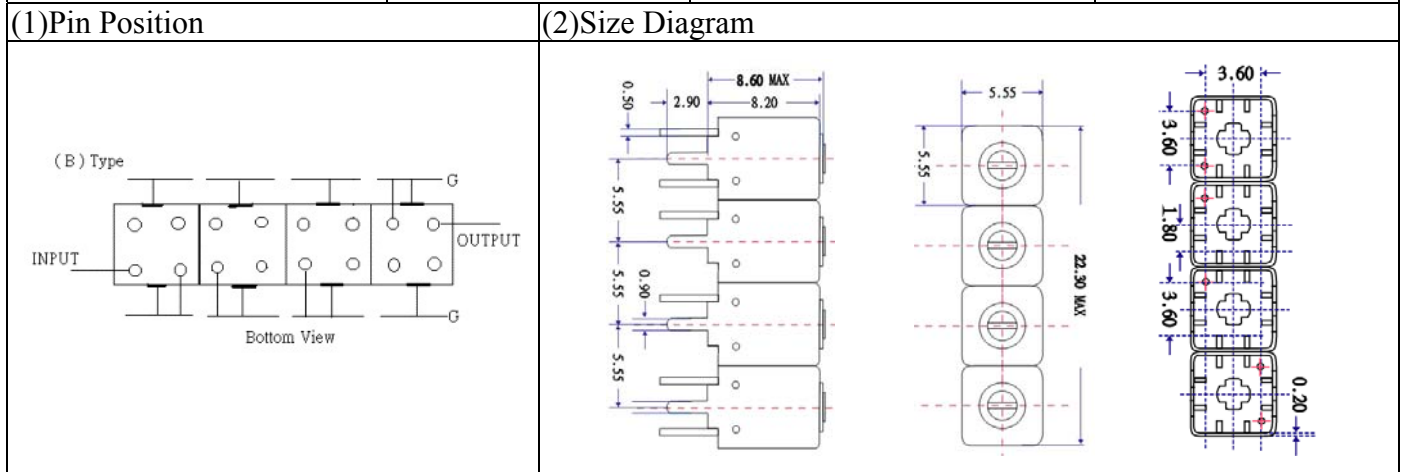


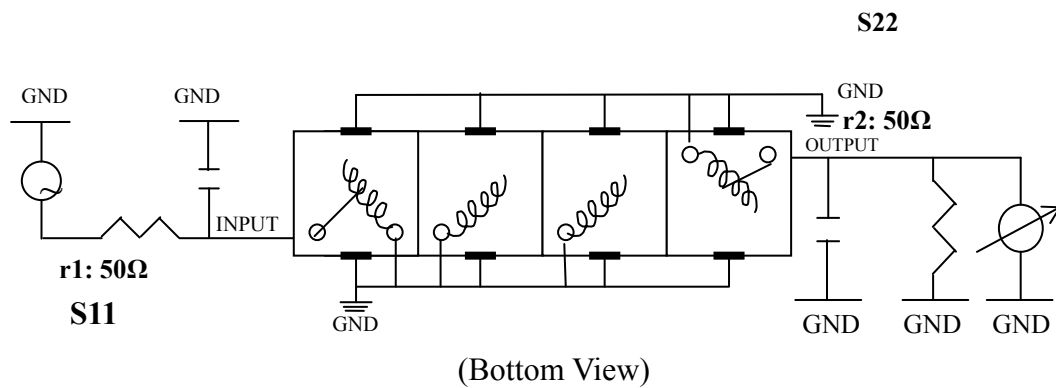
VHF UHF Helical Filter Specification Sheet

Customer Name		Temwell's Part No.	TFW4549B-898M
Approval No. /dated	201803059CD	Temwell's Print name	4549B 898M
Work Instruction No.	201803059CD	Date	Apr.12.2018



Item		Specify	Performance
Center Freq.(Fo) +/- 0.5 %		898 MHz	898 MHz
Insertion Loss		Typ. 4.0 dB	2.98 dB
-3 dB Bandwidth		Typ. 35 MHz	41.7 MHz
Sensitivity (Attenuation)	Fo - 100 MHz	Typ. 62 dBc	72 dBc
	Fo + 100 MHz	Typ. 42 dBc	47 dBc
	Fo - ()MHz	Typ. dBc	dBc
	Fo +()MHz	Typ. dBc	dBc
Return Loss		Min. 12 dB	27.7 dB
Ripple		< 1 dB	dB
Impedance		In / Out : 50 Ω	In / Out : 50 Ω
(4) Torque for Tuning Screw		> 60gf · cm	
(5) Temperature Condition:			
Operating Temperature		0°C ~ +60°C	
Storage Temperature		-20°C ~ +70°C	
(6) Input Power		> 0.5Watt	

(7) Measuring Circuit: ※Easy to match Impedance S11/S22 50Ω by parallel with about(- -).

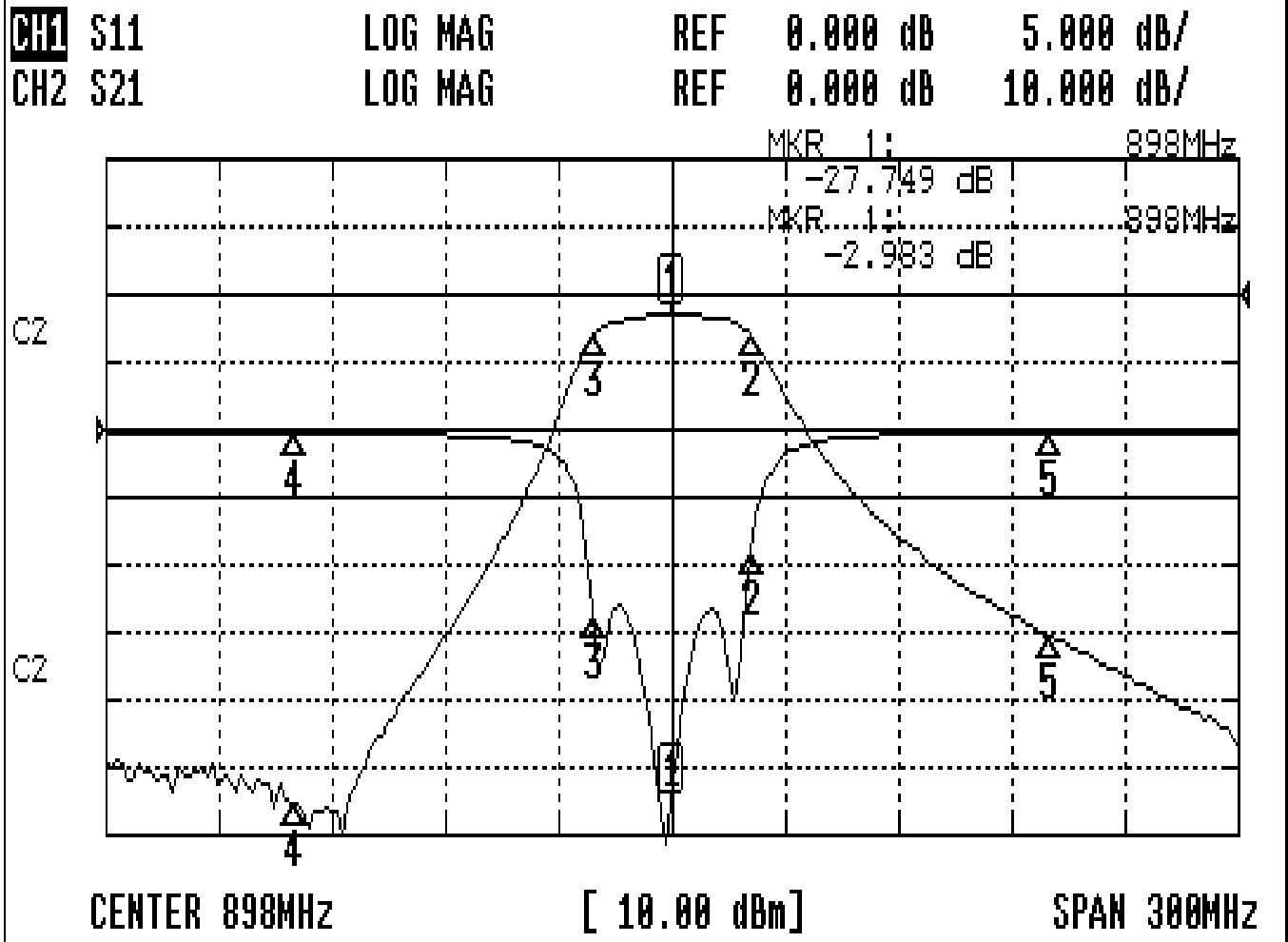


Approval	Supervisor	Designer	Aperture size
C.Y.Chang	C.K.Chang	C.H.Yeh	5W4S(3.8*4.5)(4.57) 5HW046RB3.2

TEMWELL CORPORATION

Performance-TFW4549B-898M

201803059CD



CH1 MARKER LIST

1:	898.000MHz	-27.749 dB
2:	918.900MHz	-19.340 dB
3:	877.130MHz	-13.730 dB
4:	798.000MHz	-0.252 dB
5:	998.000MHz	-0.251 dB

CH2 MARKER LIST

1:	898.000MHz	-2.983 dB
2:	918.900MHz	-11.940 dB
3:	877.130MHz	-11.011 dB
4:	798.000MHz	-75.251 dB
5:	998.000MHz	-50.592 dB