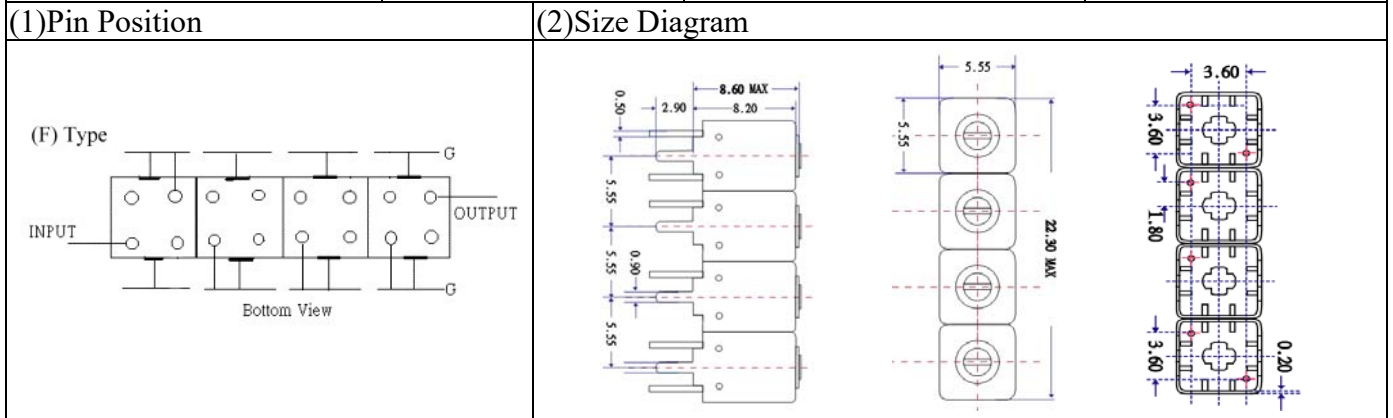


VHF UHF Helical Filter Specification Sheet

Customer Name		Temwell's Part No.	TFW4547F-1950M
Approval No. /dated		Temwell's Print name	4547F 1950M
Work Instruction No.	202006006CD	Date	Jul.03.2020

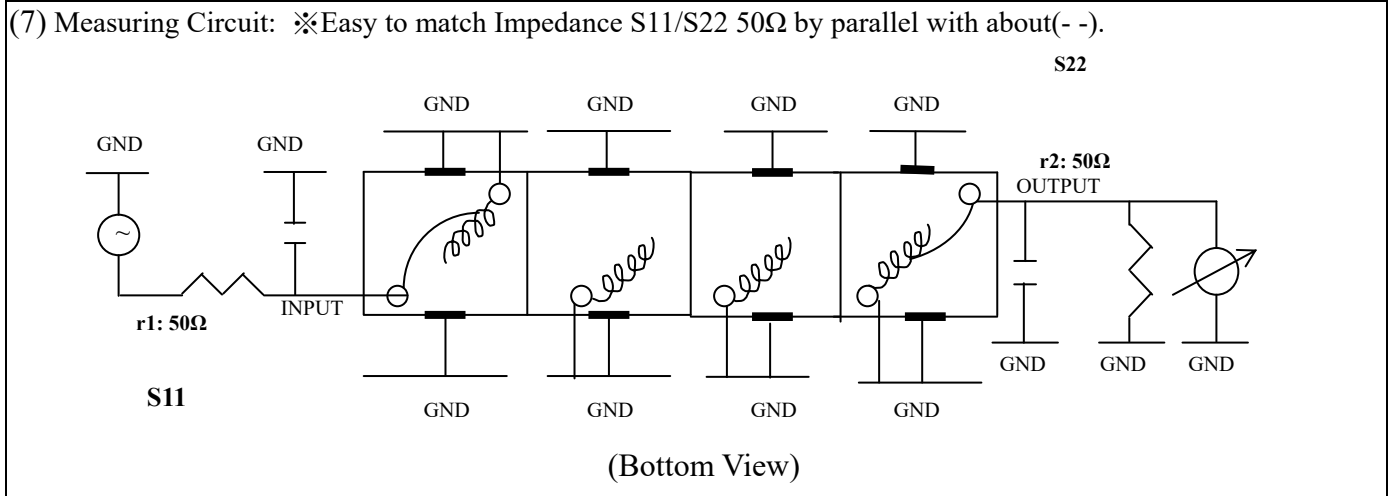


(3) Electric Characteristic			
Item	Specify	Performance	
Center Freq.(Fo) +/- 0.5 %	1950 MHz	1950 MHz	
Insertion Loss	Typ. 3.5 dB	2.34 dB	
-3 dB Bandwidth	Typ. 77 MHz	85.8 MHz	
Sensitivity (Attenuation)	Fo -200 MHz	Typ. 44 dBc	49 dBc
	Fo +200 MHz	Typ. 35 dBc	40 dBc
	Fo - ()MHz	Typ. dBc	dBc
	Fo +()MHz	Typ. dBc	dBc
Return Loss	Min. 12 dB	14.2 dB	
Ripple	< 1 dB	dB	
Impedance	In / Out : 50 Ω	In / Out : 50 Ω	

(4) Torque for Tuning Screw > 60gf · cm

(5) Temperature Condition:	
Operating Temperature	0°C ~ +60°C
Storage Temperature	-20°C ~ +70°C

(6) Input Power > 0.5Watt



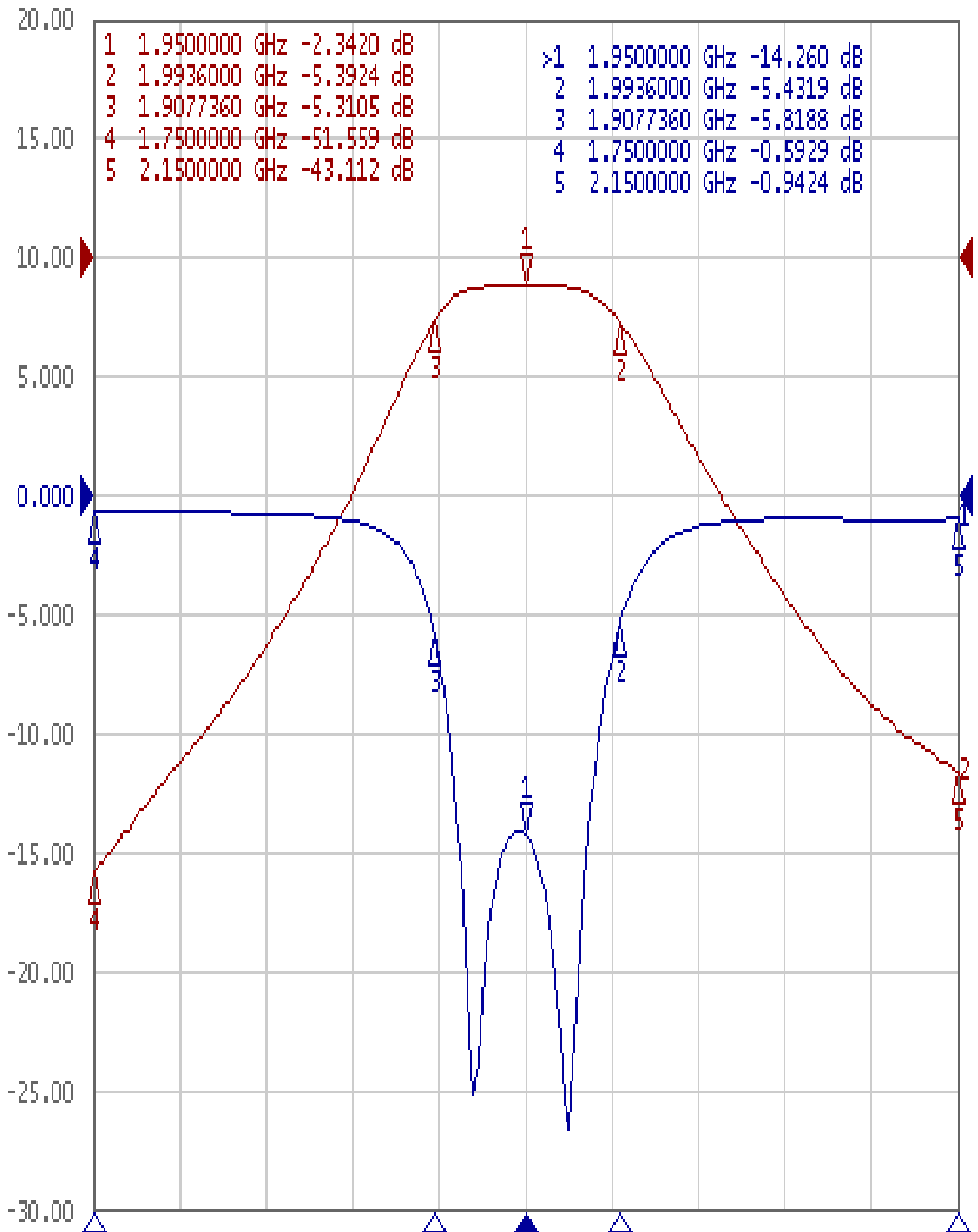
Approval	Supervisor	Designer	Aperture size
C.C.Chang	C.K.Chang	W.H.Wang	5W4S-3.8*5.1(5.12) 5HW046RB3.2(J1)

TEMWELL CORPORATION

Performance- TFW4547F-1950M

202006006CD

Tr1 S11 Log Mag 5.000dB/ Ref 0.000dB [F2]
Tr2 S21 Log Mag 10.000dB/ Ref 0.000dB [F2]



1 Center 1.95 GHz

IFBW 70 kHz

Span 400 MHz

Cor !