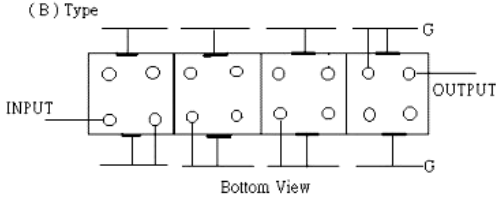
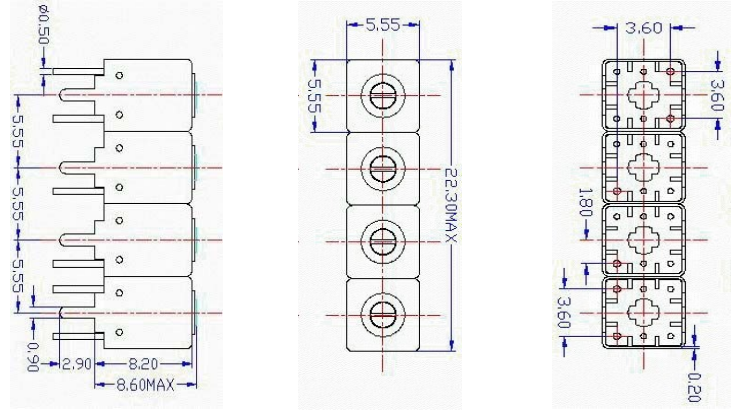


VHF UHF Helical Filter Specification Sheet

Customer Name		Temwell's Part No.	TFW4531B-875M
Approval No. /dated	20202019DC	Acceptable Specify Fo. Range	851~900MHz
Work Instruction No.	20202019DC	Date	Apr.24.2002

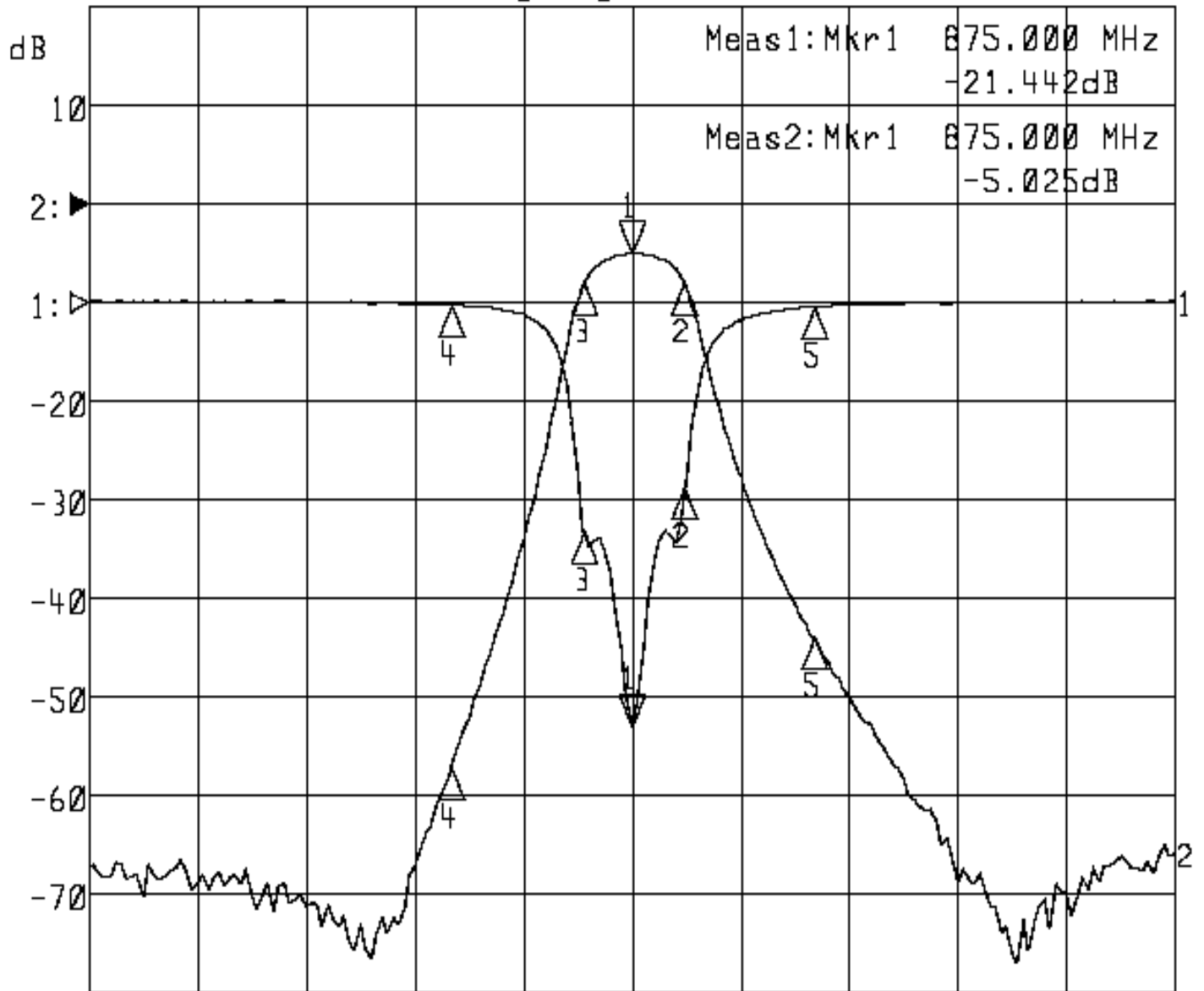
(1)Pin Position	(2)Size Diagram
 <p style="text-align: center;">Bottom View</p>	

(3)Electric Character			
Item		Specify	Performance
Center Freq.(Fo) +/- 0.5 %		875 MHz	875 MHz
Insertion Loss		Typ. 6.0 dB	5.0 dB
-3 dB Bandwidth		Typ. 24 MHz	28 MHz
Sensitivity (Attenuation)	Fo - 50 MHz	Typ. 50 dBc	52 dBc
	Fo + 50 MHz	Typ. 37 dBc	39 dBc
	Fo - ()MHz	Typ. dBc	dBc
	Fo +()MHz	Typ. dBc	dBc
Return Loss		Min. 12 dB	21 dB
Ripple		< 1 dB	dB
Impedance		In / Out : 50 Ω	In / Out : 50 Ω
(4)Torque for Tuning Screw		> 60gf • cm	
(5)Temperature Condition:			
Operating Temperature		0°C ~ +60°C	
Storage Temperature		-20°C ~ +70°C	
(6)Input Power		> 0.5Watt	
Approval	Supervisor	Designer	Aperture size
C.Y. Chang	C.S. Chang	Enlan	5W3S(3.8*3.7) 5HW024RB3
TEMWELL CORPORATION			

Performance-TFW4531B-875M

20202019DC

▷1:S11 Refl Port1 Log Mag 5.0 dB/ Ref 0.00 dB C
 ▶2:S21 Fwd Trans Log Mag 10.0 dB/ Ref 0.00 dB C



Center 875.000 MHz

Span 300.000 MHz

1:Mkr (MHz)	dB	2:Mkr (MHz)	dB
1> 875.0000	-21.442	1> 875.0000	-5.025
2: 889.6000	-9.393	2: 889.6000	-8.065
3: 861.8000	-11.631	3: 861.8000	-7.987
4: 825.0000	-0.097	4: 825.0000	-57.150
5: 925.0000	-0.217	5: 925.0000	-43.895