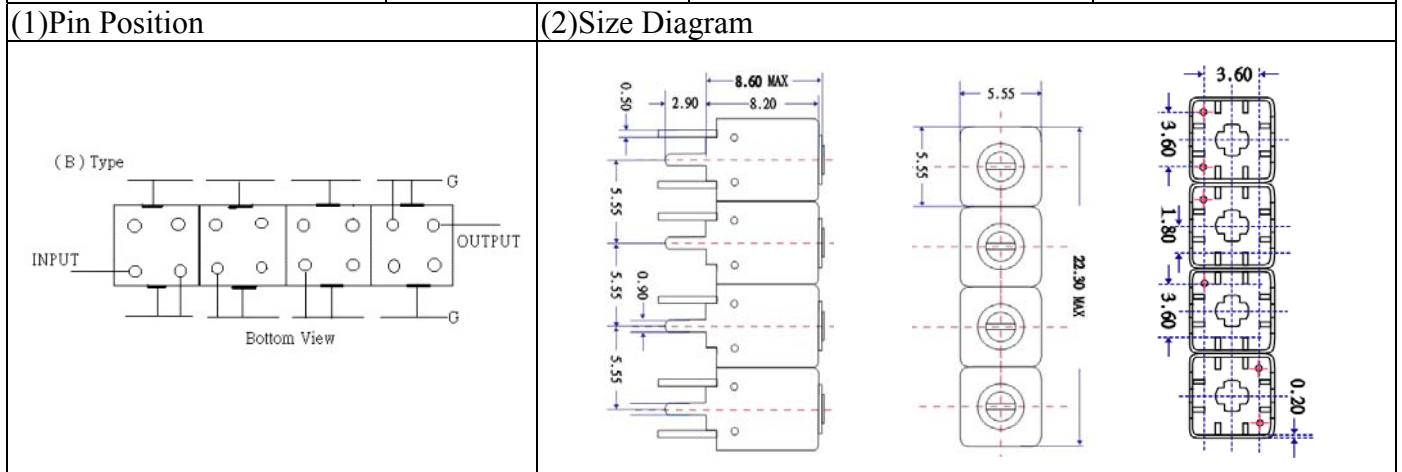


VHF UHF Helical Filter Specification Sheet

Customer Name		Temwell's Part No.	TFW4514B-815M
Approval No. /dated	201803054CD	Temwell's Print name	4514B 815M
Work Instruction No.	201803054CD	Date	Mar.30.2018



(3) Electric Characteristic			
Item		Specify	Performance
Center Freq.(Fo) +/- 0.5 %		815 MHz	815 MHz
Insertion Loss		Typ. 5.5 dB	4.25 dB
-3 dB Bandwidth		Typ. 23 MHz	26.8 MHz
Sensitivity (Attenuation)	Fo - 100 MHz	Typ. 57 dBc	67 dBc
	Fo + 100 MHz	Typ. 59 dBc	64 dBc
	Fo - ()MHz	Typ. dBc	dBc
	Fo +()MHz	Typ. dBc	dBc
Return Loss		Min. 12 dB	33.4 dB
Ripple		< 1 dB	dB
Impedance		In / Out : 50 Ω	In / Out : 50 Ω

(4) Torque for Tuning Screw > 60gf · cm

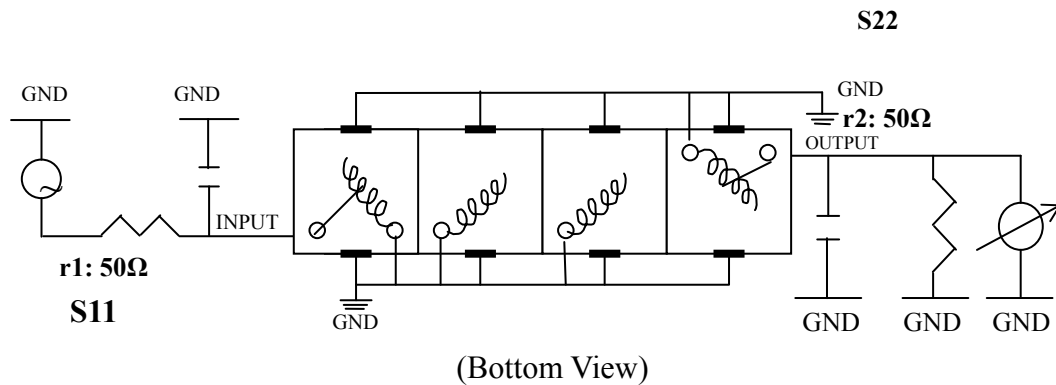
(5) Temperature Condition:

Operating Temperature 0°C ~ +60°C

Storage Temperature -20°C ~ +70°C

(6) Input Power > 0.5Watt

(7) Measuring Circuit: ※ Easy to match Impedance S11/S22 50Ω by parallel with about(-).



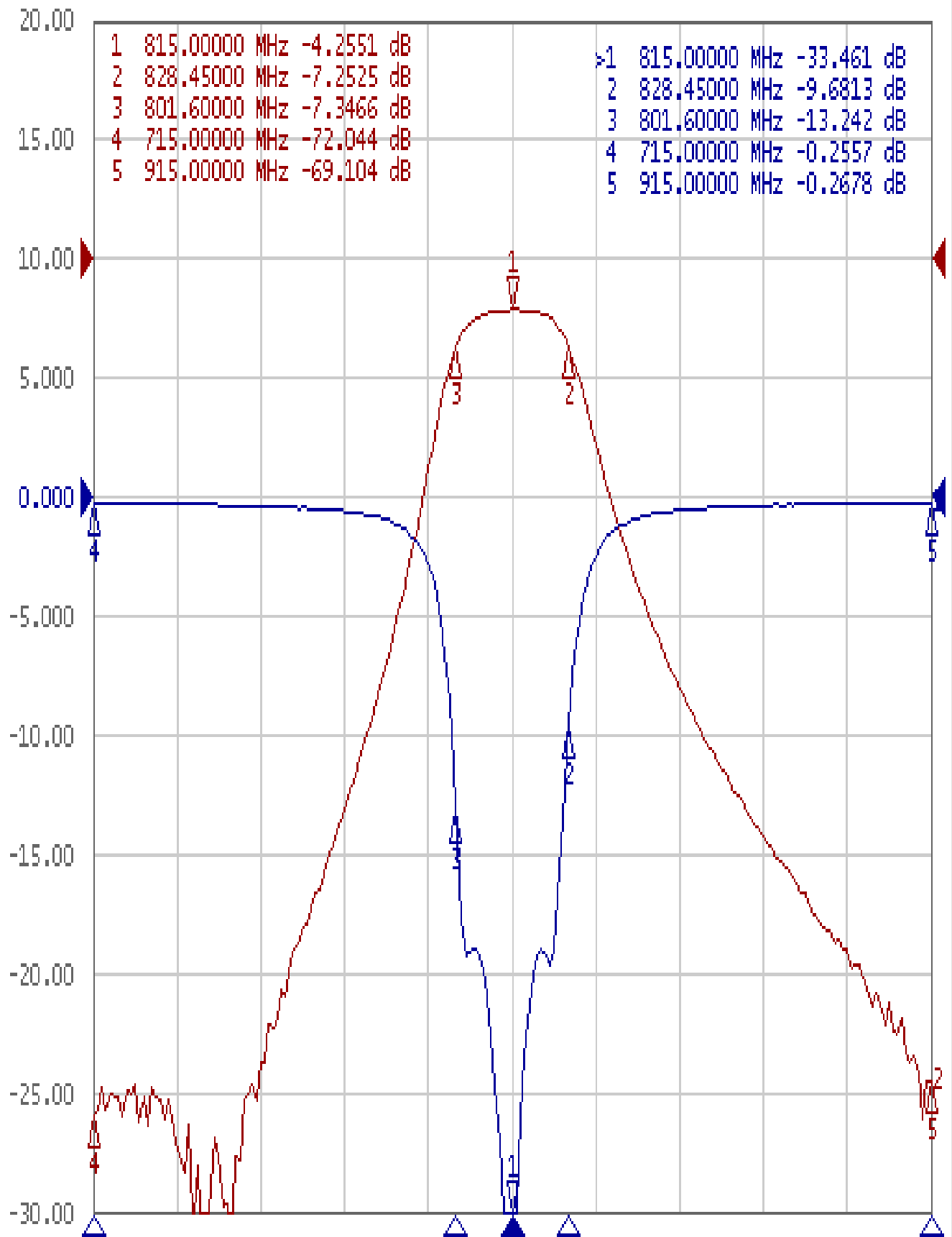
Approval	Supervisor	Designer	Aperture size
C.Y.Chang	C.K.Chang	W.W.Wang	5W4S(3.8*3.5)(3.53) 5HW020RB3.5

TEMWELL CORPORATION

Performance-TFW4514B-815M

201803054CD

Tr1 S11 Log Mag 5.000dB/ Ref 0.000dB [F2]
Tr2 S21 Log Mag 10.00dB/ Ref 0.000dB [F2]



1 Center 815 MHz

IFBW 70 kHz

Span 200 MHz Cor !