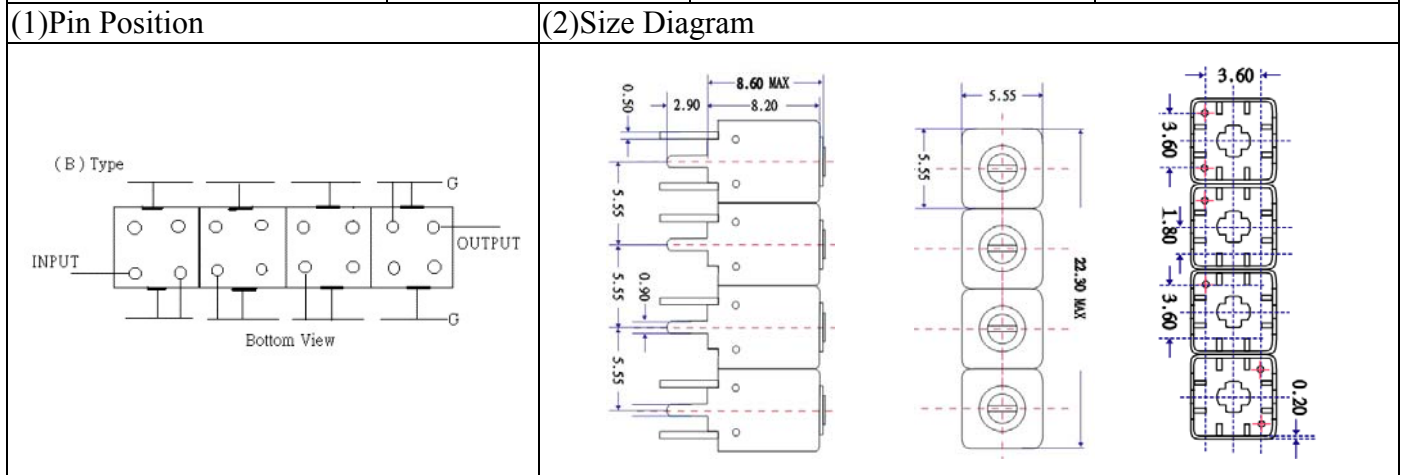


# VHF UHF Helical Filter Specification Sheet

Customer Name		Temwell's Part No.	TFW4504B-775M
Approval No. /dated	201803051CD	Temwell's Print name	4504B 755M
Work Instruction No.	201803051CD	Date	Mar.26.2018



### (3) Electric Charasteric

Item		Specify	Performance
Center Freq.(Fo ) +/- 0.5 %		775 MHz	775 MHz
Insertion Loss		Typ. 4.0 dB	2.85 dB
-3 dB Bandwidth		Typ. 33 MHz	37.7 MHz
Sensitivity (Attenuation)	Fo - 100 MHz	Typ. 57 dBc	67 dBc
	Fo + 100 MHz	Typ. 45 dBc	50 dBc
	Fo - ( )MHz	Typ. dBc	dBc
	Fo +( )MHz	Typ. dBc	dBc
Return Loss		Min. 12 dB	31.3 dB
Ripple		< 1 dB	dB
Impedance		In / Out : 50 Ω	In / Out : 50 Ω

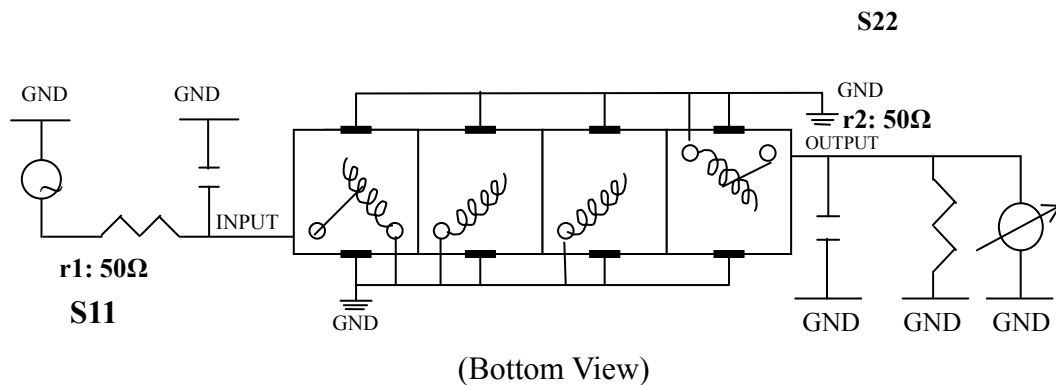
(4) Torque for Tuning Screw > 60gf · cm

### (5) Temperature Condition:

Operating Temperature	0°C ~ +60°C
Storage Temperature	-20°C ~ +70°C

(6) Input Power > 0.5Watt

(7) Measuring Circuit: ※Easy to match Impedance S11/S22 50Ω by parallel with about(- -).



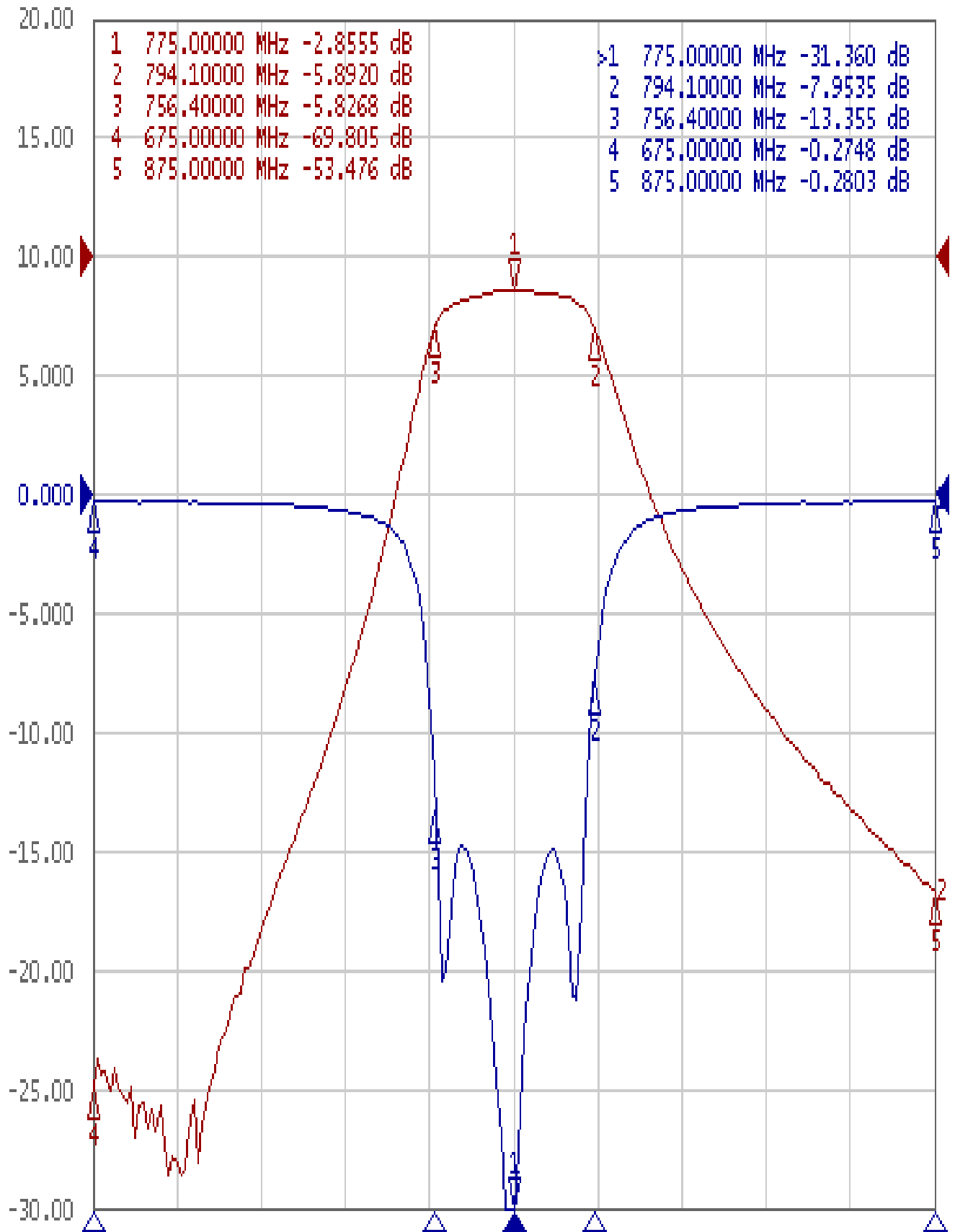
Approval C.Y.Chang	Supervisor C.K.Chang	Designer W.W.Wang	Aperture size 5W4S(3.8*4.5)(4.53) 5HW024RB3
-----------------------	-------------------------	----------------------	---

TEMWELL CORPORATION

# Performance-TFW4504B-775M

## 201803051CD

Tr1 S11 Log Mag 5.000dB/ Ref 0.000dB [F2]  
Tr2 S21 Log Mag 10.00dB/ Ref 0.000dB [F2]



1 Center 775 MHz

IFBW 70 kHz

Span 200 MHz Cor