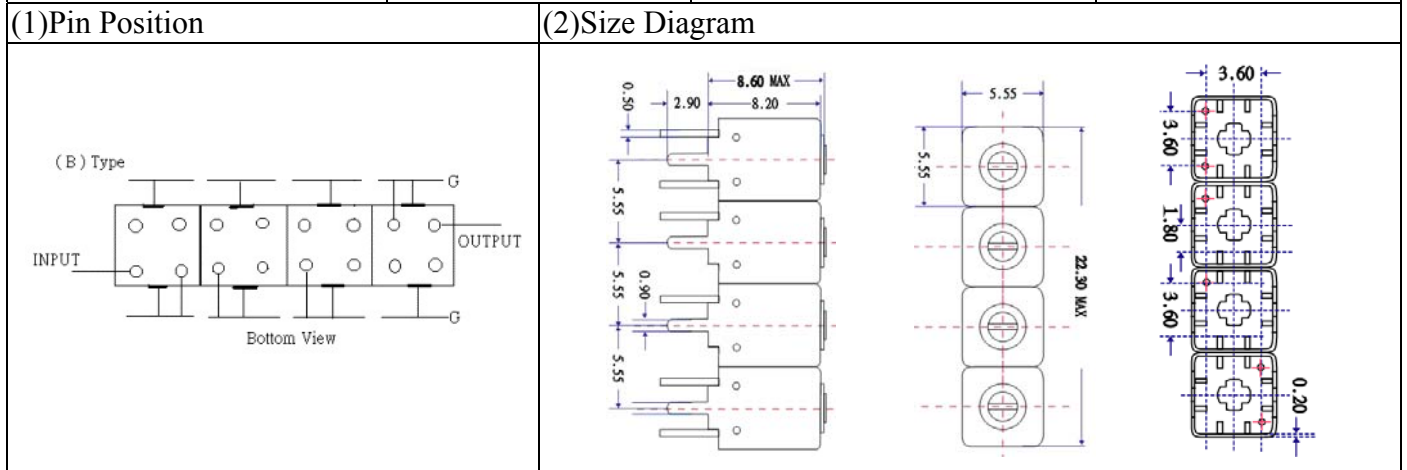


# VHF UHF Helical Filter Specification Sheet

Customer Name		Temwell's Part No.	TFW4494B-737M
Approval No. /dated	201801068CD	Temwell's Print name	4494B 737M
Work Instruction No.	201801068CD	Date	Apr.02.2018



### (3) Electric Characteristic

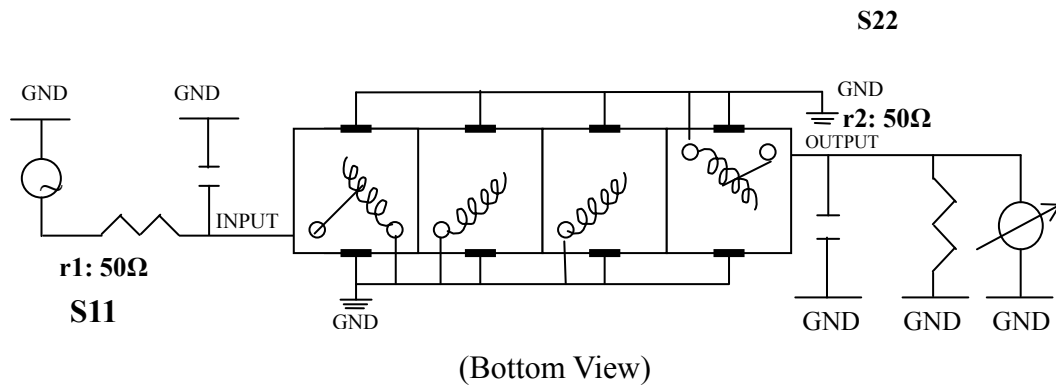
Item	Specify	Performance	
Center Freq.(Fo ) +/- 0.5 %	737 MHz	737 MHz	
Insertion Loss	Typ. 6.5 dB	5.52 dB	
-3 dB Bandwidth	Typ. 12 MHz	18.1 MHz	
Sensitivity (Attenuation)	Fo - 50 MHz	Typ. 60 dBc	70 dBc
	Fo + 50 MHz	Typ. 45 dBc	50 dBc
	Fo - ( )MHz	Typ. dBc	dBc
	Fo +( )MHz	Typ. dBc	dBc
Return Loss	Min. 12 dB	25.7 dB	
Ripple	< 1 dB	dB	
Impedance	In / Out : 50 Ω	In / Out : 50 Ω	
(4) Torque for Tuning Screw	> 60gf · cm		

### (5) Temperature Condition:

Operating Temperature	0°C ~ +60°C
Storage Temperature	-20°C ~ +70°C

### (6) Input Power

(7) Measuring Circuit: ※Easy to match Impedance S11/S22 50Ω by parallel with about(- -).

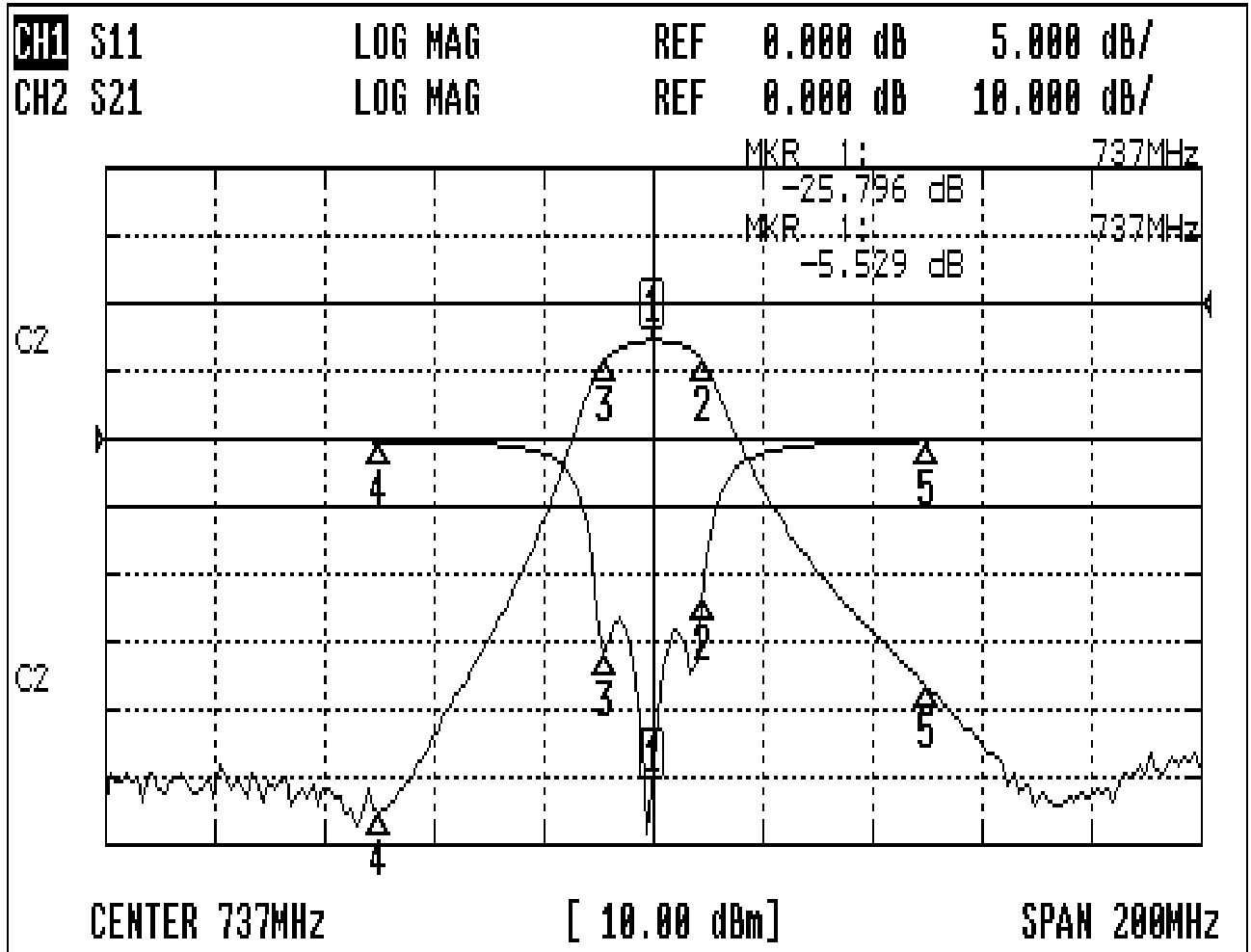


Approval	Supervisor	Designer	Aperture size
C.Y.Chang	C.K.Chang	C.H.Yeh	5W4S(3.8*3.5)(3.53) 5HW024RB3

TEMWELL CORPORATION

# Performance-TFW4494B-737M

## 201801068CD



### CH1 MARKER LIST

1:	737.000MHz	-25.796 dB
2:	746.110MHz	-11.857 dB
3:	727.920MHz	-15.558 dB
4:	687.000MHz	-0.151 dB
5:	787.000MHz	-0.147 dB
6:		
7:		
8:		
9:		
10:		

### CH2 MARKER LIST

1:	737.000MHz	-5.523 dB
2:	746.110MHz	-1.599 dB
3:	727.920MHz	-1.547 dB
4:	687.000MHz	-75.608 dB
5:	787.000MHz	-56.351 dB
6:		
7:		
8:		
9:		
10:		