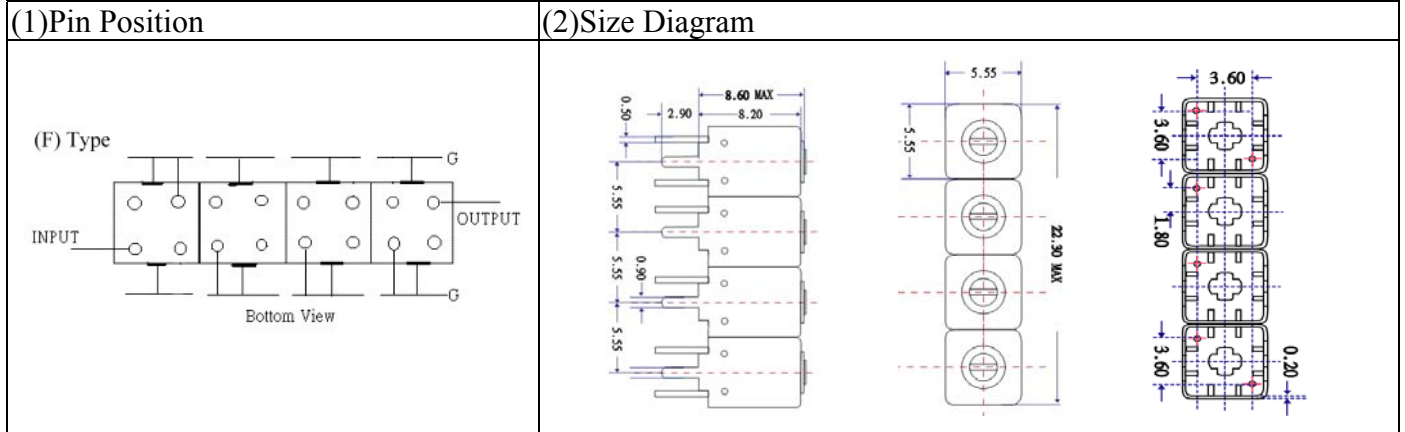


VHF UHF Helical Filter Specification Sheet

| | | | |
|----------------------|-------------|----------------------|---------------|
| Customer Name | | Temwell's Part No. | TFW4483F-680M |
| Approval No. /dated | 201801066CD | Temwell's Print name | 4480M 680M |
| Work Instruction No. | 201801066CD | Date | Mar.14.2018 |



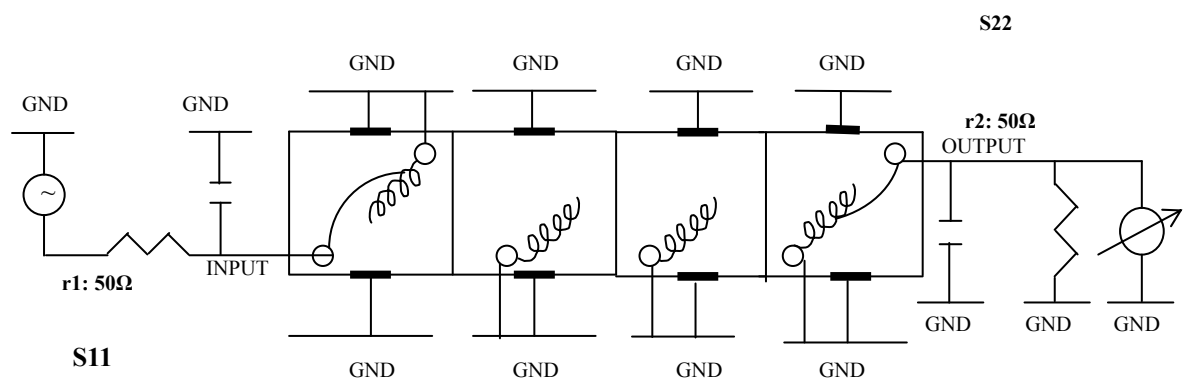
| (3) Electric Characteristic | | | |
|------------------------------|-----------------|-----------------|-----|
| Item | Specify | Performance | |
| Center Freq.(Fo) +/- 0.5 % | 680 MHz | 680 | MHz |
| Insertion Loss | Typ. 3.5 dB | 2.62 | dB |
| -3 dB Bandwidth | Typ. 30 MHz | 36.5 | MHz |
| Sensitivity (Attenuation) | Fo - 100 MHz | Typ. 61 | dBc |
| | Fo + 100 MHz | Typ. 58 | dBc |
| | Fo - ()MHz | Typ. | dBc |
| | Fo +()MHz | Typ. | dBc |
| Return Loss | Min. 12 dB | 22.2 | dB |
| Ripple | < 1 dB | | dB |
| Impedance | In / Out : 50 Ω | In / Out : 50 Ω | |

(4) Torque for Tuning Screw > 60gf · cm

| (5) Temperature Condition: | |
|----------------------------|---------------|
| Operating Temperature | 0°C ~ +60°C |
| Storage Temperature | -20°C ~ +70°C |

(6) Input Power > 0.5Watt

(7) Measuring Circuit: ※Easy to match Impedance S11/S22 50Ω by parallel with about(- -).



(Bottom View)

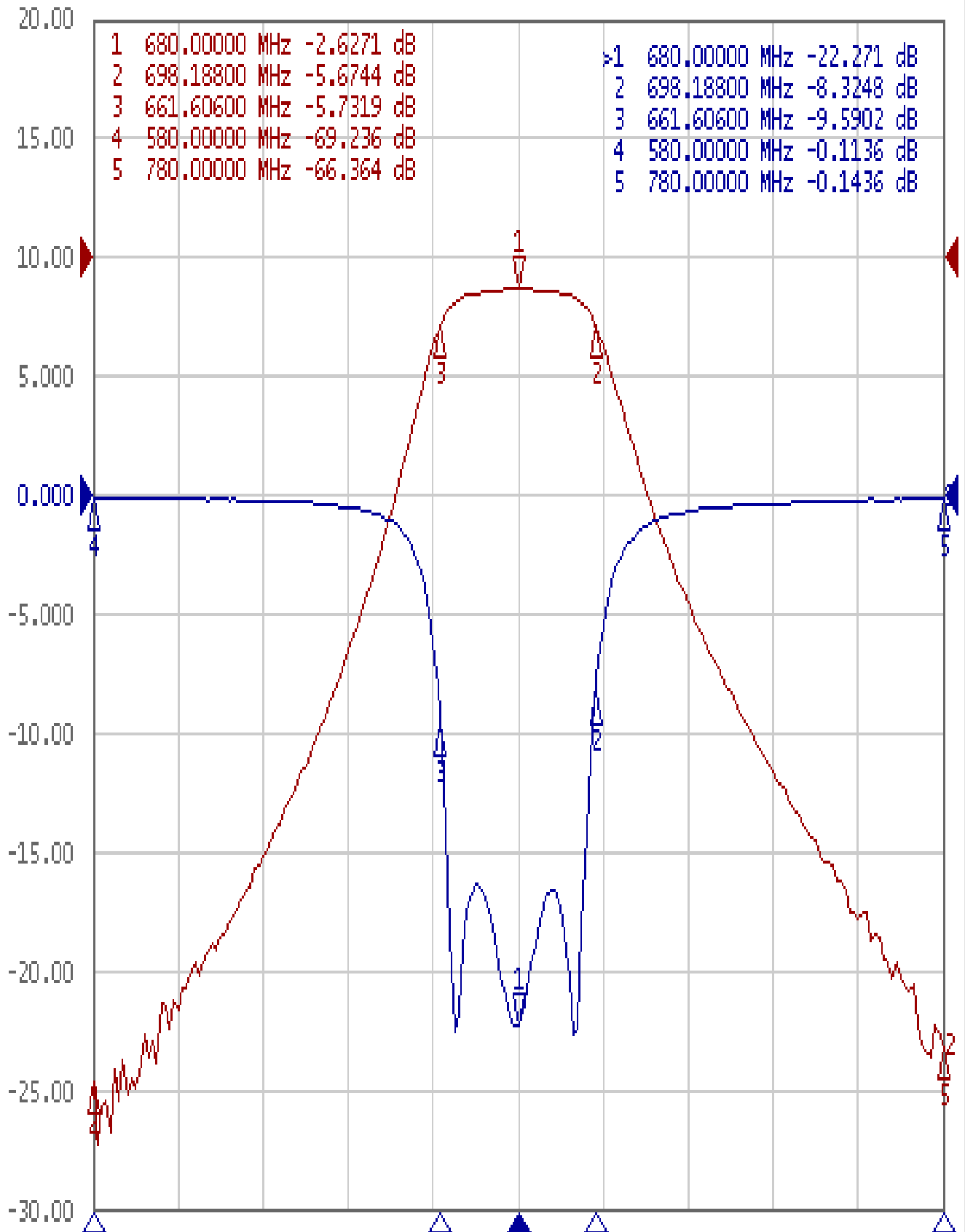
| | | | |
|-----------|------------|----------|----------------------------------|
| Approval | Supervisor | Designer | Aperture size |
| C.Y.Chang | C.K.Chang | W.W.Wand | 5W4S(3.8*5.1)(5.13) 5HW024RB3 |

TEMWELL CORPORATION

Performance-TFW4483F-680M

201801066CD

Tr1 S11 Log Mag 5.000dB/ Ref 0.000dB [F2]
Tr2 S21 Log Mag 10.000dB/ Ref 0.000dB [F2]



1 Center 680 MHz

IFBW 70 kHz

Span 200 MHz

Cor !